



## BNC Male to N Male Low Loss Cable Using LMR-240 Coax

### TECHNICAL DATA SHEET

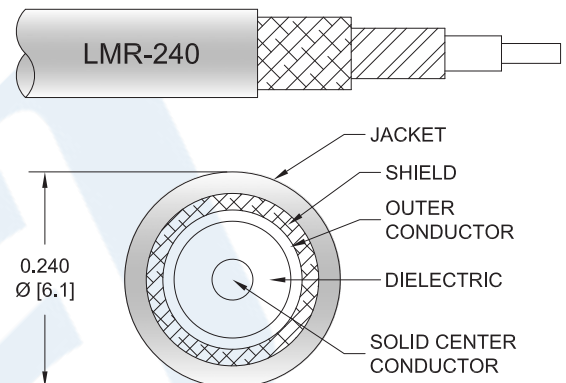
PE3C0190

#### Configuration

- Connector 1: BNC Male
- Connector 2: N Male
- Cable Type: LMR-240
- Coax Flex Type: Flexible

#### Features

- Max Frequency 4 GHz
- Shielding Effectivity > 90 dB
- 84% Phase Velocity
- Double Shielded
- PE Jacket



#### Applications

- General Purpose
- Laboratory Use

#### Description

Pasternack's PE3C0190 BNC male to type N male cable using LMR-240 coax is part of our full line of RF components available for same-day shipping. Pasternack's flexible RF cable assemblies are ideal for applications where tight bends and flexure are required. This Pasternack BNC to type N cable assembly has a male to male gender configuration with 50 ohm flexible LMR-240 coax. The PE3C0190 BNC male to type N male cable assembly operates to 4 GHz. The double shielding of this Pasternack cable assembly provides excellent shielding effectiveness of better than 90 dB.

Custom versions of most RF cable assemblies can be built and shipped same day. Custom cable assembly lengths can be obtained by specifying the desired length on the web site at time of order or by contacting a sales representative. Other available RF cable assembly value added services include connector orientation or clocking, heat shrink booting and custom labeling. RF testing can also be performed to document the electrical performance of your cable assembly.

Click the following link (or enter part number in "SEARCH" on website) to obtain additional part information including price, inventory and certifications: [BNC Male to N Male Low Loss Cable Using LMR-240 Coax PE3C0190](#)



## BNC Male to N Male Low Loss Cable Using LMR-240 Coax

### TECHNICAL DATA SHEET

**PE3C0190**

#### Electrical Specifications

Description	Minimum	Typical	Maximum	Units
Frequency Range	DC		4	GHz
VSWR			1.4:1	
Velocity of Propagation		84		%
RF Shielding	90			dB
Group Delay		1.21 [3.97]		ns/ft [ns/m]
Capacitance		24.2 [79.4]		pF/ft [pF/m]
Inductance		0.06 [0.2]		uH/ft [uH/m]
DC Resistance Inner Conductor		3.2 [10.5]		$\Omega$ /1000ft [ $\Omega$ /Km]
DC Resistance Outer Conductor		3.89 [12.76]		$\Omega$ /1000ft [ $\Omega$ /Km]
Jacket Spark			5,000	Vrms

#### Specifications by Frequency

Part Number	Length	Description	F1	F2	F3	F4	F5	Units	Weight (lbs)
		Frequency	100	250	500	1000	4000	MHz	
PE3C0190	Custom Lengths Available	Insertion Loss (Typ.)	0.02	0.04	0.06	0.08	0.16	dB/ft	
			0.08	0.13	0.19	0.26	0.53	dB/m	
PE3C0190-12	12 inch	Insertion Loss (Typ.)	0.23	0.24	0.26	0.28	0.37	dB	0.127
PE3C0190-24	24 inch	Insertion Loss (Typ.)	0.25	0.28	0.31	0.36	0.53	dB	0.16
PE3C0190-36	36 inch	Insertion Loss (Typ.)	0.27	0.32	0.37	0.44	0.69	dB	0.193
PE3C0190-48	48 inch	Insertion Loss (Typ.)	0.3	0.36	0.42	0.52	0.85	dB	0.226
PE3C0190-60	60 inch	Insertion Loss (Typ.)	0.32	0.4	0.48	0.6	1.01	dB	0.259

The insertion loss data for the base model does not include loss due to the connectors. Each length includes insertion loss due to the connectors.

Loss due to Connector 1:	0.1 dB
Loss due to Connector 2:	0.1 dB
Base Weight:	0.127 pounds
Additional Weight per Inch:	0.00275 pounds

#### Mechanical Specifications

##### Cable Assembly

Weight 0.127 lbs [57.61 g]

Click the following link (or enter part number in "SEARCH" on website) to obtain additional part information including price, inventory and certifications: [BNC Male to N Male Low Loss Cable Using LMR-240 Coax PE3C0190](#)



## BNC Male to N Male Low Loss Cable Using LMR-240 Coax

### TECHNICAL DATA SHEET

**PE3C0190**

#### Cable

Cable Type	LMR-240
Impedance	50 Ohms
Inner Conductor Type	Solid
Inner Conductor Material and Plating	Copper
Dielectric Type	PE (F)
Number of Shields	2
Shield Layer 1	Aluminum Tape
Shield Layer 2	Tinned Copper Braid
Jacket Material	PE, Black
Jacket Diameter	0.24 in [6.1 mm]
One Time Minimum Bend Radius	0.75 in [19.05 mm]
Repeated Minimum Bend Radius	2.5 in [63.5 mm]
Bending Moment	0.25 lbs-ft [0.34 N-m]
Flat Plate Crush	20 lbs/in [0.36 Kg/mm]
Tensile Strength	80 lbs [36.29 Kg]

#### Connectors

Description	Connector 1	Connector 2
Type	BNC Male Bayonet	N Male Threaded
Specification		MIL-STD-348A
Impedance	50 Ohms	50 Ohms
Contact Material and Plating	Brass, Gold	Brass, Gold
Contact Plating Specification		30 µin minimum
Dielectric Type	POM	PTFE
Body Material and Plating	Brass, Nickel	Brass, Nickel
Body Plating Specification		100 µin minimum
Coupling Nut Material and Plating		Brass, Nickel
Coupling Nut Plating Specification		100 µin minimum

#### Environmental Specifications

##### Temperature

Operating Range -40 to +85 deg C

**Compliance Certifications** (see [product page](#) for current document)

#### Plotted and Other Data

Notes:

Click the following link (or enter part number in "SEARCH" on website) to obtain additional part information including price, inventory and certifications: [BNC Male to N Male Low Loss Cable Using LMR-240 Coax PE3C0190](#)



## BNC Male to N Male Low Loss Cable Using LMR-240 Coax

### TECHNICAL DATA SHEET

**PE3C0190**

#### How to Order

Part Number Configuration:

**PE3C0190**

- **xx**

**uu**

Unit of Measure:  
cm = Centimeters  
<blank> = Inches  
Length  
Base Number

Example: PE3C0190-12 = 12 inches long cable  
PE3C0190-100cm = 100 cm long cable

BNC Male to N Male Low Loss Cable Using LMR-240 Coax from Pasternack Enterprises has same day shipment for domestic and International orders. Our RF, microwave and millimeter wave products maintain a 99.4% availability and are part of the broadest selection in the industry.

Click the following link (or enter part number in "SEARCH" on website) to obtain additional part information including price, inventory and certifications: [BNC Male to N Male Low Loss Cable Using LMR-240 Coax PE3C0190](https://www.pasternack.com/bnc-male-to-n-male-low-loss-cable-using-lmr-240-pe3c0190)

URL: <https://www.pasternack.com/bnc-male-to-n-male-low-loss-cable-using-lmr-240-pe3c0190-p.aspx>

The information contained in this document is accurate to the best of our knowledge and representative of the part described herein. It may be necessary to make modifications to the part and/or the documentation of the part, in order to implement improvements. Pasternack reserves the right to make such changes as required. Unless otherwise stated, all specifications are nominal. Pasternack does not make any representation or warranty regarding the suitability of the part described herein for any particular purpose, and Pasternack does not assume any liability arising out of the use of any part or documentation.

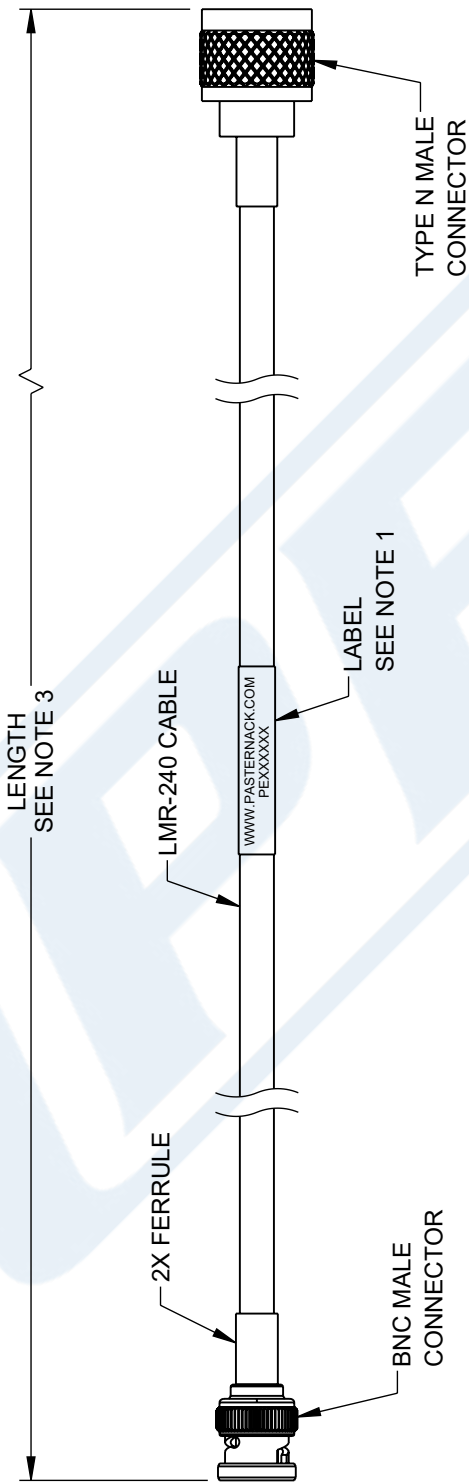
# PE3C0190 CAD Drawing

BNC Male to N Male Low Loss Cable Using LMR-240 Coax

F E D C B A

1 2 3 4 5 6

REVISION		DATE	CHANGED BY	APPROVED BY
ZONE	REV.	DESCRIPTION	DATE	APPROVED BY
	A	INITIAL RELEASE	10/09/2023	BPUCHASKI
				AGANWANI



TYPE N MALE CONNECTOR

LABEL SEE NOTE 1

LMR-240 CABLE

2X FERRULE

BNC MALE CONNECTOR

LENGTH SEE NOTE 3

## NOTES:

1. CABLE ASSEMBLY LENGTH LABEL PLACEMENT: 36 INCHES OR LESS, ONE LABEL APPROXIMATELY CENTERED. LONGER THAN 36 INCHES, TWO LABELS APPROXIMATELY 6 INCHES FROM EACH CONNECTOR.
2. CABLE ASSEMBLIES SHALL BE TESTED FOR CONTINUITY.
3. CABLE ASSEMBLY LENGTH DETERMINED BY ITEM PN AND DESCRIPTION

THE INFORMATION CONTAINED IN THIS DRAWING IS THE SOLE PROPERTY OF INFINITE ELECTRONICS, INC. ANY REPRODUCTION IN PART OR WHOLE WITHOUT THE WRITTEN PERMISSION OF INFINITE ELECTRONICS, INC. IS PROHIBITED. THESE COMMODITIES, TECHNOLOGY OR SOFTWARE WERE EXPORTED FROM THE UNITED STATES IN ACCORDANCE WITH THE EXPORT ADMINISTRATION REGULATIONS. DIVERSION CONTRARY TO U.S. LAW PROHIBITED.

UNLESS OTHERWISE SPECIFIED, LEADING DIMENSIONS ARE IN INCHES. DIMENSIONS IN PARENTHESES ARE IN MILLIMETERS.	TOLERANCES:
.X = ±.2 [5]	FRACTIONS ±.1/32
.XX = ±.02 [0.5]	ANGLES ± 1°
.XXX = ±.005 [0.13]	
CABLE LENGTH TOLERANCES:	
>12 [305] ≤ 61 [1524] = ±.1 [2.5] / -0	
>60 [1524] ≤ 120 [3048] = ±.4 [102] / -0	
>120 [3048] ≤ 300 [7620] = ±.6 [152] / -0	
>300 [7620] = ±.9% / -0	

ALL DIMENSIONS ARE FOR REFERENCE ONLY. UNDIMENSIONED CRITICAL FEATURES MAY VARY IN SIZE AND LOCATION. COLORS MAY VARY.

Website: [www.Pasternack.com](http://www.Pasternack.com)  
Phone: 1.866.727.8376 | 1.949.261.1920

INTERPRET ALL DIMENSIONS AND TOLERANCES PER ASME Y14.5

SCALE: NONE

SHEET: 1 OF 1

---

DESCRIPTION: BNC MALE TO N MALE LOW LOSS CABLE USING LMR-240 COAX

SIZE: A	CAGE CODE: 53919	DRAWN BY: BPUCHASKI	ITEM NO.: PE3C0190	REV: A
---------	------------------	---------------------	--------------------	--------