



1.0/2.3 Jack Bulkhead to 1.0/2.3 Jack Bulkhead Cable
24 Inch Length Using RG316 Coax, RoHS

TECHNICAL DATA SHEET

PE3C0441-24

Configuration

Connector 1	1.0/2.3 Jack Bulkhead
Connector 2	1.0/2.3 Jack Bulkhead
Cable Type	RG316
Impedance	50 Ohms

Mechanical Specifications

Size

Length	24 in [609.6 mm]
Diameter	0.275 in [6.99 mm]
Weight	0.023 lbs [10.43 g]
Cable Color	Tan

Cable

Cable Type	RG316
Inner Conductor Type	Stranded
Cable Inner Conductor	Copper Clad Steel, Silver
No of Shields	1
Dielectric Type	PTFE
Jacket Material	FEP
Jacket Diameter	0.098 in [2.49 mm]

Connector 1

Type	1.0/2.3 Jack Bulkhead
Configuration	Straight
Mount Method	Bulkhead
Inner Conductor Material and Plating	Gold
Body Material and Plating	Brass, Gold
Dielectric Type	PTFE

Connector 2

Type	1.0/2.3 Jack Bulkhead
Configuration	Straight
Mount Method	Bulkhead
Inner Conductor Material and Plating	Gold
Body Material and Plating	Brass, Gold
Dielectric Type	PTFE

Compliance Certifications (visit www.Pasternack.com for current document)

RoHS Compliant	Yes
----------------	-----

Click the following link (or enter part number in "SEARCH" on website) to obtain additional part information including price, inventory and certifications: [1.0/2.3 Jack Bulkhead to 1.0/2.3 Jack Bulkhead Cable 24 Inch Length Using RG316 Coax, RoHS PE3C0441-24](#)



1.0/2.3 Jack Bulkhead to 1.0/2.3 Jack Bulkhead Cable
24 Inch Length Using RG316 Coax, RoHS

TECHNICAL DATA SHEET

PE3C0441-24

Plotted and Other Data

Notes:

- Values at +25 °C, sea level

1.0/2.3 Jack Bulkhead to 1.0/2.3 Jack Bulkhead Cable 24 Inch Length Using RG316 Coax, RoHS from Pasternack Enterprises has same day shipment for domestic and International orders. Our RF, microwave and millimeter wave products maintain a 99% availability and are part of the broadest selection in the industry.

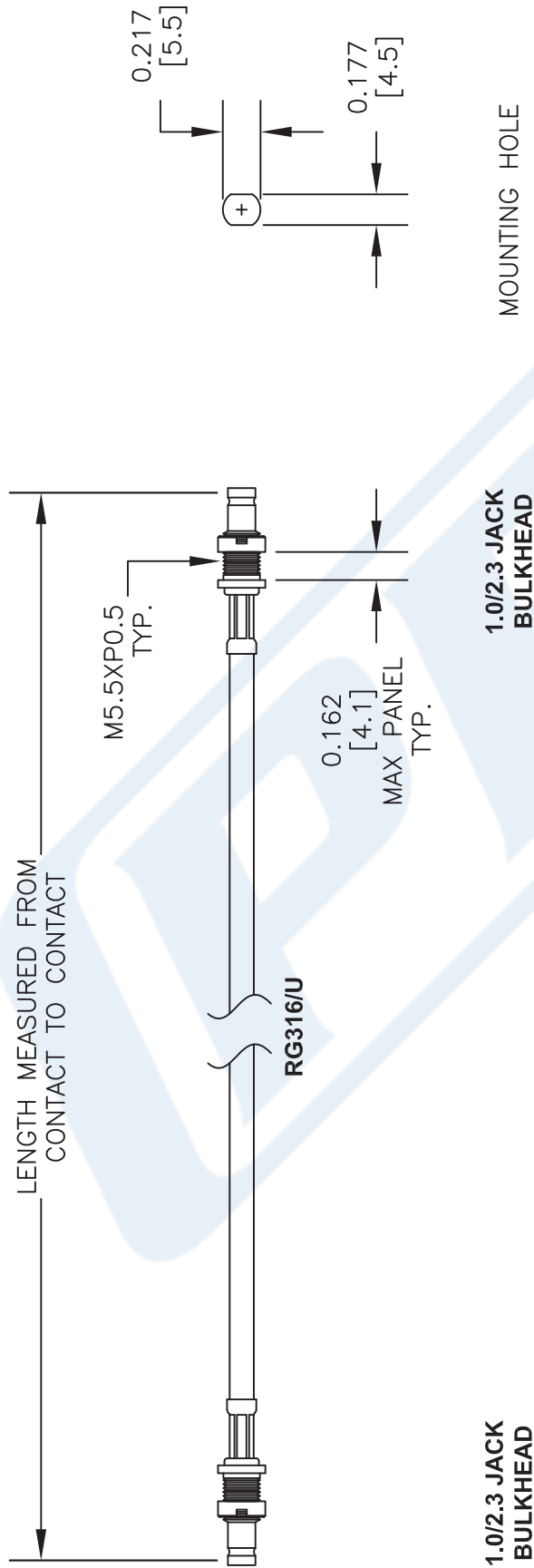
Click the following link (or enter part number in "SEARCH" on website) to obtain additional part information including price, inventory and certifications: [1.0/2.3 Jack Bulkhead to 1.0/2.3 Jack Bulkhead Cable 24 Inch Length Using RG316 Coax, RoHS PE3C0441-24](http://www.pasternack.com/1.0-2.3-jack-1.0-2.3-jack-rg316u-cable-assembly-pe3c0441-24-p.aspx)

URL: <http://www.pasternack.com/1.0-2.3-jack-1.0-2.3-jack-rg316u-cable-assembly-pe3c0441-24-p.aspx>

The information contained in this document is accurate to the best of our knowledge and representative of the part described herein. It may be necessary to make modifications to the part and/or the documentation of the part, in order to implement improvements. Pasternack reserves the right to make such changes as required. Unless otherwise stated, all specifications are nominal. Pasternack does not make any representation or warranty regarding the suitability of the part described herein for any particular purpose, and Pasternack does not assume any liability arising out of the use of any part or documentation.

PE3C0441-24 CAD Drawing

1.0/2.3 Jack Bulkhead to 1.0/2.3 Jack Bulkhead Cable
24 Inch Length Using RG316 Coax, RoHS



Part Number Configuration		How To Order	
PE3	zzz yv - xx uu	Part # Ext.	Length In Inches
00 - 99999	LF = RoHS Compliant < Blank > = Standard	-12	12"
	Note: LF applies only to RF cables	-24	24"
		-36	36"
		-48	48"
		-60	60"
		-xx	Custom Length
		Part # Ext.	Length In Centimeters
		-25CM	25Cm
		-50CM	50Cm
		-75CM	75Cm
		-100CM	100Cm
		-125CM	125Cm
		-xxCM	Custom Length

NOTES:
1. UNLESS OTHERWISE SPECIFIED ALL DIMENSIONS ARE NOMINAL.
2. ALL SPECIFICATIONS ARE SUBJECT TO CHANGE WITHOUT NOTICE AT ANY TIME.
3. DIMENSIONS ARE IN INCHES [mm].
4. LENGTH TOLERANCE IS ± 1.5% OR 3/8", WHICHEVER IS GREATER.

DWG TITLE
PE3C0441

PE PASTERNAK®
Pasternack Enterprises, Inc.
P.O. Box 16759 | Irvine | CA | 92623
Phone: (949) 261-1920 | Fax: (949) 261-7451
Website: www.pasternack.com | E-Mail: sales@pasternack.com

FSCM NO. 53919	CAD FILE 091813	SCALE N/A	SIZE A	2233
----------------	-----------------	-----------	--------	------