



N Male to N Male Low Loss Cable Using LMR-400-UF Coax

TECHNICAL DATA SHEET

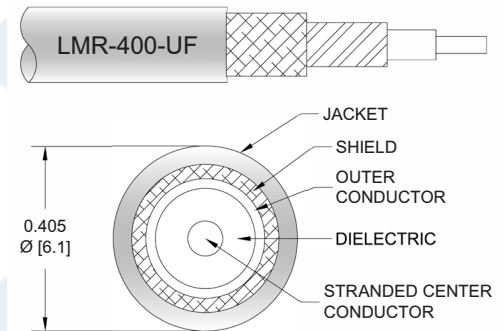
PE3C0990

Configuration

- Connector 1: N Male
- Connector 2: N Male
- Cable Type: LMR-400-UF
- Coax Flex Type: Flexible

Features

- Shielding Effectivity > 90 dB
- 85% Phase Velocity
- Double Shielded
- TPE Jacket



Applications

- General Purpose
- Laboratory Use

Description

Pasternack's PE3C0990 type N male to type N male cable using LMR-400-UF coax is part of our full line of RF components available for same-day shipping. Pasternack's flexible RF cable assemblies are ideal for applications where tight bends and flexure are required. This Pasternack type N to type N cable assembly has a male to male gender configuration with 50 ohm flexible LMR-400-UF coax. The double shielding of this Pasternack cable assembly provides excellent shielding effectiveness of better than 90 dB.

Custom versions of most RF cable assemblies can be built and shipped same day. Custom cable assembly lengths can be obtained by specifying the desired length on the web site at time of order or by contacting a sales representative. Other available RF cable assembly value added services include connector orientation or clocking, heat shrink booting and custom labeling. RF testing can also be performed to document the electrical performance of your cable assembly.

Click the following link (or enter part number in "SEARCH" on website) to obtain additional part information including price, inventory and certifications: [N Male to N Male Low Loss Cable Using LMR-400-UF Coax PE3C0990](#)



N Male to N Male Low Loss Cable Using LMR-400-UF Coax

TECHNICAL DATA SHEET

PE3C0990

Electrical Specifications

Description	Minimum	Typical	Maximum	Units
Velocity of Propagation		85		%
RF Shielding	90			dB
Group Delay		1.2 [3.94]		ns/ft [ns/m]
Capacitance		23.9 [78.41]		pF/ft [pF/m]
Inductance		0.06 [0.2]		uH/ft [uH/m]
DC Resistance Inner Conductor		1.07 [3.51]		Ω /1000ft [Ω /Km]
DC Resistance Outer Conductor		1.65 [5.41]		Ω /1000ft [Ω /Km]
Jacket Spark			8,000	Vrms

Mechanical Specifications

Cable Assembly

Weight 0.311 lbs [141.07 g]

Cable

Cable Type LMR-400-UF
 Impedance 50 Ohms
 Inner Conductor Type Stranded
 Inner Conductor Material and Plating Copper
 Dielectric Type PE (F)
 Number of Shields 2
 Shield Layer 1 Aluminum Tape
 Shield Layer 2 Tinned Copper Braid
 Jacket Material TPE, Black
 Jacket Diameter 0.405 in [10.29 mm]

One Time Minimum Bend Radius 1 in [25.4 mm]
 Repeated Minimum Bend Radius 4 in [101.6 mm]
 Bending Moment 0.38 lbs-ft [0.52 N-m]
 Flat Plate Crush 20 lbs/in [0.36 Kg/mm]
 Tensile Strength 160 lbs [72.57 Kg]

Click the following link (or enter part number in "SEARCH" on website) to obtain additional part information including price, inventory and certifications: [N Male to N Male Low Loss Cable Using LMR-400-UF Coax PE3C0990](#)



N Male to N Male Low Loss Cable Using LMR-400-UF Coax

TECHNICAL DATA SHEET

PE3C0990

Connectors

Description	Connector 1	Connector 2
Type	N Male Threaded	N Male Threaded
Specification	MIL-STD-348	MIL-STD-348
Impedance	50 Ohms	50 Ohms
Contact Material and Plating	Brass, Gold	Brass, Gold
Contact Plating Specification	ASTM-B488	ASTM-B488
Dielectric Type	PTFE	PTFE
Body Material and Plating	Brass, Nickel	Brass, Nickel
Body Plating Specification	ASTM-B689	ASTM-B689
Coupling Nut Material and Plating	Brass, Nickel	Brass, Nickel
Coupling Nut Plating Specification	ASTM-B689	ASTM-B689

Environmental Specifications

Temperature

Operating Range -40 to +85 deg C

Compliance Certifications (see [product page](#) for current document)

Plotted and Other Data

Notes:

- Values at 25°C, sea level.

Click the following link (or enter part number in "SEARCH" on website) to obtain additional part information including price, inventory and certifications: [N Male to N Male Low Loss Cable Using LMR-400-UF Coax PE3C0990](#)



N Male to N Male Low Loss Cable Using LMR-400-UF Coax

TECHNICAL DATA SHEET

PE3C0990

How to Order

Part Number Configuration:

PE3C0990

- **xx**

uu

Unit of Measure:
cm = Centimeters
<blank> = Inches
Length
Base Number

Example: PE3C0990-12 = 12 inches long cable
PE3C0990-100cm = 100 cm long cable

N Male to N Male Low Loss Cable Using LMR-400-UF Coax from Pasternack Enterprises has same day shipment for domestic and International orders. Our RF, microwave and millimeter wave products maintain a 99.4% availability and are part of the broadest selection in the industry.

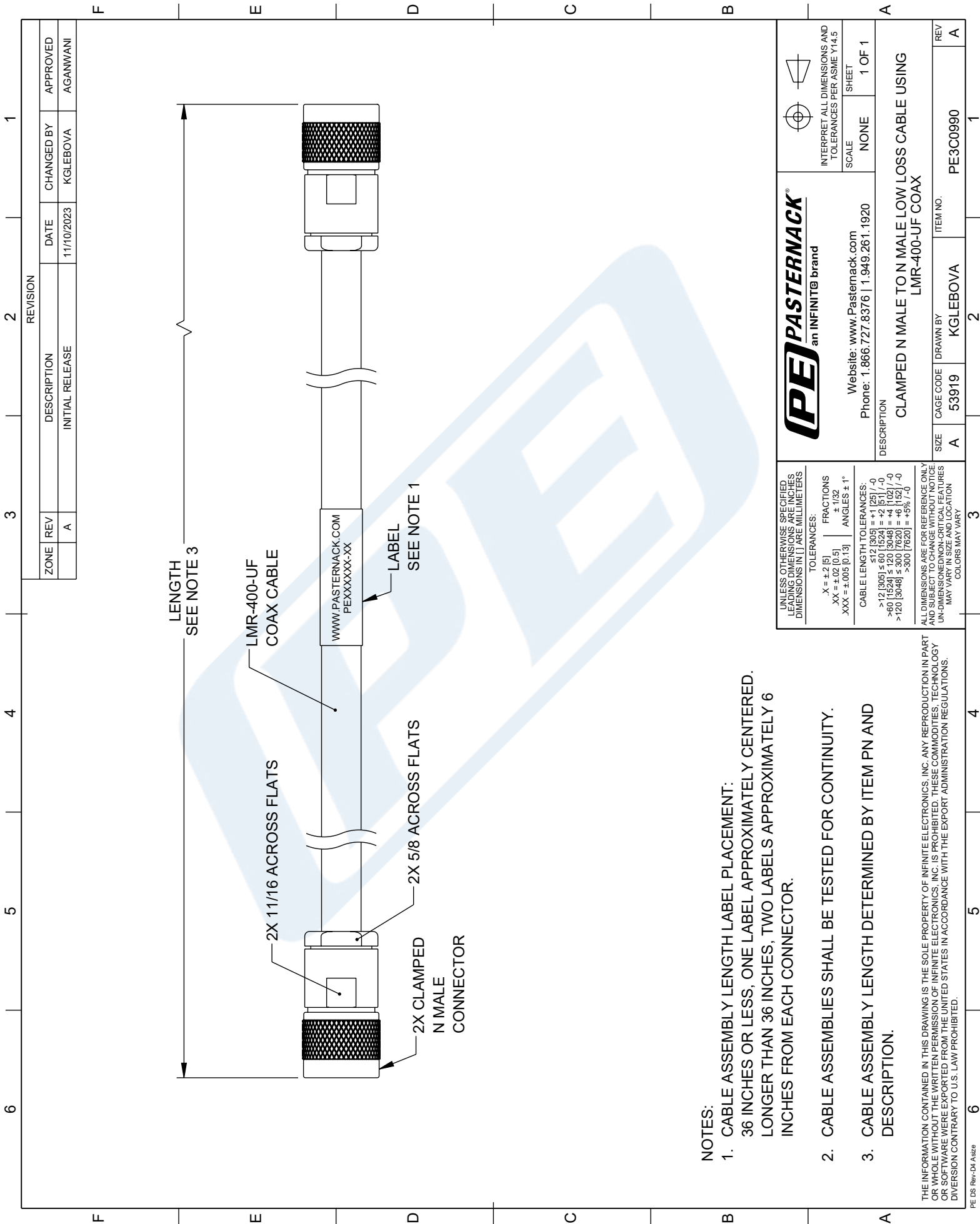
Click the following link (or enter part number in "SEARCH" on website) to obtain additional part information including price, inventory and certifications: [N Male to N Male Low Loss Cable Using LMR-400-UF Coax PE3C0990](#)

URL: <https://www.pasternack.com/n-male-to-n-male-low-loss-cable-using-lmr-400-uf-pe3c0990-p.aspx>

The information contained in this document is accurate to the best of our knowledge and representative of the part described herein. It may be necessary to make modifications to the part and/or the documentation of the part, in order to implement improvements. Pasternack reserves the right to make such changes as required. Unless otherwise stated, all specifications are nominal. Pasternack does not make any representation or warranty regarding the suitability of the part described herein for any particular purpose, and Pasternack does not assume any liability arising out of the use of any part or documentation.

PE3C0990 CAD Drawing

N Male to N Male Low Loss Cable Using LMR-400-UF Coax



NOTES:

1. CABLE ASSEMBLY LENGTH LABEL PLACEMENT:
36 INCHES OR LESS, ONE LABEL APPROXIMATELY CENTERED.
LONGER THAN 36 INCHES, TWO LABELS APPROXIMATELY 6 INCHES FROM EACH CONNECTOR.
2. CABLE ASSEMBLIES SHALL BE TESTED FOR CONTINUITY.
3. CABLE ASSEMBLY LENGTH DETERMINED BY ITEM PN AND DESCRIPTION.

THE INFORMATION CONTAINED IN THIS DRAWING IS THE SOLE PROPERTY OF INFINITE ELECTRONICS, INC. ANY REPRODUCTION IN PART OR WHOLE WITHOUT THE WRITTEN PERMISSION OF INFINITE ELECTRONICS, INC. IS PROHIBITED. THESE COMMODITIES, TECHNOLOGY OR SOFTWARE WERE EXPORTED FROM THE UNITED STATES IN ACCORDANCE WITH THE EXPORT ADMINISTRATION REGULATIONS. DIVERSION CONTRARY TO U.S. LAW PROHIBITED.

ZONE	REV	DESCRIPTION	DATE	CHANGED BY	APPROVED
	A	INITIAL RELEASE	11/10/2023	KGLEBOVA	AGANWANI

<p>PASTERNAK an INFINIT@ brand</p> <p>Website: www.Pasternack.com Phone: 1.866.727.8376 1.949.261.1920</p>	<p>INTERPRET ALL DIMENSIONS AND TOLERANCES PER ASME Y14.5</p>
	<p>SCALE: NONE</p> <p>SHEET: 1 OF 1</p>
<p>DESCRIPTION: CLAMPED N MALE TO N MALE LOW LOSS CABLE USING LMR-400-UF COAX</p>	
<p>SIZE: A</p> <p>CAGE CODE: 53919</p> <p>DRAWN BY: KGLEBOVA</p> <p>ITEM NO.: PE3C0990</p>	<p>REV: A</p>

<p>UNLESS OTHERWISE SPECIFIED, LENGTH DIMENSIONS ARE IN INCHES. DIMENSIONS IN [] ARE MILLIMETERS.</p>	<p>TOLERANCES:</p> <p>X = ±.2 [5] FRACTIONS ±.1/32</p> <p>XX = ±.02 [0.5] ANGLES ± 1°</p> <p>XXX = ±.005 [0.13]</p>
<p>CABLE LENGTH TOLERANCES:</p> <p>>12 [305] ≤ 67 [169] = ±.25 / -0</p> <p>>60 [1524] ≤ 120 [3048] = ±.4 [102] / -0</p> <p>>120 [3048] ≤ 300 [7620] = ±.6 [152] / -0</p> <p>>300 [7620] = ±.9% / -0</p>	<p>ALL DIMENSIONS ARE FOR REFERENCE ONLY. UNDIMENSIONED CRITICAL FEATURES MAY VARY IN SIZE AND LOCATION. COLORS MAY VARY.</p>