

SMA Male Right Angle to Reverse Polarity TNC Plug
Right Angle Low Loss Cable Using LMR-100A-UF Coax



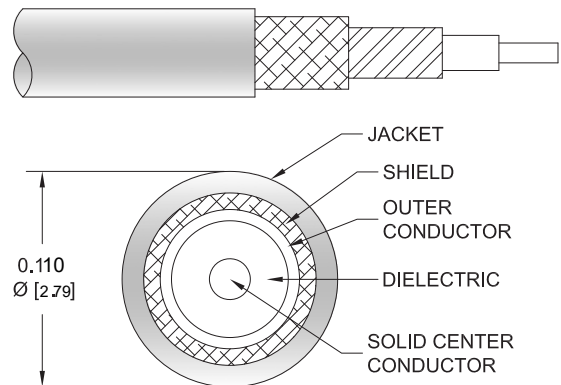
PE3C10254

Configuration

- Connector 1: SMA Male Right Angle
- Connector 2: TNC Plug Reverse Polarity Right Angle
- Cable Type: LMR-100A-UF
- Coax Flex Type: Flexible

Features

- Shielding Effectivity > 90 dB
- 66% Phase Velocity
- Double Shielded
- TPE Jacket



Applications

- General Purpose
- Laboratory Use

Description

Pasternack's PE3C10254 SMA male right angle to reverse polarity TNC plug right angle cable using LMR-100A-UF coax is part of our full line of RF components available for same-day shipping. Pasternack's flexible RF cable assemblies are ideal for applications where tight bends and flexure are required. This Pasternack SMA to reverse polarity TNC cable assembly has a male to plug gender configuration with 50 ohm flexible LMR-100A-UF coax. The right angle SMA and right angle TNC interfaces on the LMR-100A-UF cable allow for easier connections in tight spaces. The double shielding of this Pasternack cable assembly provides excellent shielding effectiveness of better than 90 dB.

Custom versions of most RF cable assemblies can be built and shipped same day. Custom cable assembly lengths can be obtained by specifying the desired length on the web site at time of order or by contacting a sales representative. Other available RF cable assembly value added services include connector orientation or clocking, heat shrink booting and custom labeling. RF testing can also be performed to document the electrical performance of your cable assembly.

Electrical Specifications

Description	Minimum	Typical	Maximum	Units
Velocity of Propagation		66		%
RF Shielding	90			dB
Group Delay		1.54 [5.05]		ns/ft [ns/m]
Capacitance		30.8 [101.05]		pF/ft [pF/m]
Inductance		0.077 [0.25]		uH/ft [uH/m]
DC Resistance Inner Conductor		81 [265.75]		Ohms/1000ft [Ohms/Km]
DC Resistance Outer Conductor		9.5 [31.17]		Ohms/1000ft [Ohms/Km]

SMA Male Right Angle to Reverse Polarity TNC Plug
Right Angle Low Loss Cable Using LMR-100A-UF Coax



PE3C10254

Electrical Specifications

Description	Minimum	Typical	Maximum	Units
Jacket Spark			2,000	Vrms

Mechanical Specifications

Cable Assembly

Width/Diameter	0.5 in [12.7 mm]
Weight	0.12 lbs [54.43 g]

Cable

Cable Type	LMR-100A-UF
Impedance	50 Ohms
Inner Conductor Type	Stranded
Inner Conductor Material and Plating	Copper
Dielectric Type	PE
Number of Shields	2
Shield Layer 1	Aluminum Tape
Shield Layer 2	Tinned Copper
Jacket Material	TPE, Black
Jacket Diameter	0.11 in [2.79 mm]
One Time Minimum Bend Radius	0.25 in [6.35 mm]
Repeated Minimum Bend Radius	1 in [25.4 mm]
Bending Moment	0.1 lbs-ft [0.14 N-m]
Flat Plate Crush	10 lbs/in [0.18 Kg/mm]
Tensile Strength	15 lbs [6.8 Kg]

Connectors

Description	Connector 1	Connector 2
Type	SMA Male Right Angle	TNC Plug Reverse Polarity Right Angle
Specification	MIL-STD-348A	
Impedance	50 Ohms	50 Ohms
Configuration	Right Angle	Right Angle
Contact Material and Plating	Brass, Gold	
Contact Plating Specification	50 µin minimum	
Dielectric Type	PTFE	
Body Material and Plating	Brass, Nickel	Brass, Nickel
Body Plating Specification	100 µin minimum	
Coupling Nut Material and Plating	Brass, Nickel	
Coupling Nut Plating Specification	100 µin minimum	
Hex Size	5/16 inch	
Torque	3 in-lbs 0.34 Nm	

SMA Male Right Angle to Reverse Polarity TNC Plug
Right Angle Low Loss Cable Using LMR-100A-UF Coax



PE3C10254

Environmental Specifications

Compliance Certifications (see [product page](#) for current document)

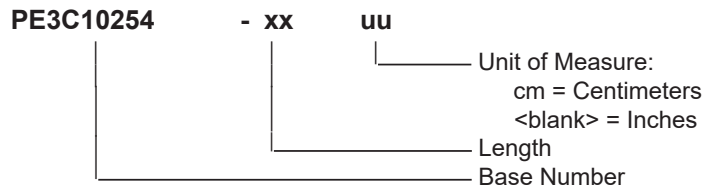
Plotted and Other Data

Notes:

Typical Performance Data

How to Order

Part Number Configuration:



Example: PE3C10254-12 = 12 inches long cable
PE3C10254-100cm = 100 cm long cable

SMA Male Right Angle to Reverse Polarity TNC Plug Right Angle Low Loss Cable Using LMR-100A-UF Coax from Pasternack Enterprises has same day shipment for domestic and International orders. Our RF, microwave and millimeter wave products maintain a 99.4% availability and are part of the broadest selection in the industry.

Click the following link (or enter part number in "SEARCH" on website) to obtain additional part information including price, inventory and certifications: [SMA Male Right Angle to Reverse Polarity TNC Plug Right Angle Low Loss Cable Using LMR-100A-UF Coax PE3C10254](#)

URL: <https://www.pasternack.com/sma-male-right-angle-to-reverse-polarity-tnc-plug-low-loss-cable-using-lmr-100a-uf-pe3c10254-p.aspx>

The information contained within this document is accurate to the best of our knowledge and representative of the part described herein. It may be necessary to make modifications to the part and/or the documentation of the part in order to implement improvements. Pasternack Enterprises reserves the right to make such changes as required. Unless otherwise stated, all specifications are nominal. Pasternack Enterprises does not make any representation or warranty regarding the suitability of the part described herein for any particular purpose, and Pasternack Enterprises does not assume liability arising out of the use of any part or document.

PE3C10254 CAD Drawing

SMA Male Right Angle to Reverse Polarity TNC Plug Right Angle Low Loss Cable Using LMR-100A-UF Coax

