



## SMA Male Right Angle to BNC Male Right Angle Low Loss Cable Using LMR-100 Coax

### TECHNICAL DATA SHEET

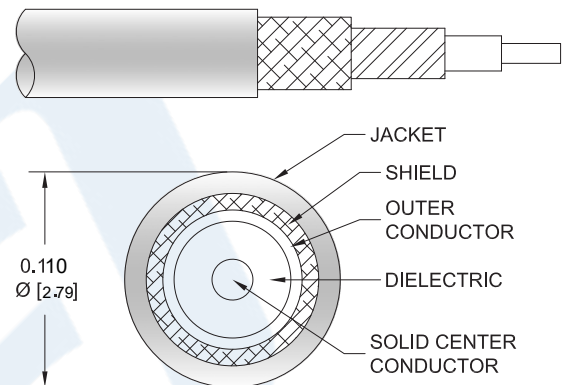
PE3C2126

#### Configuration

- Connector 1: SMA Male Right Angle
- Connector 2: BNC Male Right Angle
- Cable Type: LMR-100A
- Coax Flex Type: Flexible

#### Features

- Max Frequency 2 GHz
- Shielding Effectivity > 90 dB
- 66% Phase Velocity
- Double Shielded
- PVC Jacket



#### Applications

- General Purpose
- Laboratory Use

#### Description

Pasternack's PE3C2126 SMA male right angle to BNC male right angle cable using LMR-100 coax is part of our full line of RF components available for same-day shipping. Pasternack's flexible RF cable assemblies are ideal for applications where tight bends and flexure are required. This Pasternack SMA to BNC cable assembly has a male to male gender configuration with 50 ohm flexible LMR-100A coax. The PE3C2126 SMA male to BNC male cable assembly operates to 2 GHz. The right angle SMA and right angle BNC interfaces on the LMR-100A cable allow for easier connections in tight spaces. The double shielding of this Pasternack cable assembly provides excellent shielding effectiveness of better than 90 dB.

Custom versions of most RF cable assemblies can be built and shipped same day. Custom cable assembly lengths can be obtained by specifying the desired length on the web site at time of order or by contacting a sales representative. Other available RF cable assembly value added services include connector orientation or clocking, heat shrink booting and custom labeling. RF testing can also be performed to document the electrical performance of your cable assembly.

Click the following link (or enter part number in "SEARCH" on website) to obtain additional part information including price, inventory and certifications: [SMA Male Right Angle to BNC Male Right Angle Low Loss Cable Using LMR-100 Coax PE3C2126](#)



## SMA Male Right Angle to BNC Male Right Angle Low Loss Cable Using LMR-100 Coax

### TECHNICAL DATA SHEET

**PE3C2126**

#### Electrical Specifications

Description	Minimum	Typical	Maximum	Units
Frequency Range	DC		2	GHz
VSWR			1.4:1	
Velocity of Propagation		66		%
RF Shielding	90			dB
Group Delay		1.54 [5.05]		ns/ft [ns/m]
Capacitance		30.8 [101.05]		pF/ft [pF/m]
Inductance		0.077 [0.25]		uH/ft [uH/m]
DC Resistance Inner Conductor		81 [265.75]		$\Omega$ /1000ft [ $\Omega$ /Km]
DC Resistance Outer Conductor		9.5 [31.17]		$\Omega$ /1000ft [ $\Omega$ /Km]
Jacket Spark			2,000	Vrms

#### Specifications by Frequency

Part Number	Length	Description	F1	F2	F3	F4	F5	Units	Weight (lbs)
			Frequency						
PE3C2126	Custom Lengths Available	Insertion Loss (Typ.)	0.04	0.06	0.12	0.17	0.35	dB/ft	
			0.13	0.21	0.38	0.55	1.16	dB/m	
PE3C2126-24	24 inch	Insertion Loss (Typ.)	0.48	0.53	0.63	0.73	1.11	dB	0.086
PE3C2126-36	36 inch	Insertion Loss (Typ.)	0.52	0.6	0.75	0.9	1.46	dB	0.095
PE3C2126-48	48 inch	Insertion Loss (Typ.)	0.56	0.66	0.86	1.06	1.81	dB	0.104
PE3C2126-100CM	100 cm	Insertion Loss (Typ.)	0.53	0.61	0.78	0.95	1.56	dB	0.098
PE3C2126-200CM	200 cm	Insertion Loss (Typ.)	0.66	0.82	1.16	1.49	2.71	dB	0.128

The insertion loss data for the base model does not include loss due to the connectors. Each length includes insertion loss due to the connectors.

Loss due to Connector 1:	0.2 dB
Loss due to Connector 2:	0.2 dB
Base Weight:	0.077 pounds
Additional Weight per Inch:	0.00075 pounds

#### Mechanical Specifications

##### Cable Assembly

Weight 0.077 lbs [34.93 g]

Click the following link (or enter part number in "SEARCH" on website) to obtain additional part information including price, inventory and certifications: [SMA Male Right Angle to BNC Male Right Angle Low Loss Cable Using LMR-100 Coax PE3C2126](#)



## SMA Male Right Angle to BNC Male Right Angle Low Loss Cable Using LMR-100 Coax

### TECHNICAL DATA SHEET

**PE3C2126**

#### Cable

Cable Type	LMR-100A
Impedance	50 Ohms
Inner Conductor Type	Solid
Inner Conductor Material and Plating	Copper Clad Steel
Dielectric Type	PE
Number of Shields	2
Shield Layer 1	Aluminum Tape
Shield Layer 2	Tinned Copper Braid
Jacket Material	PVC, Black
Jacket Diameter	0.11 in [2.79 mm]
One Time Minimum Bend Radius	0.25 in [6.35 mm]
Repeated Minimum Bend Radius	1 in [25.4 mm]
Bending Moment	0.1 lbs-ft [0.14 N-m]
Flat Plate Crush	10 lbs/in [0.18 Kg/mm]
Tensile Strength	15 lbs [6.8 Kg]

#### Connectors

Description	Connector 1	Connector 2
Type	SMA Male Right Angle Threaded	BNC Male Right Angle Bayonet
Specification	MIL-STD-348A	
Impedance	50 Ohms	50 Ohms
Contact Material and Plating	Brass, Gold	Brass, Gold
Contact Plating Specification	50 µin minimum	30 µin minimum
Dielectric Type	PTFE	PTFE
Body Material and Plating	Brass, Nickel	Brass, Nickel
Body Plating Specification	100 µin minimum	100 µin minimum
Coupling Nut Material and Plating	Brass, Nickel	Brass, Nickel
Coupling Nut Plating Specification	100 µin minimum	100 µin minimum
Hex Size	5/16 in	
Torque	5 in-lbs [0.57 Nm]	

#### Environmental Specifications

##### Temperature

Operating Range -40 to +85 deg C

Click the following link (or enter part number in "SEARCH" on website) to obtain additional part information including price, inventory and certifications: [SMA Male Right Angle to BNC Male Right Angle Low Loss Cable Using LMR-100 Coax PE3C2126](#)



## SMA Male Right Angle to BNC Male Right Angle Low Loss Cable Using LMR-100 Coax

### TECHNICAL DATA SHEET

PE3C2126

**Compliance Certifications** (see [product page](#) for current document)

#### Plotted and Other Data

Notes:

#### How to Order

Part Number Configuration:

PE3C2126 - xx uu

Unit of Measure:  
cm = Centimeters  
<blank> = Inches  
Length  
Base Number

Example: PE3C2126-12 = 12 inches long cable  
PE3C2126-100cm = 100 cm long cable

SMA Male Right Angle to BNC Male Right Angle Low Loss Cable Using LMR-100 Coax from Pasternack Enterprises has same day shipment for domestic and International orders. Our RF, microwave and millimeter wave products maintain a 99.4% availability and are part of the broadest selection in the industry.

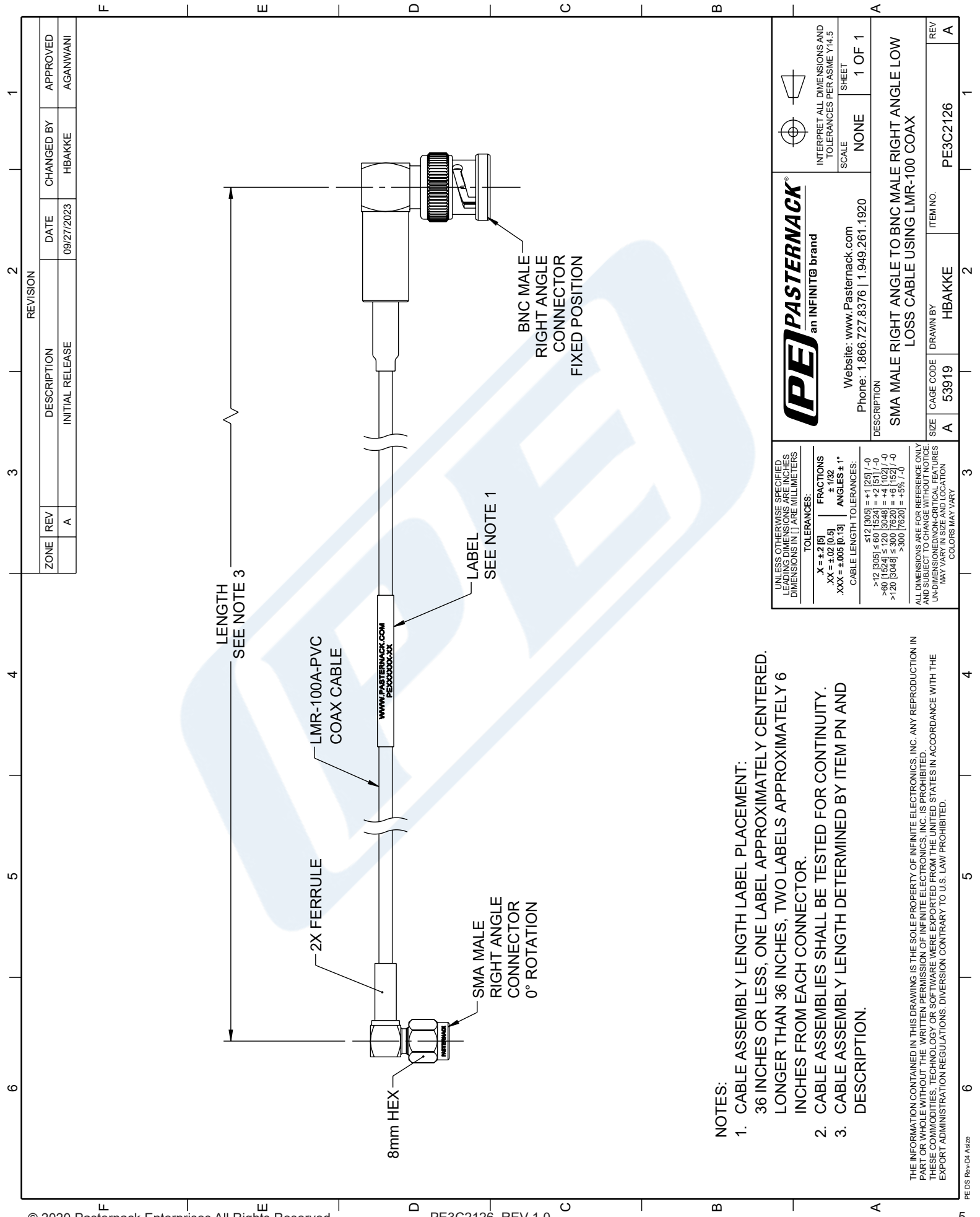
Click the following link (or enter part number in "SEARCH" on website) to obtain additional part information including price, inventory and certifications: [SMA Male Right Angle to BNC Male Right Angle Low Loss Cable Using LMR-100 Coax PE3C2126](#)

URL: <https://www.pasternack.com/sma-male-right-angle-to-bnc-male-low-loss-cable-using-lmr-100-pe3c2126-p.aspx>

The information contained in this document is accurate to the best of our knowledge and representative of the part described herein. It may be necessary to make modifications to the part and/or the documentation of the part, in order to implement improvements. Pasternack reserves the right to make such changes as required. Unless otherwise stated, all specifications are nominal. Pasternack does not make any representation or warranty regarding the suitability of the part described herein for any particular purpose, and Pasternack does not assume any liability arising out of the use of any part or documentation.

# PE3C2126 CAD Drawing

SMA Male Right Angle to BNC Male Right Angle Low Loss Cable Using LMR-100 Coax



**NOTES:**

1. CABLE ASSEMBLY LENGTH LABEL PLACEMENT: 36 INCHES OR LESS, ONE LABEL APPROXIMATELY LONGER THAN 36 INCHES, TWO LABELS APPROXIMATELY 6 INCHES FROM EACH CONNECTOR.
2. CABLE ASSEMBLIES SHALL BE TESTED FOR CONTINUITY.
3. CABLE ASSEMBLY LENGTH DETERMINED BY ITEM PN AND DESCRIPTION.

THE INFORMATION CONTAINED IN THIS DRAWING IS THE SOLE PROPERTY OF INFINITE ELECTRONICS, INC. ANY REPRODUCTION IN PART OR WHOLE WITHOUT THE WRITTEN PERMISSION OF INFINITE ELECTRONICS, INC. IS PROHIBITED. THESE COMMODITIES, TECHNOLOGY OR SOFTWARE WERE EXPORTED FROM THE UNITED STATES IN ACCORDANCE WITH THE EXPORT ADMINISTRATION REGULATIONS. DIVERSION CONTRARY TO U.S. LAW PROHIBITED.

INTERPRET ALL DIMENSIONS AND TOLERANCES PER ASME Y14.5 SCALE NONE SHEET 1 OF 1		
Website: www.Pasternack.com Phone: 1.866.727.8376   1.949.261.1920		
DESCRIPTION SMA MALE RIGHT ANGLE TO BNC MALE RIGHT ANGLE LOW LOSS CABLE USING LMR-100 COAX		
SIZE A	CAGE CODE 53919	DRAWN BY HBAKKE
ITEM NO. PE3C2126		REV A

UNLESS OTHERWISE SPECIFIED LEADING DIMENSIONS ARE IN INCHES DIMENSIONS IN [ ] ARE IN MILLIMETERS

TOLERANCES:	FRACTIONS
.X = ±.2 [5]	± 1/32
.XX = ±.02 [0.5]	ANGLES ± 1°
.XXX = ±.005 [0.13]	CABLE LENGTH TOLERANCES:
	<12 [305] = ±.1 [2.5] / -0
	>12 [305] ≤ 60 [1524] = ±.2 [5.1] / -0
	>60 [1524] ≤ 120 [3048] = ±.4 [10.2] / -0
	>120 [3048] ≤ 300 [7620] = ±.6 [15.2] / -0
	>300 [7620] = ±.5% / -0

ALL DIMENSIONS ARE FOR REFERENCE ONLY. UNDIMENSIONED NON-CRITICAL FEATURES MAY VARY IN SIZE AND LOCATION. COLORS MAY VARY.