

SMA Male to SSMC Male Low Loss Cable Using PE-C100-LSZH Coax



PE3C3192

Configuration

- Connector 1: SMA Male
- Connector 2: SSMC Male
- Cable Type: PE-C100-LSZH
- Coax Flex Type: Flexible

Features

- Max Frequency 5 GHz
- Shielding Effectivity > 90 dB
- 66% Phase Velocity
- Double Shielded
- LSZH Jacket
- 500 Mating Cycles

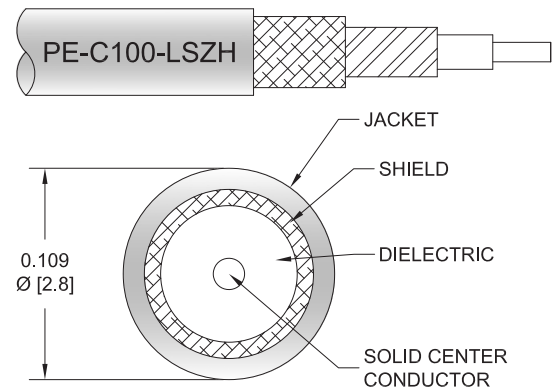
Applications

- General Purpose
- Laboratory Use

Description

Pasternack's PE3C3192 SMA male to SSMC male cable using PE-C100-LSZH coax is part of our full line of RF components available for same-day shipping. Pasternack's flexible RF cable assemblies are ideal for applications where tight bends and flexure are required. This Pasternack SMA to SSMC cable assembly has a male to male gender configuration with 50 ohm flexible PE-C100-LSZH coax. The PE3C3192 SMA male to SSMC male cable assembly operates to 5 GHz. The double shielding of this Pasternack cable assembly provides excellent shielding effectiveness of better than 90 dB.

Custom versions of most RF cable assemblies can be built and shipped same day. Custom cable assembly lengths can be obtained by specifying the desired length on the web site at time of order or by contacting a sales representative. Other available RF cable assembly value added services include connector orientation or clocking, heat shrink booting and custom labeling. RF testing can also be performed to document the electrical performance of your cable assembly.



Electrical Specifications

Description	Minimum	Typical	Maximum	Units
Frequency Range	DC		5	GHz
VSWR			1.4:1	
Velocity of Propagation		66		%
RF Shielding	90			dB
Capacitance		30.8 [101.05]		pF/ft [pF/m]
Inductance		0.077 [0.25]		uH/ft [uH/m]
Jacket Spark			2,000	Vrms

Specifications by Frequency

SMA Male to SSMC Male Low Loss Cable
Using PE-C100-LSZH Coax



PE3C3192

Part Number	Length	Description	F1	F2	F3	F4	F5	Units	Weight (lbs)
			Frequency	250	500	1000	2500	5000	
PE3C3192	Custom Lengths Available	Insertion Loss (Typ.)	0.115	0.166	0.24	0.405	0.6	dB/ft	
			0.38	0.55	0.79	1.33	1.97	dB/m	
PE3C3192-12	12 inch	Insertion Loss (Typ.)	0.32	0.37	0.44	0.61	0.8	dB	0.026
PE3C3192-24	24 inch	Insertion Loss (Typ.)	0.43	0.54	0.68	1.01	1.4	dB	0.037
PE3C3192-36	36 inch	Insertion Loss (Typ.)	0.55	0.7	0.92	1.42	2	dB	0.047
PE3C3192-48	48 inch	Insertion Loss (Typ.)	0.66	0.87	1.16	1.82	2.6	dB	0.057
PE3C3192-60	60 inch	Insertion Loss (Typ.)	0.78	1.03	1.4	2.23	3.2	dB	0.067

The insertion loss data for the base model does not include loss due to the connectors. Each length includes insertion loss due to the connectors.

Loss due to Connector 1: 0.1 dB
 Loss due to Connector 2: 0.1 dB
 Base Weight: 0.026 pounds
 Additional Weight per Inch: 0.00084 pounds

Mechanical Specifications

Cable Assembly

Width/Diameter 0.5 in [12.7 mm]
 Weight 0.026 lbs [11.79 g]

Cable

Cable Type PE-C100-LSZH
 Impedance 50 Ohms
 Inner Conductor Type Solid
 Inner Conductor Material and Plating Copper Clad Steel
 Dielectric Type PE
 Number of Shields 2
 Shield Layer 1 Aluminum Tape
 Shield Layer 2 Tinned Copper Braid
 Jacket Material LSZH, Black
 Jacket Diameter 0.109 in [2.77 mm]
 One Time Minimum Bend Radius 0.25 in [6.35 mm]
 Repeated Minimum Bend Radius 1 in [25.4 mm]
 Bending Moment 0.1 lbs-ft [0.14 N-m]
 Flat Plate Crush 10 lbs/in [0.18 Kg/mm]
 Tensile Strength 15 lbs [6.8 Kg]

SMA Male to SSMC Male Low Loss Cable Using PE-C100-LSZH Coax



PE3C3192

Connectors

Description	Connector 1	Connector 2
Type	SMA Male	SSMC Male
Specification	MIL-STD-348A	
Impedance	50 Ohms	50 Ohms
Configuration	Straight	Straight
Mating Cycles	500	500
Contact Material and Plating	Brass, Gold	Beryllium Copper, Gold
Contact Plating Specification	30μ in. Minimum	
Dielectric Type	PTFE	PTFE
Body Material and Plating	Brass, Nickel	Beryllium Copper, Gold
Body Plating Specification	100μ in. Minimum	
Coupling Nut Material and Plating	Brass, Nickel	Beryllium Copper, Gold
Coupling Nut Plating Specification	100μ in. Minimum	
Hex Size	5/16 in	5/32 inch
Torque	5 in-lbs 0.57 Nm	

Environmental Specifications

Operating Range Temperature -40 to +85 deg C

Compliance Certifications (see [product page](#) for current document)

Plotted and Other Data

Notes:

SMA Male to SSMC Male Low Loss Cable Using PE-C100-LSZH Coax



PE3C3192

Typical Performance Data

How to Order

Part Number Configuration:

PE3C3192

- xx

uu

Unit of Measure:

cm = Centimeters

<blank> = Inches

Length

Base Number

Example: PE3C3192-12 = 12 inches long cable
PE3C3192-100cm = 100 cm long cable

SMA Male to SSMC Male Low Loss Cable Using PE-C100-LSZH Coax from Pasternack Enterprises has same day shipment for domestic and International orders. Our RF, microwave and millimeter wave products maintain a 99.4% availability and are part of the broadest selection in the industry.

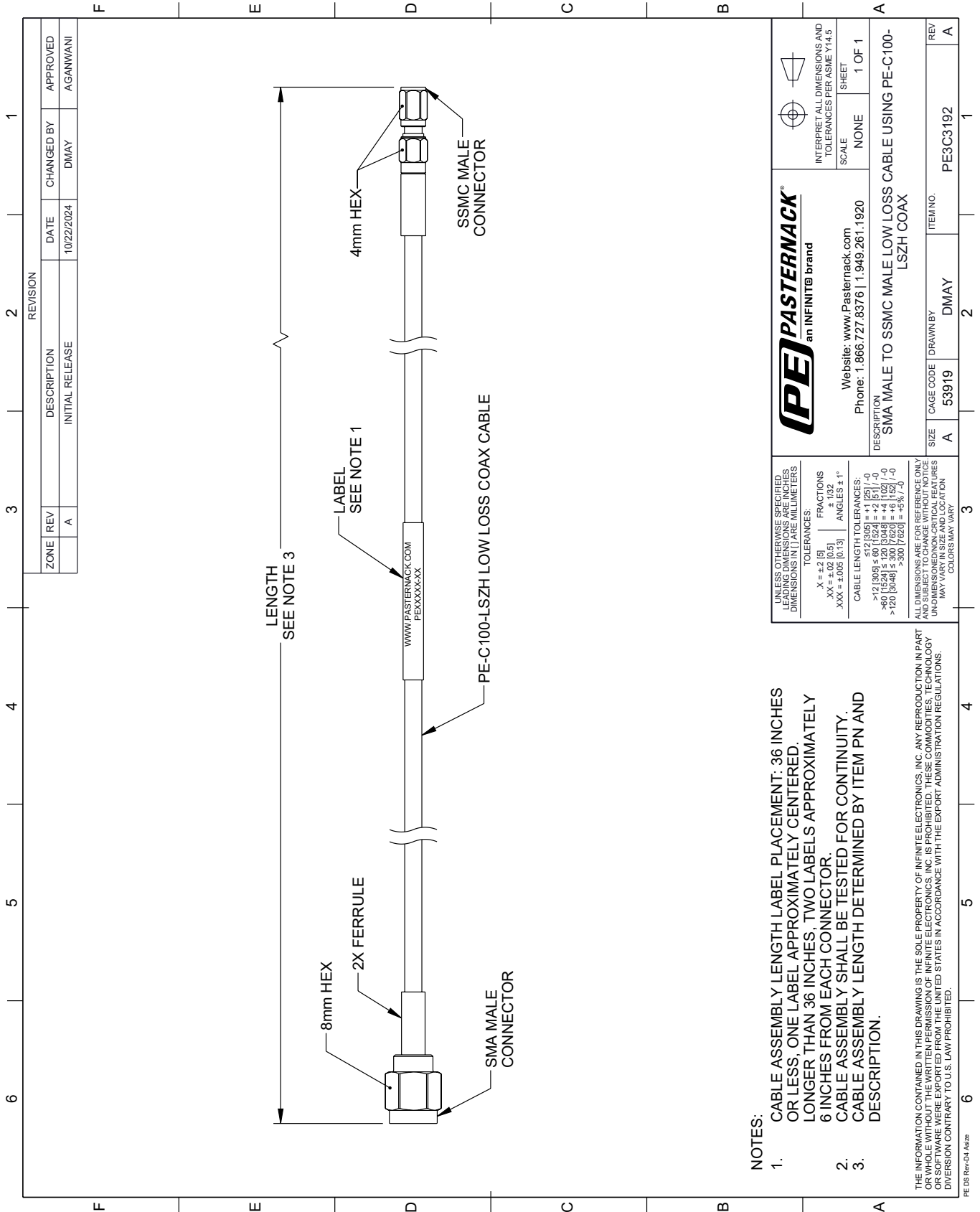
Click the following link (or enter part number in "SEARCH" on website) to obtain additional part information including price, inventory and certifications: [SMA Male to SSMC Male Low Loss Cable Using PE-C100-LSZH Coax PE3C3192](#)

URL: <https://www.pasternack.com/sma-male-to-ssmc-male-low-loss-cable-using-pe-c100-lszh-pe3c3192-p.aspx>

The information contained within this document is accurate to the best of our knowledge and representative of the part described herein. It may be necessary to make modifications to the part and/or the documentation of the part in order to implement improvements. Pasternack Enterprises reserves the right to make such changes as required. Unless otherwise stated, all specifications are nominal. Pasternack Enterprises does not make any representation or warranty regarding the suitability of the part described herein for any particular purpose, and Pasternack Enterprises does not assume liability arising out of the use of any part or document.

PE3C3192 CAD Drawing

SMA Male to SSMC Male Low Loss Cable Using PE-C100-LSZH Coax



NOTES:

1. CABLE ASSEMBLY LENGTH LABEL PLACEMENT: 36 INCHES OR LESS, ONE LABEL APPROXIMATELY CENTERED, LONGER THAN 36 INCHES, TWO LABELS APPROXIMATELY 6 INCHES FROM EACH CONNECTOR.
2. CABLE ASSEMBLY SHALL BE TESTED FOR CONTINUITY.
3. CABLE ASSEMBLY LENGTH DETERMINED BY ITEM PN AND DESCRIPTION.

THE INFORMATION CONTAINED IN THIS DRAWING IS THE SOLE PROPERTY OF INFINITE ELECTRONICS, INC. ANY REPRODUCTION IN PART OR WHOLE WITHOUT THE WRITTEN PERMISSION OF INFINITE ELECTRONICS, INC. IS PROHIBITED. THESE COMMODITIES, TECHNOLOGY OR SERVICES WERE EXPORTED FROM THE UNITED STATES IN ACCORDANCE WITH THE EXPORT ADMINISTRATION REGULATIONS. DIVERSION CONTRARY TO U.S. LAW PROHIBITED.

PE DS Rev-D4 Add2

REVISION		DATE	CHANGED BY	APPROVED	
ZONE	REV	DESCRIPTION	DATE	CHANGED BY	APPROVED
	A	INITIAL RELEASE	10/22/2024	DMAY	AGANWANI

Website: www.Pasternack.com Phone: 1.866.727.8376 1.949.281.1920		INTERPRET ALL DIMENSIONS AND TOLERANCES PER ASME Y14.5 SCALE: NONE SHEET: 1 OF 1
DESCRIPTION: SMA MALE TO SSMC MALE LOW LOSS CABLE USING PE-C100-LSZH COAX		
SIZE	CAGE CODE	ITEM NO.
A	53919	PE3C3192
SIZE	DRAWN BY	REV
A	DMAY	A

UNLESS OTHERWISE SPECIFIED, LEADING DIMENSIONS ARE IN INCHES AND UNLEADING DIMENSIONS ARE IN MILLIMETERS

TOLERANCES:
 .X = ±.2 [5]
 .XX = ±.02 [0.5]
 .XXX = ±.005 [0.13]

FRACTIONS:
 ± 1/32
 ANGLES ± 1°

CABLE LENGTH TOLERANCES:
 <12 [305] ≤ 60 [1524] = ±.1 [25] / -0
 >60 [1524] ≤ 120 [3048] = ±.4 [102] / -0
 >120 [3048] ≤ 300 [7620] = ±.6 [15] / -0

ALL DIMENSIONS ARE FOR REFERENCE ONLY. UNLESS OTHERWISE SPECIFIED, DIMENSIONS ARE IN INCHES. UNLEADING DIMENSIONS/NON-CRITICAL FEATURES MAY VARY IN SIZE AND LOCATION. COLORS MAY VARY.