



TNC Male Right Angle to N Male Right Angle Low Loss Cable  
48 Inch Length Using LMR-195 Coax with 180 Deg. Clock

**TECHNICAL DATA SHEET**

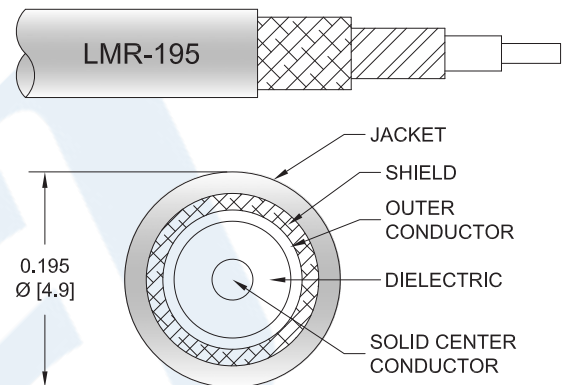
**PE3C3261/SP1-48**

**Configuration**

- Connector 1: TNC Male
- Connector 2: N Male
- Cable Type: LMR-195
- Coax Flex Type: Flexible

**Features**

- Max Frequency 3 GHz
- Shielding Effectivity > 90 dB
- 80% Phase Velocity
- Double Shielded
- PE Jacket



**Applications**

- General Purpose
- Laboratory Use

**Description**

Pasternack's PE3C3261/SP1-48 TNC male to type N male 48 inch cable using LMR-195 coax is part of our full line of RF components available for same-day shipping. Pasternack's flexible RF cable assemblies are ideal for applications where tight bends and flexure are required. This Pasternack TNC to type N cable assembly has a male to male gender configuration with 50 ohm flexible LMR-195 coax. The PE3C3261/SP1-48 TNC male to type N male cable assembly operates to 3 GHz. The double shielding of this Pasternack cable assembly provides excellent shielding effectiveness of better than 90 dB.

Custom versions of most RF cable assemblies can be built and shipped same day. Custom cable assembly lengths can be obtained by specifying the desired length on the web site at time of order or by contacting a sales representative. Other available RF cable assembly value added services include connector orientation or clocking, heat shrink booting and custom labeling. RF testing can also be performed to document the electrical performance of your cable assembly.

Click the following link (or enter part number in "SEARCH" on website) to obtain additional part information including price, inventory and certifications: [TNC Male RA to N Male RA Cable 48 Inch Length Using LMR-195 Coax with 180 Deg. Clock PE3C3261/SP1-48](#)



TNC Male Right Angle to N Male Right Angle Low Loss Cable  
48 Inch Length Using LMR-195 Coax with 180 Deg. Clock

**TECHNICAL DATA SHEET**

**PE3C3261/SP1-48**

**Electrical Specifications**

Description	Minimum	Typical	Maximum	Units
Frequency Range	DC		3	GHz
Velocity of Propagation		80		%
RF Shielding	90			dB
Group Delay		1.27 [4.17]		ns/ft [ns/m]
Capacitance		25.4 [83.33]		pF/ft [pF/m]
Inductance		0.064 [0.21]		uH/ft [uH/m]
DC Resistance Inner Conductor		7.6 [24.93]		$\Omega$ /1000ft [ $\Omega$ /Km]
DC Resistance Outer Conductor		4.9 [16.08]		$\Omega$ /1000ft [ $\Omega$ /Km]
Operating Voltage (AC)			335	Vrms
Jacket Spark			3,000	Vrms

**Specifications by Frequency**

Description	F1	F2	F3	F4	F5	Units
Frequency	0.1	0.25	0.5	1	2.5	GHz
Insertion Loss (Typ.)	0.11	0.16	0.238	0.38	0.489	dB

**Mechanical Specifications**

<b>Cable Assembly</b>	
Length*	48 in [121.92 cm]
Weight	0.167 lbs [75.75 g]

Click the following link (or enter part number in "SEARCH" on website) to obtain additional part information including price, inventory and certifications: [TNC Male RA to N Male RA Cable 48 Inch Length Using LMR-195 Coax with 180 Deg. Clock PE3C3261/SP1-48](#)



TNC Male Right Angle to N Male Right Angle Low Loss Cable  
48 Inch Length Using LMR-195 Coax with 180 Deg. Clock

**TECHNICAL DATA SHEET**

**PE3C3261/SP1-48**

**Cable**

Cable Type	LMR-195
Impedance	50 Ohms
Inner Conductor Type	Solid
Inner Conductor Material and Plating	Copper
Dielectric Type	PE (F)
Number of Shields	2
Shield Layer 1	Aluminum Tape
Shield Layer 2	Tinned Copper Braid
Jacket Material	PE, Black
Jacket Diameter	0.195 in [4.95 mm]
One Time Minimum Bend Radius	0.5 in [12.7 mm]
Repeated Minimum Bend Radius	2 in [50.8 mm]
Bending Moment	0.2 lbs-ft [0.27 N-m]
Flat Plate Crush	15 lbs/in [0.27 Kg/mm]
Tensile Strength	40 lbs [18.14 Kg]

**Connectors**

Description	Connector 1	Connector 2
Type	TNC Male Threaded	N Male Threaded
Specification	MIL-STD-348A	MIL-STD-348A
Impedance	50 Ohms	50 Ohms
Contact Material and Plating	Brass, Gold	Brass, Gold
Contact Plating Specification	50 µin minimum	30 µin minimum
Dielectric Type	Teflon	PTFE
Body Material and Plating	Brass, Nickel	Brass, Nickel
Body Plating Specification	100 µin minimum	100 µin minimum
Coupling Nut Material and Plating	Brass, Nickel	Brass, Nickel
Coupling Nut Plating Specification	100 µin minimum	100 µin minimum

**Environmental Specifications**

**Temperature**

Operating Range -40 to +85 deg C

**Compliance Certifications** (see [product page](#) for current document)

**Plotted and Other Data**

Notes:

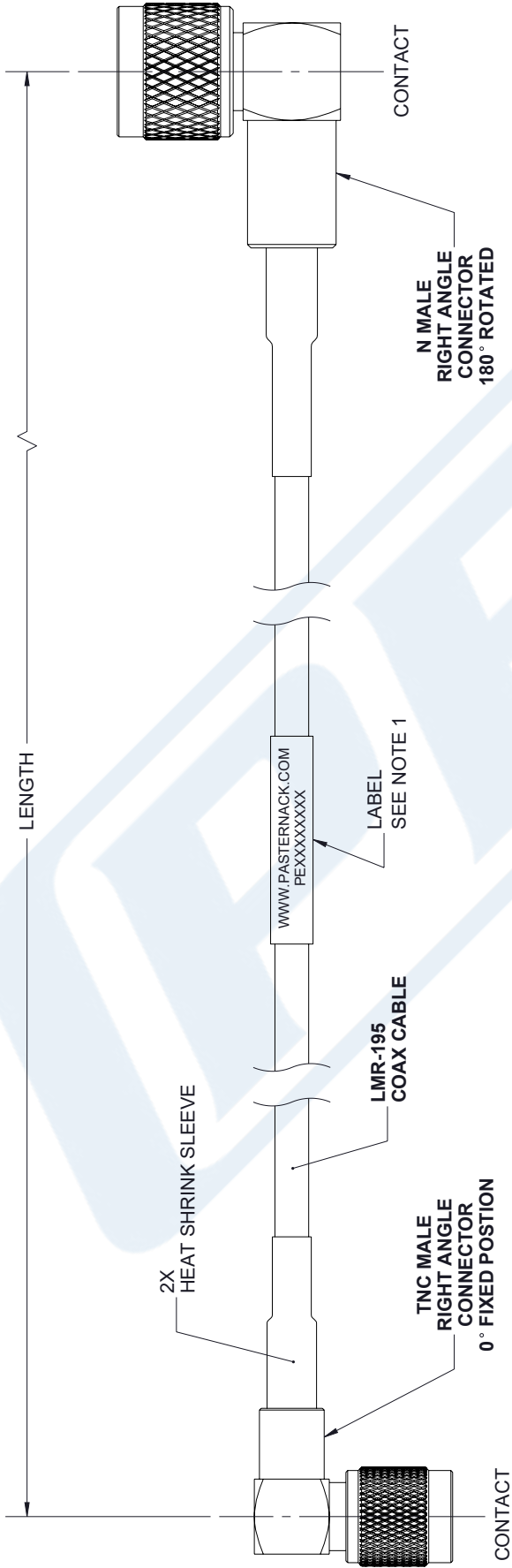
# PE3C3261/SP1-48 CAD Drawing

TNC Male Right Angle to N Male Right Angle Low Loss Cable 48 Inch Length Using LMR-195 Coax with 180 Deg. Clock

F E D C B A

1 2 3 4 5 6

REVISION		CHANGED BY	APPROVED
ZONE	REV.	DESCRIPTION	DATE
	A	INITIAL RELEASE	12/16/2022
		KDANG	AGANWANI



**PE PASTERNAK**  
an INFINITIB brand

Website: [www.Pasternack.com](http://www.Pasternack.com)  
Phone: 1.866.727.8376 | 1.949.261.1920

DESCRIPTION  
N Male Right Angle to TNC Male Right Angle Low Loss Cable Using LMR-195 Coax with HeatShrink and 180 Deg. Clock, LF Solder

SIZE | CAGE CODE | DRAWN BY | ITEM NO.  
A | 53919 | KDANG | PE3C3261/SP1

UNLESS OTHERWISE SPECIFIED LEADING DIMENSIONS ARE INCHES DIMENSIONS IN [ ] ARE MILLIMETERS

TOLERANCES:  
X = ±.2 [ .5 ] FRACTIONS  
.XX = ±.02 [ .5 ] ± 1/32  
.XXX = ±.005 [ .13 ] ANGLES ± 1°

CABLE LENGTH TOLERANCES:  
>12 [305] = +1 [25] / -0  
>60 [1524] = +2 [51] / -0  
>120 [3048] = +4 [102] / -0  
>300 [7620] = +6 [162] / -0  
>900 [22860] = +5% / -0

ALL DIMENSIONS ARE FOR REFERENCE ONLY AND SUBJECT TO CHANGE WITHOUT NOTICE

- NOTES:**
- CABLE ASSY LENGTH LABEL PLACEMENT: 36 INCHES OR LESS, ONE LABEL APPROX CENTERED. LONGER THAN 36 INCHES, TWO LABELS APPROX 6 INCHES FROM EACH CONNECTOR.
  - CABLES ASSEMBLIES SHALL BE TESTED FOR CONTINUITY.
- THE INFORMATION CONTAINED IN THIS DRAWING IS THE SOLE PROPERTY OF INFINITE ELECTRONICS, INC. ANY REPRODUCTION IN PART OR WHOLE WITHOUT THE WRITTEN PERMISSION OF INFINITE ELECTRONICS, INC. IS PROHIBITED. THESE COMMODITIES, TECHNOLOGY OR SOFTWARE WERE EXPORTED FROM THE UNITED STATES IN ACCORDANCE WITH THE EXPORT ADMINISTRATION REGULATIONS. DIVERSION CONTRARY TO U.S. LAW PROHIBITED.