



## Push-On SMP Female Right Angle to Push-On SMP Female Right Angle Low Loss Cable Using LMR-100 Coax

### RF Cable Assemblies Technical Data Sheet

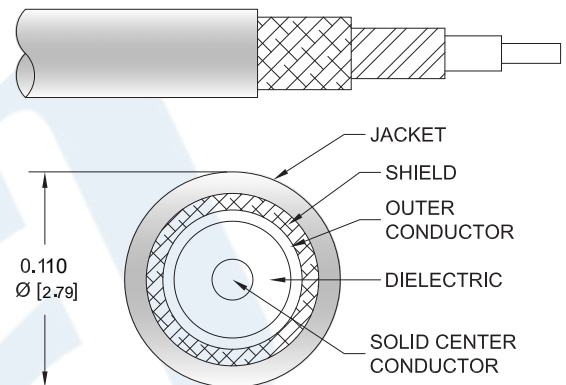
**PE3C3749**

#### Configuration

- Connector 1: Push-OnSMP Female Right Angle
- Connector 2: Push-OnSMP Female Right Angle
- Cable Type: LMR-100A

#### Features

- Max Frequency 3 GHz
- Shielding Effectivity > 90 dB
- 66% Phase Velocity
- Double Shielded
- PVC Jacket



#### Applications

- General Purpose
- Laboratory Use

#### Description

Pasternack's PE3C3749 SMP female push-on right angle to SMP female push-on right angle cable using LMR-100 coax is part of our full line of RF components available for same-day shipping. Pasternack's flexible RF cable assemblies are ideal for applications where tight bends and flexure are required. This Pasternack SMP to SMP cable assembly has a female to female gender configuration with 50 ohm flexible LMR-100A coax. The PE3C3749 SMP female to SMP female cable assembly operates to 3 GHz. The right angle SMP interfaces on the LMR-100A cable allow for easier connections in tight spaces. The double shielding of this Pasternack cable assembly provides excellent shielding effectiveness of better than 90 dB.

Custom versions of most RF cable assemblies can be built and shipped same day. Custom cable assembly lengths can be obtained by specifying the desired length on the web site at time of order or by contacting a sales representative. Other available RF cable assembly value added services include connector orientation or clocking, heat shrink booting and custom labeling. RF testing can also be performed to document the electrical performance of your cable assembly.

Click the following link (or enter part number in "SEARCH" on website) to obtain additional part information including price, inventory and certifications: [Push-On SMP Female Right Angle to Push-On SMP Female Right Angle Low Loss Cable Using LMR-100 Coax PE3C3749](#)



## Push-On SMP Female Right Angle to Push-On SMP Female Right Angle Low Loss Cable Using LMR-100 Coax

### RF Cable Assemblies Technical Data Sheet

**PE3C3749**

#### Electrical Specifications

| Description                   | Minimum | Typical       | Maximum | Units                            |
|-------------------------------|---------|---------------|---------|----------------------------------|
| Frequency Range               | DC      |               | 3       | GHz                              |
| VSWR                          |         |               | 1.4:1   |                                  |
| Velocity of Propagation       |         | 66            |         | %                                |
| RF Shielding                  | 90      |               |         | dB                               |
| Group Delay                   |         | 1.54 [5.05]   |         | ns/ft [ns/m]                     |
| Capacitance                   |         | 30.8 [101.05] |         | pF/ft [pF/m]                     |
| Inductance                    |         | 0.077 [0.25]  |         | uH/ft [uH/m]                     |
| DC Resistance Inner Conductor |         | 81 [265.75]   |         | $\Omega$ /1000ft [ $\Omega$ /Km] |
| DC Resistance Outer Conductor |         | 9.5 [31.17]   |         | $\Omega$ /1000ft [ $\Omega$ /Km] |
| Jacket Spark                  |         |               | 2,000   | Vrms                             |

#### Specifications by Frequency

| Description           | F1   | F2    | F3    | F4   | F5    | Units |
|-----------------------|------|-------|-------|------|-------|-------|
| Frequency             | 0.1  | 0.25  | 0.5   | 1    | 3     | GHz   |
| Insertion Loss (Typ.) | 0.07 | 0.115 | 0.165 | 0.24 | 0.434 | dB/ft |
|                       | 0.23 | 0.38  | 0.54  | 0.79 | 1.42  | dB/m  |

#### Electrical Specification Notes:

Insertion Loss does not include the loss of the connectors. Insertion Loss is estimated as 0.2 dB per connector.

#### Mechanical Specifications

##### Cable Assembly

Weight 0.024 lbs [10.89 g]

##### Cable

Cable Type LMR-100A  
 Impedance 50 Ohms  
 Inner Conductor Type Solid  
 Inner Conductor Material and Plating Copper Clad Steel  
 Dielectric Type PE  
 Number of Shields 2  
 Shield Layer 1 Aluminum Tape  
 Shield Layer 2 Tinned Copper Braid  
 Jacket Material PVC, Black  
 Jacket Diameter 0.11 in [2.79 mm]

Click the following link (or enter part number in "SEARCH" on website) to obtain additional part information including price, inventory and certifications: [Push-On SMP Female Right Angle to Push-On SMP Female Right Angle Low Loss Cable Using LMR-100 Coax PE3C3749](#)



Push-On SMP Female Right Angle to Push-On SMP Female Right Angle Low Loss Cable Using LMR-100 Coax

**RF Cable Assemblies Technical Data Sheet**

**PE3C3749**

|                              |                        |
|------------------------------|------------------------|
| One Time Minimum Bend Radius | 0.25 in [6.35 mm]      |
| Repeated Minimum Bend Radius | 1 in [25.4 mm]         |
| Bending Moment               | 0.1 lbs-ft [0.14 N-m]  |
| Flat Plate Crush             | 10 lbs/in [0.18 Kg/mm] |
| Tensile Strength             | 15 lbs [6.8 Kg]        |

**Connectors**

| Description                           | Connector 1            | Connector 2            |
|---------------------------------------|------------------------|------------------------|
| Type                                  | SMP Female Right Angle | SMP Female Right Angle |
| Specification                         | MIL-STD-348A           | MIL-STD-348A           |
| Impedance                             | 50 Ohms                | 50 Ohms                |
| Connection Method                     | Push-On                | Push-On                |
| Contact Material and Plating          | Beryllium Copper, Gold | Beryllium Copper, Gold |
| Contact Plating Specification         | 30µ in. minimum        | 30µ in. minimum        |
| Dielectric Type                       | Teflon                 | Teflon                 |
| Outer Conductor Material and Plating  | Beryllium Copper, Gold | Beryllium Copper, Gold |
| Outer Conductor Plating Specification | 3µ in. minimum         | 3µ in. minimum         |
| Body Material and Plating             | Brass, Gold            | Brass, Gold            |
| Body Plating Specification            | 3µ in. minimum         | 3µ in. minimum         |

**Environmental Specifications**

**Temperature**

Operating Range -40 to +85 deg C

**Compliance Certifications** (see [product page](#) for current document)

**Plotted and Other Data**

Notes:

Click the following link (or enter part number in "SEARCH" on website) to obtain additional part information including price, inventory and certifications: [Push-On SMP Female Right Angle to Push-On SMP Female Right Angle Low Loss Cable Using LMR-100 Coax PE3C3749](#)



# Push-On SMP Female Right Angle to Push-On SMP Female Right Angle Low Loss Cable Using LMR-100 Coax

## RF Cable Assemblies Technical Data Sheet

**PE3C3749**

### How to Order

Part Number Configuration:

**PE3C3749**

- **xx**

**uu**

Unit of Measure:  
 cm = Centimeters  
 <blank> = Inches  
 Length  
 Base Number

Example: PE3C3749-12 = 12 inches long cable  
 PE3C3749-100cm = 100 cm long cable

Push-On SMP Female Right Angle to Push-On SMP Female Right Angle Low Loss Cable Using LMR-100 Coax from Pasternack Enterprises has same day shipment for domestic and International orders. Our RF, microwave and millimeter wave products maintain a 99.4% availability and are part of the broadest selection in the industry.

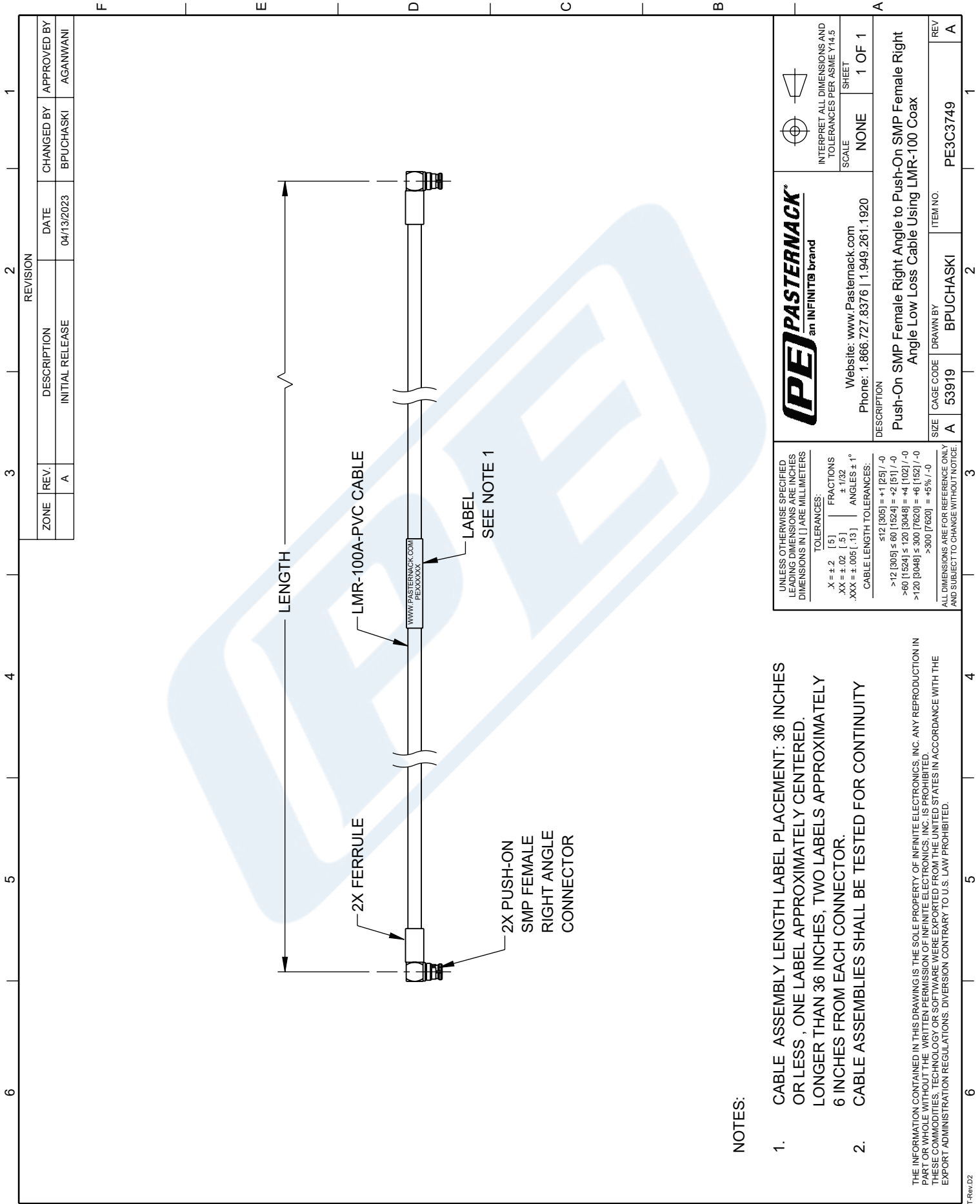
Click the following link (or enter part number in "SEARCH" on website) to obtain additional part information including price, inventory and certifications: [Push-On SMP Female Right Angle to Push-On SMP Female Right Angle Low Loss Cable Using LMR-100 Coax PE3C3749](#)

URL: <https://www.pasternack.com/push-on-smp-female-right-angle-to-push-on-smp-female-low-loss-cable-using-lmr-100-pe3c3749-p.aspx>

The information contained in this document is accurate to the best of our knowledge and representative of the part described herein. It may be necessary to make modifications to the part and/or the documentation of the part, in order to implement improvements. Pasternack reserves the right to make such changes as required. Unless otherwise stated, all specifications are nominal. Pasternack does not make any representation or warranty regarding the suitability of the part described herein for any particular purpose, and Pasternack does not assume any liability arising out of the use of any part or documentation.

# PE3C3749 CAD Drawing

## Push-On SMP Female Right Angle to Push-On SMP Female Right Angle Low Loss Cable Using LMR-100 Coax



**NOTES:**

1. CABLE ASSEMBLY LENGTH LABEL PLACEMENT: 36 INCHES OR LESS, ONE LABEL APPROXIMATELY CENTERED. LONGER THAN 36 INCHES, TWO LABELS APPROXIMATELY 6 INCHES FROM EACH CONNECTOR.
2. CABLE ASSEMBLIES SHALL BE TESTED FOR CONTINUITY

THE INFORMATION CONTAINED IN THIS DRAWING IS THE SOLE PROPERTY OF INFINITE ELECTRONICS, INC. ANY REPRODUCTION IN PART OR WHOLE WITHOUT THE WRITTEN PERMISSION OF INFINITE ELECTRONICS, INC. IS PROHIBITED. THESE COMMODITIES, TECHNOLOGY OR SOFTWARE WERE EXPORTED FROM THE UNITED STATES IN ACCORDANCE WITH THE EXPORT ADMINISTRATION REGULATIONS. DIVERSION CONTRARY TO U.S. LAW PROHIBITED.

|  |                  |
|--|------------------|
| UNLESS OTHERWISE SPECIFIED LEADING DIMENSIONS ARE INCHES DIMENSIONS IN [ ] ARE MILLIMETERS |                  |
| TOLERANCES:  |                  |
| X = ±.2 [5]  | FRACTIONS ± 1/32 |
| XX = ±.02 [.5]   | ANGLES ± 1°      |
| .XXX = ±.005 [.13]   |                  |
| CABLE LENGTH TOLERANCES:   |                  |
| ≤12 [305] = +1 [25] / -0   |                  |
| >12 [305] ≤ 60 [1524] = -2 [51] / -0   |                  |
| >60 [1524] ≤ 120 [3048] = +4 [102] / -0  |                  |
| >120 [3048] ≤ 300 [7620] = +6 [152] / -0   |                  |
| >300 [7620] = +5% / -0   |                  |
| ALL DIMENSIONS ARE FOR REFERENCE ONLY AND SUBJECT TO CHANGE WITHOUT NOTICE                 |                  |

|   |                   |
|---|-------------------|
| <b>PE PASTERNAK</b><br>an INFINITE brand  |                   |
| Website: <a href="http://www.Pastermack.com">www.Pastermack.com</a><br>Phone: 1.866.727.8376   1.949.261.1920     |                   |
| INTERPRET ALL DIMENSIONS AND TOLERANCES PER ASME Y14.5  | SCALE NONE        |
|   | SHEET 1 OF 1      |
| DESCRIPTION<br>Push-On SMP Female Right Angle to Push-On SMP Female Right Angle Low Loss Cable Using LMR-100 Coax |                   |
| SIZE A  | CAGE CODE 53919   |
| DRAWN BY BPUCHASKI  | ITEM NO. PE3C3749 |
| REV A   |                   |