



UHF Male to N Male Low Loss Cable
Using LMR-195 Coax , LF Solder

RF Cable Assemblies Technical Data Sheet

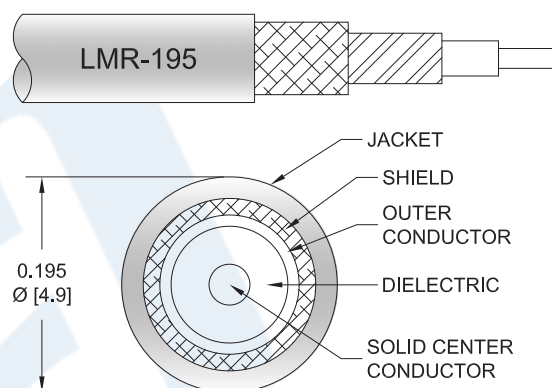
PE3C3754LF

Configuration

- Connector 1: UHF Male
- Connector 2: N Male
- Cable Type: LMR-195

Features

- Shielding Effectivity > 90 dB
- 80% Phase Velocity
- Double Shielded
- PE Jacket



Applications

- General Purpose
- Laboratory Use

Description

Pasternack's PE3C3754LF UHF male to type N male cable using LMR-195 coax is part of our full line of RF components available for same-day shipping. Pasternack's flexible RF cable assemblies are ideal for applications where tight bends and flexure are required. This Pasternack UHF to type N cable assembly has a male to male gender configuration with 50 ohm flexible LMR-195 coax. The double shielding of this Pasternack cable assembly provides excellent shielding effectiveness of better than 90 dB.

Custom versions of most RF cable assemblies can be built and shipped same day. Custom cable assembly lengths can be obtained by specifying the desired length on the web site at time of order or by contacting a sales representative. Other available RF cable assembly value added services include connector orientation or clocking, heat shrink booting and custom labeling. RF testing can also be performed to document the electrical performance of your cable assembly.

Electrical Specifications

Description	Minimum	Typical	Maximum	Units
Velocity of Propagation		80		%
RF Shielding	90			dB
Group Delay		1.27 [4.17]		ns/ft [ns/m]
Capacitance		25.4 [83.33]		pF/ft [pF/m]
Inductance		0.064 [0.21]		uH/ft [uH/m]
DC Resistance Inner Conductor		7.6 [24.93]		Ω/1000ft [Ω/Km]
DC Resistance Outer Conductor		4.9 [16.08]		Ω/1000ft [Ω/Km]
Jacket Spark			3,000	Vrms

Click the following link (or enter part number in "SEARCH" on website) to obtain additional part information including price, inventory and certifications: [UHF Male to N Male Low Loss Cable Using LMR-195 Coax , LF Solder PE3C3754LF](#)



UHF Male to N Male Low Loss Cable
Using LMR-195 Coax , LF Solder

RF Cable Assemblies Technical Data Sheet

PE3C3754LF

Mechanical Specifications

Cable Assembly

Weight 0.146 lbs [66.22 g]

Cable

Cable Type LMR-195
 Impedance 50 Ohms
 Inner Conductor Type Solid
 Inner Conductor Material and Plating Copper
 Dielectric Type PE (F)
 Number of Shields 2
 Shield Layer 1 Aluminum Tape
 Shield Layer 2 Tinned Copper Braid
 Jacket Material PE, Black
 Jacket Diameter 0.195 in [4.95 mm]

One Time Minimum Bend Radius 0.5 in [12.7 mm]
 Repeated Minimum Bend Radius 2 in [50.8 mm]
 Bending Moment 0.2 lbs-ft [0.27 N-m]
 Flat Plate Crush 15 lbs/in [0.27 Kg/mm]
 Tensile Strength 40 lbs [18.14 Kg]

Connectors

Description	Connector 1	Connector 2
Type	UHF Male	N Male
Specification		MIL-STD-348
Impedance	50 Ohms	50 Ohms
Contact Material and Plating	Brass, Gold	Brass, Gold
Contact Plating Specification	30 µin minimum	ASTM B488
Dielectric Type	PTFE	Teflon
Body Material and Plating	Brass, Nickel	Brass, Tri-Metal
Body Plating Specification	100 µin minimum	
Coupling Nut Material and Plating	Brass, Nickel	Brass, Tri-Metal
Coupling Nut Plating Specification	100 µin minimum	
Hex Size		13/16 Inch

Environmental Specifications

Temperature

Operating Range -40 to +85 deg C

Click the following link (or enter part number in "SEARCH" on website) to obtain additional part information including price, inventory and certifications: [UHF Male to N Male Low Loss Cable Using LMR-195 Coax , LF Solder PE3C3754LF](#)



UHF Male to N Male Low Loss Cable
Using LMR-195 Coax , LF Solder

RF Cable Assemblies Technical Data Sheet

PE3C3754LF

Compliance Certifications (see [product page](#) for current document)

Plotted and Other Data

Notes:

How to Order

Part Number Configuration:

PE3C3754LF - xx uu

Unit of Measure:
cm = Centimeters
<blank> = Inches
Length
Base Number

Example: PE3C3754LF-12 = 12 inches long cable
PE3C3754LF-100cm = 100 cm long cable

UHF Male to N Male Low Loss Cable Using LMR-195 Coax , LF Solder from Pasternack Enterprises has same day shipment for domestic and International orders. Our RF, microwave and millimeter wave products maintain a 99.4% availability and are part of the broadest selection in the industry.

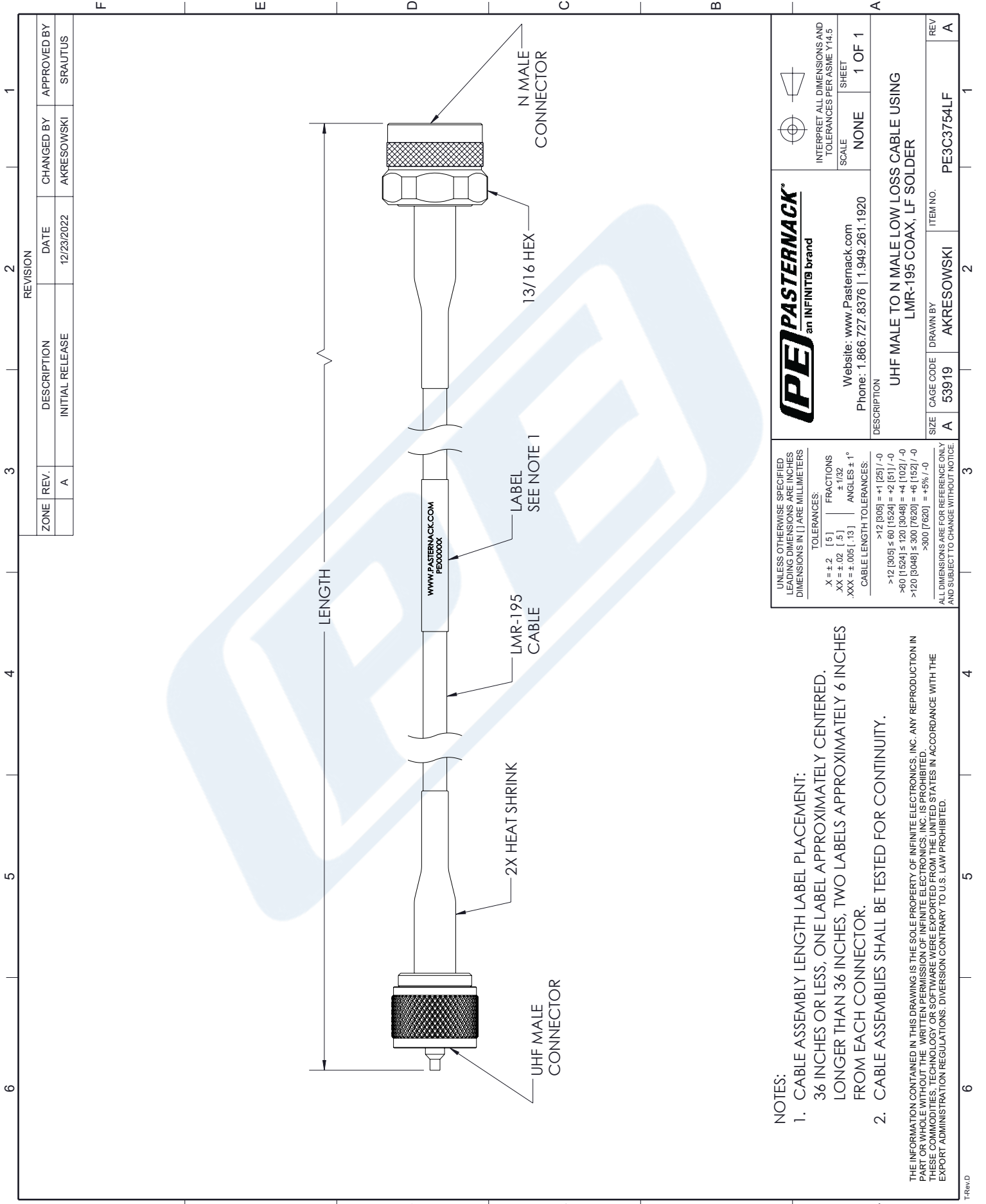
Click the following link (or enter part number in "SEARCH" on website) to obtain additional part information including price, inventory and certifications: [UHF Male to N Male Low Loss Cable Using LMR-195 Coax , LF Solder PE3C3754LF](#)

URL: <https://www.pasternack.com/uhf-male-to-n-male-low-loss-cable-using-lmr-195-lf-solder-pe3c3754lf-p.aspx>

The information contained in this document is accurate to the best of our knowledge and representative of the part described herein. It may be necessary to make modifications to the part and/or the documentation of the part, in order to implement improvements. Pasternack reserves the right to make such changes as required. Unless otherwise stated, all specifications are nominal. Pasternack does not make any representation or warranty regarding the suitability of the part described herein for any particular purpose, and Pasternack does not assume any liability arising out of the use of any part or documentation.

PE3C3754LF CAD Drawing

UHF Male to N Male Low Loss Cable Using LMR-195 Coax , LF Solder



NOTES:

1. CABLE ASSEMBLY LENGTH LABEL PLACEMENT:
36 INCHES OR LESS, ONE LABEL APPROXIMATELY CENTERED.
LONGER THAN 36 INCHES, TWO LABELS APPROXIMATELY 6 INCHES FROM EACH CONNECTOR.
2. CABLE ASSEMBLIES SHALL BE TESTED FOR CONTINUITY.

THE INFORMATION CONTAINED IN THIS DRAWING IS THE SOLE PROPERTY OF INFINITE ELECTRONICS, INC. ANY REPRODUCTION IN PART OR WHOLE WITHOUT THE WRITTEN PERMISSION OF INFINITE ELECTRONICS, INC. IS PROHIBITED. THESE COMMODITIES, TECHNOLOGY OR SOFTWARE WERE EXPORTED FROM THE UNITED STATES IN ACCORDANCE WITH THE EXPORT ADMINISTRATION REGULATIONS. DIVERSION CONTRARY TO U.S. LAW PROHIBITED.

UNLESS OTHERWISE SPECIFIED LEADING DIMENSIONS ARE INCHES DIMENSIONS IN [] ARE MILLIMETERS	
TOLERANCES:	FRACTIONS
X = ± 2 [.5]	± 1/32
.XX = ± .02 [.5]	ANGLES ± 1°
.XXX = ± .005 [.13]	CABLE LENGTH TOLERANCES:
	>12 [305] = ±1 [25] / -0
	>60 [1524] = ±2 [51] / -0
	>120 [3048] = ±4 [102] / -0
	>300 [7620] = ±8 [152] / -0
	>600 [15240] = ±16 [305] / -0
ALL DIMENSIONS ARE FOR REFERENCE ONLY AND SUBJECT TO CHANGE WITHOUT NOTICE	

PE PASTERNAK an INFINITB brand	
Website: www.Pastermack.com Phone: 1.866.727.8376 1.949.261.1920	
INTERPRET ALL DIMENSIONS AND TOLERANCES PER ASME Y14.5	SHEET 1 OF 1
SCALE NONE	
DESCRIPTION UHF MALE TO N MALE LOW LOSS CABLE USING LMR-195 COAX, LF SOLDER	
SIZE A	CAGE CODE 53919
DRAWN BY AKRESOWSKI	ITEM NO. PE3C3754LF
REV A	