

## N Male to SMA Male Low Loss Cable Using PE-P195 Coax



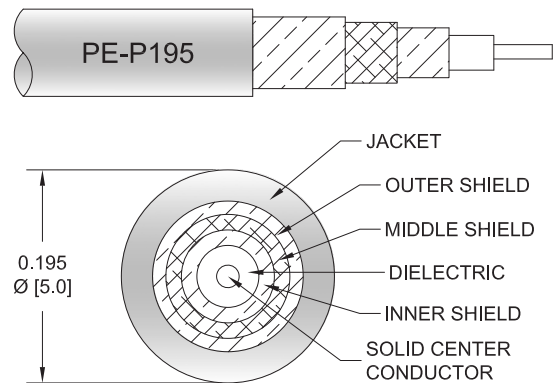
### PE3C5532

#### Configuration

- Connector 1: N Male
- Connector 2: SMA Male
- Cable Type: PE-P195
- Coax Flex Type: Flexible

#### Features

- Max Frequency 8 GHz
- 70% Phase Velocity
- Triple Shielded
- FEP Jacket



#### Applications

- General Purpose
- Laboratory Use

#### Description

Pasternack's PE3C5532 type N male to SMA male cable using PE-P195 coax is part of our full line of RF components available for same-day shipping. Pasternack's flexible RF cable assemblies are ideal for applications where tight bends and flexure are required. This Pasternack type N to SMA cable assembly has a male to male gender configuration with 50 ohm flexible PE-P195 coax. The PE3C5532 type N male to SMA male cable assembly operates to 8 GHz. The triple shielding of this Pasternack cable assembly provides excellent shielding effectiveness.

Custom versions of most RF cable assemblies can be built and shipped same day. Custom cable assembly lengths can be obtained by specifying the desired length on the web site at time of order or by contacting a sales representative. Other available RF cable assembly value added services include connector orientation or clocking, heat shrink booting and custom labeling. RF testing can also be performed to document the electrical performance of your cable assembly.

#### Electrical Specifications

| Description             | Minimum | Typical    | Maximum | Units        |
|-------------------------|---------|------------|---------|--------------|
| Frequency Range         | DC      |            | 8       | GHz          |
| VSWR                    |         |            | 1.4:1   |              |
| Velocity of Propagation |         | 70         |         | %            |
| Capacitance             |         | 29 [95.14] |         | pF/ft [pF/m] |

#### Specifications by Frequency

## N Male to SMA Male Low Loss Cable Using PE-P195 Coax



### PE3C5532

| Part Number | Length                   | Description           | F1        | F2    | F3    | F4    | F5    | Units | Weight (lbs) |
|-------------|--------------------------|-----------------------|-----------|-------|-------|-------|-------|-------|--------------|
|             |                          |                       | Frequency | 500   | 1000  | 2000  | 4000  | 8000  |              |
| PE3C5532    | Custom Lengths Available | Insertion Loss (Typ.) | 0.088     | 0.125 | 0.173 | 0.268 | 0.396 | dB/ft |              |
|             |                          |                       | 0.29      | 0.42  | 0.57  | 0.88  | 1.3   | dB/m  |              |
| PE3C5532-12 | 12 inch                  | Insertion Loss (Typ.) | 0.44      | 0.48  | 0.53  | 0.62  | 0.75  | dB    | 0.141        |
| PE3C5532-24 | 24 inch                  | Insertion Loss (Typ.) | 0.53      | 0.6   | 0.7   | 0.89  | 1.15  | dB    | 0.18         |
| PE3C5532-36 | 36 inch                  | Insertion Loss (Typ.) | 0.62      | 0.73  | 0.87  | 1.16  | 1.54  | dB    | 0.218        |
| PE3C5532-60 | 60 inch                  | Insertion Loss (Typ.) | 0.79      | 0.98  | 1.22  | 1.69  | 2.33  | dB    | 0.294        |
| PE3C5532-72 | 72 inch                  | Insertion Loss (Typ.) | 0.88      | 1.1   | 1.39  | 1.96  | 2.73  | dB    | 0.332        |

The insertion loss data for the base model does not include loss due to the connectors. Each length includes insertion loss due to the connectors.

|                             |                |
|-----------------------------|----------------|
| Loss due to Connector 1:    | 0.25 dB        |
| Loss due to Connector 2:    | 0.1 dB         |
| Base Weight:                | 0.141 pounds   |
| Additional Weight per Inch: | 0.00317 pounds |

### Mechanical Specifications

#### Cable Assembly

|                |                     |
|----------------|---------------------|
| Width/Diameter | 0.5 in [12.7 mm]    |
| Weight         | 0.141 lbs [63.96 g] |

#### Cable

|                                      |                            |
|--------------------------------------|----------------------------|
| Cable Type                           | PE-P195                    |
| Impedance                            | 50 Ohms                    |
| Inner Conductor Type                 | Solid                      |
| Inner Conductor Material and Plating | Copper Clad Steel, Silver  |
| Dielectric Type                      | PTFE                       |
| Number of Shields                    | 3                          |
| Shield Layer 1                       | Silver Plated Copper Braid |
| Shield Layer 2                       | Aluminum Tape              |
| Shield Layer 3                       | Silver Plated Copper Braid |
| Jacket Material                      | FEP, Tan                   |
| Jacket Diameter                      | 0.195 in [4.95 mm]         |
| Repeated Minimum Bend Radius         | 1 in [25.4 mm]             |

## N Male to SMA Male Low Loss Cable Using PE-P195 Coax



### PE3C5532

#### Connectors

| Description                       | Connector 1      | Connector 2                |
|-----------------------------------|------------------|----------------------------|
| Type                              | N Male           | SMA Male                   |
| Specification                     | MIL-STD-348      |                            |
| Impedance                         | 50 Ohms          | 50 Ohms                    |
| Configuration                     | Straight         | Straight                   |
| Mating Cycles                     | 500              |                            |
| Contact Material and Plating      | Brass, Gold      | Brass, Gold                |
| Contact Plating Specification     | 50 µin minimum   | ASTM B488                  |
| Dielectric Type                   | Teflon           | Teflon                     |
| Body Material and Plating         | Brass, Tri-Metal | Passivated Stainless Steel |
| Coupling Nut Material and Plating | Brass, Tri-Metal | Passivated Stainless Steel |
| Hex Size                          | 13/16 Inch       | 5/16 Inch                  |
| Torque                            | 9 in-lbs 1.02 Nm |                            |

#### Environmental Specifications

**Compliance Certifications** (see [product page](#) for current document)

#### Plotted and Other Data

Notes:

## N Male to SMA Male Low Loss Cable Using PE-P195 Coax



### PE3C5532

#### Typical Performance Data

#### How to Order

Part Number Configuration:

**PE3C5532**

**- xx**

**uu**

Unit of Measure:  
cm = Centimeters  
<blank> = Inches  
Length  
Base Number

Example: PE3C5532-12 = 12 inches long cable  
PE3C5532-100cm = 100 cm long cable

N Male to SMA Male Low Loss Cable Using PE-P195 Coax from Pasternack Enterprises has same day shipment for domestic and International orders. Our RF, microwave and millimeter wave products maintain a 99.4% availability and are part of the broadest selection in the industry.

Click the following link (or enter part number in "SEARCH" on website) to obtain additional part information including price, inventory and certifications: [N Male to SMA Male Low Loss Cable Using PE-P195 Coax PE3C5532](#)

URL: <https://www.pasternack.com/n-male-to-sma-male-low-loss-cable-using-pe-p195-pe3c5532-p.aspx>

The information contained within this document is accurate to the best of our knowledge and representative of the part described herein. It may be necessary to make modifications to the part and/or the documentation of the part in order to implement improvements. Pasternack Enterprises reserves the right to make such changes as required. Unless otherwise stated, all specifications are nominal. Pasternack Enterprises does not make any representation or warranty regarding the suitability of the part described herein for any particular purpose, and Pasternack Enterprises does not assume liability arising out of the use of any part or document.

# PE3C5532 CAD Drawing

N Male to SMA Male Low Loss Cable Using PE-P195 Coax

