

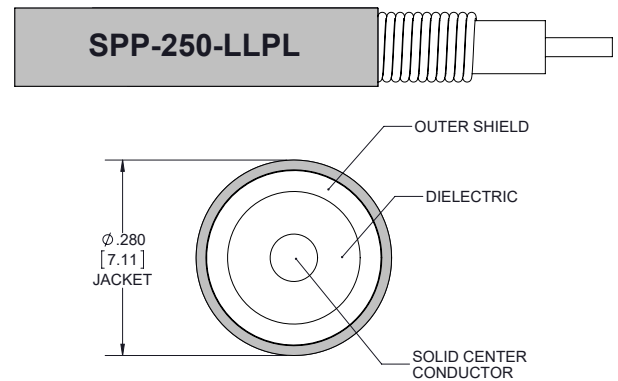
Plenum SMA Male to NEX10 Male
Low PIM Cable 60 Inch Length Using SPP-250-LLPL
Coax Using Times Microwave Parts



PE3C6258-60

Configuration

- Connector 1: SMA Male TC-SPP250-SM-LP
- Connector 2: NEX10 Male TC-250-NX10M-LP
- Cable Type: SPP-250-LLPL
- Coax Flex Type: Corrugated



Features

- Max Frequency 5.8 GHz
- Low PIM: -160 dBc Max
- Shielding Effectivity > 100 dB
- 76% Phase Velocity
- FEP Jacket
- 100% Tested with PIM Test Results Marked on Cable
- UL910 Plenum Rated Cable
- Lightweight and Extremely Flexible
- Low Loss with Excellent VSWR
- IP67 (when mated)
- Using Times Microwave Components

Applications

- General Purpose
- Laboratory Use
- Low PIM Applications
- Distributed Antenna Systems (DAS)
- Plenum Installations
- Multi-Carrier Communication Systems
- PIM Testing

Description

Pasternack's PE3C6258-60 SMA male to NEX10 male 60 inch cable using SPP-250-LLPL coax is part of our full line of RF components available for same-day shipping. Pasternack's corrugated RF cable assemblies are ideal for applications where durability and high power are needed. This Pasternack SMA to NEX10 cable assembly has a male to male gender configuration with 50 ohm corrugated SPP-250-LLPL coax. The PE3C6258-60 SMA male to NEX10 male cable assembly operates to 5.8 GHz. Our low PIM design also offers excellent passive intermodulation performance with PIM levels better than -160 dBc. Times Microwave cable is used in each assembly and TMS components are used to form connections with the super flexible low PIM cable. These cable assemblies are expertly built to satisfy your specific need with high quality Times Microwave Systems manufactured parts.

Custom versions of most RF cable assemblies can be built and shipped same day. Custom cable assembly lengths can be obtained by specifying the desired length on the web site at time of order or by contacting a sales representative. Other available RF cable assembly value added services include connector orientation or clocking, heat shrink booting and custom labeling. RF testing can also be performed to document the electrical performance of your cable assembly.

Electrical Specifications

Description	Minimum	Typical	Maximum	Units
Frequency Range	DC		5.8	GHz
VSWR			1.4:1	
Velocity of Propagation		76		%
RF Shielding	100			dB

Plenum SMA Male to NEX10 Male
Low PIM Cable 60 Inch Length Using SPP-250-LLPL
Coax Using Times Microwave Parts



PE3C6258-60

Electrical Specifications

Description	Minimum	Typical	Maximum	Units
Passive Intermodulation IM3 (2x43dBm Tones) at 850 MHz or 1900 MHz		-165	-160	dBc
Capacitance		27 [88.58]		pF/ft [pF/m]
Inductance		0.067 [0.22]		uH/ft [uH/m]
DC Resistance Inner Conductor		3 [9.84]		Ohms/1000ft [Ohms/Km]

Specifications by Frequency

Description	F1	F2	F3	F4	F5	Units
Frequency	0.45	0.7	1	2.5	5.8	GHz
Insertion Loss (Max.)	0.41	0.48	0.54	0.78	1.14	dB

Electrical Specification Notes:

PIM test results vary between cables

The Insertion Loss data above is based on the performance specifications of the coax used in this assembly. The Insertion Loss includes an estimated insertion loss of 0.15 dB for the SMA male connector and 0.1*SQRT(FGHz) dB for the NEX10 male connector.

Mechanical Specifications

Cable Assembly

Weight 0.41 lbs [185.97 g]

Cable

Cable Type SPP-250-LLPL
 Impedance 50 Ohms
 Inner Conductor Type Solid
 Inner Conductor Material and Plating Copper
 Dielectric Type PTFE
 Number of Shields 1
 Shield Layer 1 Helically Corrugated Copper Tube
 Outer Conductor 1 Material and Plating Copper
 Outer Conductor Diameter 0.25 in [6.35 mm]
 Jacket Material FEP, Blue
 Jacket Diameter 0.28 in [7.11 mm]
 One Time Minimum Bend Radius 1.25 in [31.75 mm]
 Bending Moment 0.8 lbs-ft [1.08 N-m]

Plenum SMA Male to NEX10 Male
Low PIM Cable 60 Inch Length Using SPP-250-LLPL
Coax Using Times Microwave Parts



PE3C6258-60

Connectors

Description	Connector 1	Connector 2
Type	SMA Male	NEX10 Male
Impedance	50 Ohms	50 Ohms
Configuration	Straight	Straight
Mating Cycles		500
Contact Material and Plating	Brass, Silver	Brass, Silver
Contact Plating Specification	196µ in	100 µin
Dielectric Type	PTFE	PTFE
Body Material and Plating	Brass, Tri-Metal	Brass, Tri-Metal
Body Plating Specification	118µ in	100 µin
Coupling Nut Material and Plating	Brass, Tri-Metal	Brass, Tri-Metal
Coupling Nut Plating Specification	118µ in	100 µin
Torque	10 in-lbs 1.13 Nm	13.28 in-lbs 1.5 Nm

Environmental Specifications

Operating Range Temperature	-55 to +200 deg C
Storage Range Temperature	-55 to +200 deg C
Plenum Rating	UL910

Compliance Certifications (see [product page](#) for current document)

Plotted and Other Data

Notes:
Values at 25°C, sea level.

Plenum SMA Male to NEX10 Male
Low PIM Cable 60 Inch Length Using SPP-250-LLPL
Coax Using Times Microwave Parts



PE3C6258-60

Typical Performance Data



Plenum SMA Male to NEX10 Male
Low PIM Cable 60 Inch Length Using SPP-250-LLPL
Coax Using Times Microwave Parts



PE3C6258-60

How to Order

Part Number Configuration:

PE3C6258

- **xx**

uu

Unit of Measure:
cm = Centimeters
<blank> = Inches
Length
Base Number

Example: PE3C6258-12 = 12 inches long cable
PE3C6258-100cm = 100 cm long cable

Plenum SMA Male to NEX10 Male Low PIM Cable 60 Inch Length Using SPP-250-LLPL Coax Using Times Microwave Parts from Pasternack Enterprises has same day shipment for domestic and International orders. Our RF, microwave and millimeter wave products maintain a 99.4% availability and are part of the broadest selection in the industry.

Click the following link (or enter part number in "SEARCH" on website) to obtain additional part information including price, inventory and certifications: [Plenum SMA Male to NEX10 Male Low PIM Cable 60 Inch Length Using SPP-250-LLPL Coax Using Times Microwave Parts PE3C6258-60](https://www.pasternack.com/sma-male-nex10-male-spp250llpl-cable-assembly-pe3c6258-60-p.aspx)

URL: <https://www.pasternack.com/sma-male-nex10-male-spp250llpl-cable-assembly-pe3c6258-60-p.aspx>

The information contained within this document is accurate to the best of our knowledge and representative of the part described herein. It may be necessary to make modifications to the part and/or the documentation of the part in order to implement improvements. Pasternack Enterprises reserves the right to make such changes as required. Unless otherwise stated, all specifications are nominal. Pasternack Enterprises does not make any representation or warranty regarding the suitability of the part described herein for any particular purpose, and Pasternack Enterprises does not assume liability arising out of the use of any part or document.

PE3C6258-60 CAD Drawing

Plenum SMA Male to NEX10 Male Low PIM Cable 60 Inch Length Using SPP-250-LLPL Coax Using Times Microwave Parts

