

Outdoor Rated N Male to N Male Right Angle
Low PIM Cable 50 cm Length Using SPO-250 Coax
Using Times Microwave Parts



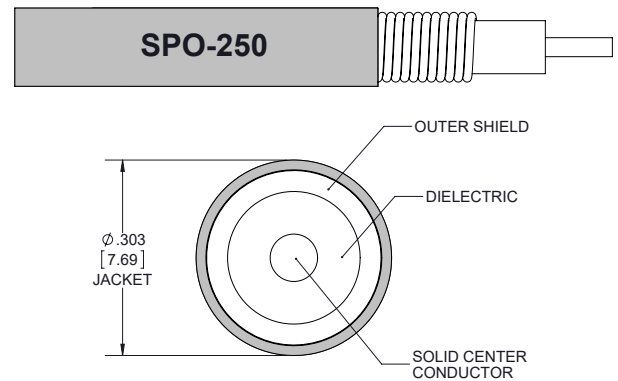
PE3C6346-50CM

Configuration

- Connector 1: N Male TC-250-NM-LP
- Connector 2: N Male Right Angle TC-SPO250-NM-RA-LP
- Cable Type: SPO-250
- Coax Flex Type: Corrugated

Features

- Max Frequency 5.8 GHz
- Low PIM: -160 dBc Max
- 83% Phase Velocity
- PE Jacket
- 100% Tested with PIM Test Results Marked on Cable
- Lightweight and Extremely Flexible
- Low Loss with Excellent VSWR
- IP67 (when mated)
- Using Times Microwave Components



Applications

- General Purpose
- Laboratory Use
- Low PIM Applications
- Distributed Antenna Systems (DAS)
- Multi-Carrier Communication Systems
- PIM Testing

Description

Pasternack's PE3C6346-50CM type N male to type N male right angle 50 cm cable using SPO-250 coax is part of our full line of RF components available for same-day shipping. Pasternack's corrugated RF cable assemblies are ideal for applications where durability and high power are needed. This Pasternack type N to type N cable assembly has a male to male gender configuration with 50 ohm corrugated SPO-250 coax. The PE3C6346-50CM type N male to type N male cable assembly operates to 5.8 GHz. Our low PIM design also offers excellent passive intermodulation performance with PIM levels better than -160 dBc. The right angle type N interface on the SPO-250 cable allows for easier connections in tight spaces. Times Microwave cable is used in each assembly and TMS components are used to form connections with the super flexible low PIM cable. These cable assemblies are expertly built to satisfy your specific need with high quality Times Microwave Systems manufactured parts.

Custom versions of most RF cable assemblies can be built and shipped same day. Custom cable assembly lengths can be obtained by specifying the desired length on the web site at time of order or by contacting a sales representative. Other available RF cable assembly value added services include connector orientation or clocking, heat shrink booting and custom labeling. RF testing can also be performed to document the electrical performance of your cable assembly.

Electrical Specifications

| Description | Minimum | Typical | Maximum | Units |
|--|---------|---------|---------|-------|
| Frequency Range | DC | | 5.8 | GHz |
| VSWR | | | 1.4:1 | |
| Velocity of Propagation | | 83 | | % |
| Passive Intermodulation | | -165 | -160 | dBc |
| IM3 (2x43dBm Tones) at 850 MHz or 1900 MHz | | | | |

Outdoor Rated N Male to N Male Right Angle
Low PIM Cable 50 cm Length Using SPO-250 Coax
Using Times Microwave Parts



PE3C6346-50CM

Electrical Specifications

| Description | Minimum | Typical | Maximum | Units |
|-------------|---------|--------------|---------|--------------|
| Capacitance | | 24 [78.74] | | pF/ft [pF/m] |
| Inductance | | 0.054 [0.18] | | uH/ft [uH/m] |

Specifications by Frequency

| Description | F1 | F2 | F3 | F4 | F5 | Units |
|-----------------------|------|------|------|------|------|-------|
| Frequency | 0.45 | 0.7 | 1 | 2.5 | 5.8 | GHz |
| Insertion Loss (Max.) | 0.21 | 0.26 | 0.31 | 0.49 | 0.76 | dB |

Electrical Specification Notes:

PIM test results vary between cables

The Insertion Loss data above is based on the performance specifications of the coax used in this assembly. The Insertion Loss includes an estimated insertion loss of $0.1 \cdot \sqrt{\text{FGHz}}$ dB per connector.

Mechanical Specifications

Cable Assembly

| | |
|----------------|---------------------|
| Width/Diameter | .94 in [23.88 mm] |
| Weight | 0.32 lbs [145.15 g] |

Cable

| | |
|--|----------------------------------|
| Cable Type | SPO-250 |
| Impedance | 50 Ohms |
| Inner Conductor Type | Solid |
| Inner Conductor Material and Plating | Copper Clad Aluminum |
| Dielectric Type | Foam PE |
| Number of Shields | 1 |
| Shield Layer 1 | Helically Corrugated Copper Tube |
| Outer Conductor 1 Material and Plating | Copper |
| Jacket Material | PE, Black |
| Jacket Diameter | 0.303 in [7.7 mm] |
| One Time Minimum Bend Radius | 1.25 in [31.75 mm] |
| Bending Moment | 0.5 lbs-ft [0.68 N-m] |

Outdoor Rated N Male to N Male Right Angle
Low PIM Cable 50 cm Length Using SPO-250 Coax
Using Times Microwave Parts



PE3C6346-50CM

Connectors

| Description | Connector 1 | Connector 2 |
|------------------------------------|--------------------|---------------------|
| Type | N Male | N Male Right Angle |
| Impedance | 50 Ohms | 50 Ohms |
| Configuration | Straight | Right Angle |
| Mating Cycles | 500 | |
| Contact Material and Plating | Brass, Silver | Brass, Silver |
| Contact Plating Specification | 200 µin | 200 µin |
| Dielectric Type | PTFE | PTFE |
| Body Material and Plating | Brass, Tri-Metal | Brass, Tri-Metal |
| Body Plating Specification | 80 µin | 80 µin |
| Coupling Nut Material and Plating | Brass, Tri-Metal | Brass, Tri-Metal |
| Coupling Nut Plating Specification | 80 µin | 80 µin |
| Torque | 9.74 in-lbs 1.1 Nm | 15.05 in-lbs 1.7 Nm |

Environmental Specifications

| | |
|-----------------------------|-------------------|
| Operating Range Temperature | -55 to +200 deg C |
| Storage Range Temperature | -55 to +200 deg C |

Compliance Certifications (see [product page](#) for current document)

Plotted and Other Data

Notes:
Values at 25°C, sea level.

Outdoor Rated N Male to N Male Right Angle
Low PIM Cable 50 cm Length Using SPO-250 Coax
Using Times Microwave Parts



PE3C6346-50CM

Typical Performance Data



Outdoor Rated N Male to N Male Right Angle
Low PIM Cable 50 cm Length Using SPO-250 Coax
Using Times Microwave Parts



PE3C6346-50CM

How to Order

Part Number Configuration:

PE3C6346

- **xx**

uu

Unit of Measure:
cm = Centimeters
<blank> = Inches
Length
Base Number

Example: PE3C6346-12 = 12 inches long cable
PE3C6346-100cm = 100 cm long cable

Outdoor Rated N Male to N Male Right Angle Low PIM Cable 50 cm Length Using SPO-250 Coax Using Times Microwave Parts from Pasternack Enterprises has same day shipment for domestic and International orders. Our RF, microwave and millimeter wave products maintain a 99.4% availability and are part of the broadest selection in the industry.

Click the following link (or enter part number in "SEARCH" on website) to obtain additional part information including price, inventory and certifications: [Outdoor Rated N Male to N Male Right Angle Low PIM Cable 50 cm Length Using SPO-250 Coax Using Times Microwave Parts PE3C6346-50CM](#)

URL: <https://www.pasternack.com/n-male-n-male-spo250-cable-assembly-pe3c6346-50cm-p.aspx>

The information contained within this document is accurate to the best of our knowledge and representative of the part described herein. It may be necessary to make modifications to the part and/or the documentation of the part in order to implement improvements. Pasternack Enterprises reserves the right to make such changes as required. Unless otherwise stated, all specifications are nominal. Pasternack Enterprises does not make any representation or warranty regarding the suitability of the part described herein for any particular purpose, and Pasternack Enterprises does not assume liability arising out of the use of any part or document.

PE3C6346-50CM CAD Drawing

Outdoor Rated N Male to N Male Right Angle Low PIM Cable 50 cm Length
Using SPO-250 Coax Using Times Microwave Parts

