

Outdoor Rated 4.3-10 Male to 4.3-10 Male
Low PIM Cable 12 Inch Length Using SPO-500 Coax
Using Times Microwave Parts



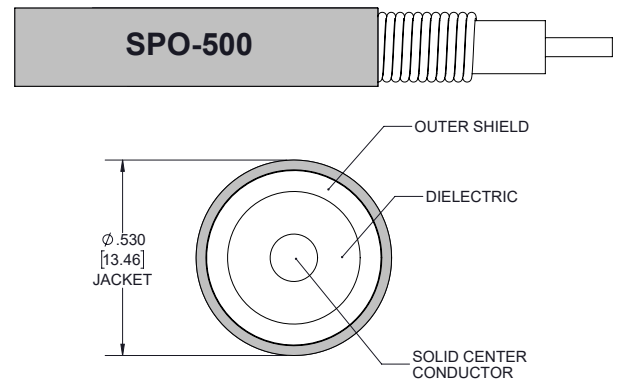
PE3C6513-12

Configuration

- Connector 1: 4.3-10 Male TC-500-4310M-LP
- Connector 2: 4.3-10 Male TC-500-4310M-LP
- Cable Type: SPO-500
- Coax Flex Type: Corrugated

Features

- Max Frequency 6 GHz
- Low PIM: -158 dBc Max
- 83% Phase Velocity
- PE Jacket
- 100% Tested with PIM Test Results Marked on Cable
- Lightweight and Extremely Flexible
- Low Loss with Excellent VSWR
- IP67 (when mated)
- Using Times Microwave Components



Applications

- General Purpose
- Laboratory Use
- Low PIM Applications
- Distributed Antenna Systems (DAS)
- Multi-Carrier Communication Systems
- PIM Testing

Description

Pasternack's PE3C6513-12 4.3-10 male to 4.3-10 male 12 inch cable using SPO-500 coax is part of our full line of RF components available for same-day shipping. Pasternack's corrugated RF cable assemblies are ideal for applications where durability and high power are needed. This Pasternack 4.3-10 to 4.3-10 cable assembly has a male to male gender configuration with 50 ohm corrugated SPO-500 coax. The PE3C6513-12 4.3-10 male to 4.3-10 male cable assembly operates to 6 GHz. Our low PIM design also offers excellent passive intermodulation performance with PIM levels better than -158 dBc. Times Microwave cable is used in each assembly and TMS components are used to form connections with the super flexible low PIM cable. These cable assemblies are expertly built to satisfy your specific need with high quality Times Microwave Systems manufactured parts.

Custom versions of most RF cable assemblies can be built and shipped same day. Custom cable assembly lengths can be obtained by specifying the desired length on the web site at time of order or by contacting a sales representative. Other available RF cable assembly value added services include connector orientation or clocking, heat shrink booting and custom labeling. RF testing can also be performed to document the electrical performance of your cable assembly.

Electrical Specifications

Description	Minimum	Typical	Maximum	Units
Frequency Range	DC		6	GHz
VSWR			1.4:1	
Velocity of Propagation		83		%
Passive Intermodulation			-158	dBc
IM3 (2x43dBm Tones) at 850 MHz or 1900 MHz				

Outdoor Rated 4.3-10 Male to 4.3-10 Male
Low PIM Cable 12 Inch Length Using SPO-500 Coax
Using Times Microwave Parts



PE3C6513-12

Electrical Specifications

Description	Minimum	Typical	Maximum	Units
Capacitance		24 [78.74]		pF/ft [pF/m]

Specifications by Frequency

Description	F1	F2	F3	F4	F5	Units
Frequency	0.5	1	2	6		GHz
Insertion Loss (Max.)	0.17	0.24	0.33	0.59		dB

Electrical Specification Notes:

PIM test results vary between cables

The Insertion Loss data above is based on the performance specifications of the coax used in this assembly. The Insertion Loss includes an estimated insertion loss of $0.1 \cdot \sqrt{\text{FGHz}}$ dB per connector.

Mechanical Specifications

Cable Assembly

Width/Diameter 1.14 in [28.96 mm]
Weight 0.3 lbs [136.08 g]

Cable

Cable Type SPO-500
Impedance 50 Ohms
Inner Conductor Type Solid
Inner Conductor Material and Plating Copper Clad Aluminum
Dielectric Type Foam PE
Number of Shields 1
Shield Layer 1 Helically Corrugated Copper Tube
Outer Conductor 1 Material and Plating Copper
Jacket Material PE, Black
Jacket Diameter 0.53 in [13.46 mm]
One Time Minimum Bend Radius 2.25 in [57.15 mm]

Outdoor Rated 4.3-10 Male to 4.3-10 Male
Low PIM Cable 12 Inch Length Using SPO-500 Coax
Using Times Microwave Parts



PE3C6513-12

Connectors

Description	Connector 1	Connector 2
Type	4.3-10 Male	4.3-10 Male
Impedance	50 Ohms	50 Ohms
Configuration	Straight	Straight
Contact Material and Plating	Brass, Silver	Brass, Silver
Contact Plating Specification	200 µin	200 µin
Dielectric Type	PTFE	PTFE
Body Material and Plating	Brass, Tri-Metal	Brass, Tri-Metal
Body Plating Specification	80 µin	80 µin
Coupling Nut Material and Plating	Brass, Tri-Metal	Brass, Tri-Metal
Coupling Nut Plating Specification	80 µin	80 µin

Environmental Specifications

Operating Range Temperature -40 to +85 deg C

Compliance Certifications (see [product page](#) for current document)

Plotted and Other Data

Notes:
Values at 25°C, sea level.

Outdoor Rated 4.3-10 Male to 4.3-10 Male
Low PIM Cable 12 Inch Length Using SPO-500 Coax
Using Times Microwave Parts



PE3C6513-12

Typical Performance Data



Outdoor Rated 4.3-10 Male to 4.3-10 Male
Low PIM Cable 12 Inch Length Using SPO-500 Coax
Using Times Microwave Parts



PE3C6513-12

How to Order

Part Number Configuration:

PE3C6513

- **xx**

uu

Unit of Measure:
cm = Centimeters
<blank> = Inches
Length
Base Number

Example: PE3C6513-12 = 12 inches long cable
PE3C6513-100cm = 100 cm long cable

Outdoor Rated 4.3-10 Male to 4.3-10 Male Low PIM Cable 12 Inch Length Using SPO-500 Coax Using Times Microwave Parts from Pasternack Enterprises has same day shipment for domestic and International orders. Our RF, microwave and millimeter wave products maintain a 99.4% availability and are part of the broadest selection in the industry.

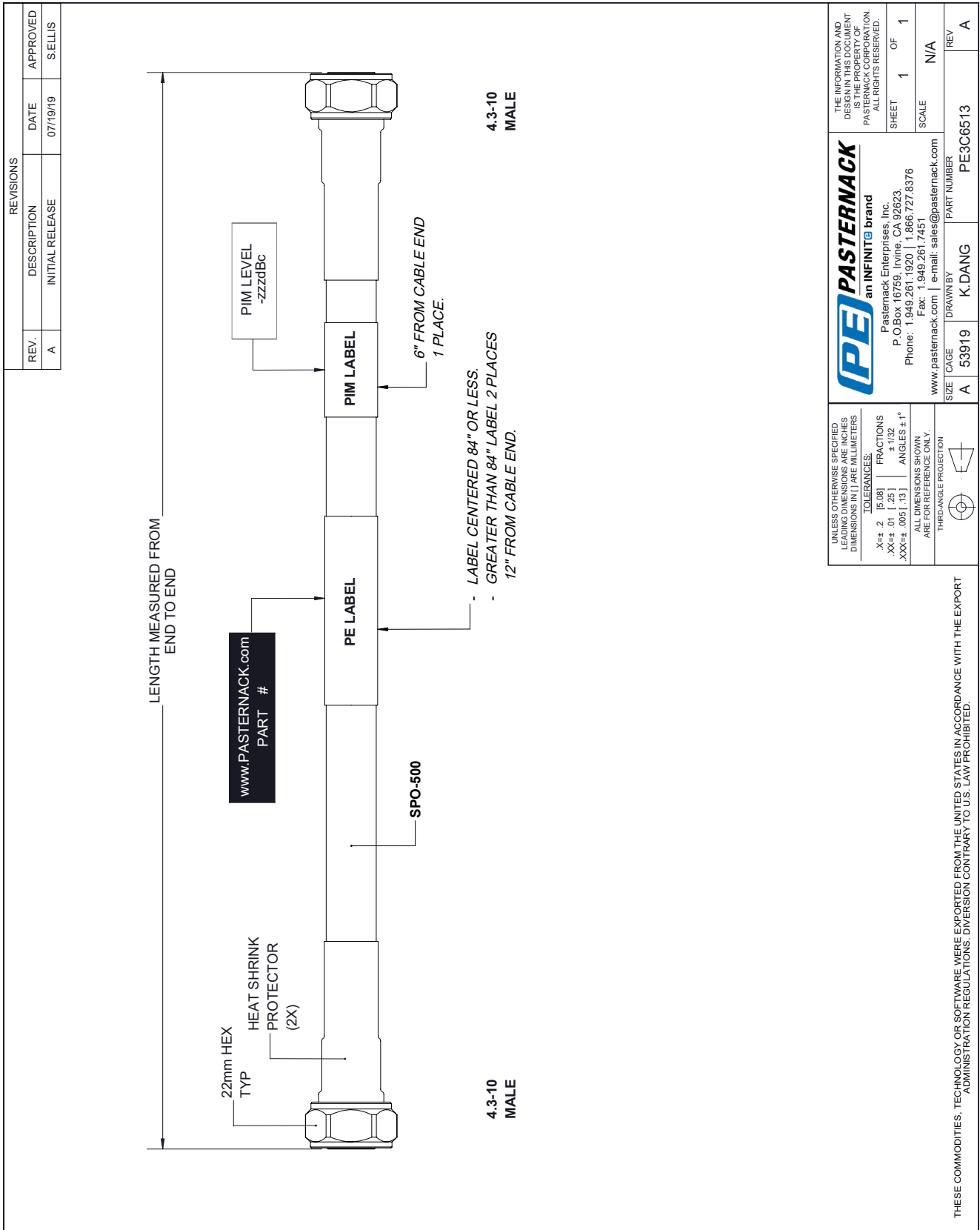
Click the following link (or enter part number in "SEARCH" on website) to obtain additional part information including price, inventory and certifications: [Outdoor Rated 4.3-10 Male to 4.3-10 Male Low PIM Cable 12 Inch Length Using SPO-500 Coax Using Times Microwave Parts PE3C6513-12](#)

URL: <https://www.pasternack.com/4.3-10-male-4.3-10-male-spo500-cable-assembly-pe3c6513-12-p.aspx>

The information contained within this document is accurate to the best of our knowledge and representative of the part described herein. It may be necessary to make modifications to the part and/or the documentation of the part in order to implement improvements. Pasternack Enterprises reserves the right to make such changes as required. Unless otherwise stated, all specifications are nominal. Pasternack Enterprises does not make any representation or warranty regarding the suitability of the part described herein for any particular purpose, and Pasternack Enterprises does not assume liability arising out of the use of any part or document.

PE3C6513-12 CAD Drawing

Outdoor Rated 4.3-10 Male to 4.3-10 Male Low PIM Cable 12 Inch Length
Using SPO-500 Coax Using Times Microwave Parts



REVISIONS		
REV.	DESCRIPTION	DATE
A	INITIAL RELEASE	07/19/19

UNLESS OTHERWISE SPECIFIED LEADING DIMENSIONS ARE INCHES DIMENSIONS IN [] ARE MILLIMETERS TOLERANCES: .X±.2 [.08] FRACTIONS .XX±.01 [.25] ± 1/32 .XXX±.005 [.13] ANGLES ± 1° ALL DIMENSIONS SHOWN ARE FOR REFERENCE ONLY.		THE INFORMATION AND DESIGN IN THIS DOCUMENT IS THE PROPERTY OF PASTERNAK CORPORATION. ALL RIGHTS RESERVED. SHEET 1 OF 1 SCALE N/A
www.pasternack.com PASTERNACK an INFINIT® brand Pasternack Enterprises, Inc. P.O. Box 16759, Irvine, CA 92623 Phone: 1.949.261.1920 1.866.727.8376 Fax: 1.949.261.7451 www.pasternack.com e-mail: sales@pasternack.com		PART NUMBER PE3C6513
SIZE A CAGE 53919 DRAWN BY K.DANG	PART NUMBER PE3C6513	REV A

THESE COMMODITIES, TECHNOLOGY OR SOFTWARE WERE EXPORTED FROM THE UNITED STATES IN ACCORDANCE WITH THE EXPORT ADMINISTRATION REGULATIONS. DIVERSION CONTRARY TO U.S. LAW PROHIBITED.

T-Rev.B