



## 4.1/9.5 Mini DIN Male to 4.1/9.5 Mini DIN Male Right Angle Cable 24 Inch Length Using 1/4 inch Superflexible Coax

### RF Cable Assemblies Technical Data Sheet

PE3C7820-24

#### Configuration

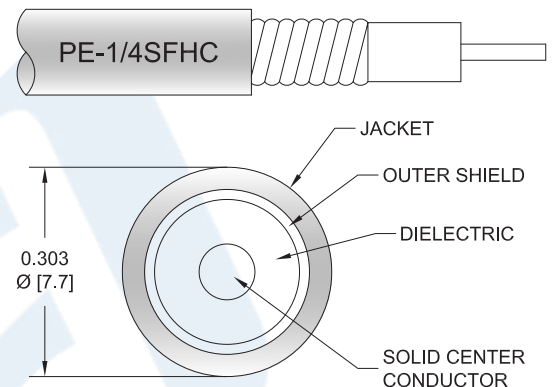
- Connector 1: 4.1/9.5 Mini DIN Male
- Connector 2: 4.1/9.5 Mini DIN Male Right Angle
- Cable Type: 1/4" Superflexible

#### Features

- Max Frequency 6 GHz
- Low PIM: -150 dBc Max
- Shielding Effectivity > 120 dB
- 82% Phase Velocity
- PE Jacket
- Low PIM and Low Loss
- 100% Tested with PIM Test Results Marked on Cable

#### Applications

- General Purpose
- Laboratory Use
- Distributed Antenna Systems (DAS)
- Low PIM Applications and PIM Testing



#### Description

Pasternack's PE3C7820-24 4.1/9.5 Mini DIN male to 4.1/9.5 Mini DIN male right angle 24 inch cable using 1/4 inch superflexible coax is part of our full line of RF components available for same-day shipping. Pasternack's corrugated RF cable assemblies are ideal for applications where durability and high power are needed. This Pasternack 4.1/9.5 Mini DIN to 4.1/9.5 Mini DIN cable assembly has a male to male gender configuration with 50 ohm corrugated 1/4" superflexible coax. The PE3C7820-24 4.1/9.5 Mini DIN male to 4.1/9.5 Mini DIN male cable assembly operates to 6 GHz. The right angle 4.1/9.5 Mini DIN interface on the 1/4" superflexible cable allows for easier connections in tight spaces.

Custom versions of most RF cable assemblies can be built and shipped same day. Custom cable assembly lengths can be obtained by specifying the desired length on the web site at time of order or by contacting a sales representative. Other available RF cable assembly value added services include connector orientation or clocking, heat shrink booting and custom labeling. RF testing can also be performed to document the electrical performance of your cable assembly.

Click the following link (or enter part number in "SEARCH" on website) to obtain additional part information including price, inventory and certifications: [4.1/9.5 Mini DIN Male to 4.1/9.5 Mini DIN Male Right Angle Cable 24 Inch Length Using 1/4 inch Superflexible Coax PE3C7820-24](#)



4.1/9.5 Mini DIN Male to 4.1/9.5 Mini DIN Male Right Angle  
Cable 24 Inch Length Using 1/4 inch Superflexible Coax

RF Cable Assemblies Technical Data Sheet

PE3C7820-24

**Electrical Specifications**

Description	Minimum	Typical	Maximum	Units
Frequency Range	DC		6	GHz
VSWR			1.5:1	
Velocity of Propagation		82		%
RF Shielding	120			dB
Passive Intermodulation			-150	dBc
Capacitance		24.4 [80.05]		pF/ft [pF/m]
Inductance		0.059 [0.19]		uH/ft [uH/m]
DC Resistance Inner Conductor		3.2 [10.5]		$\Omega$ /1000ft [ $\Omega$ /Km]
DC Resistance Outer Conductor		2.53 [8.3]		$\Omega$ /1000ft [ $\Omega$ /Km]
Jacket Spark			2,000	Vrms

**Specifications by Frequency**

Description	F1	F2	F3	F4	F5	Units
Frequency	0.1	0.25	0.5	1	3	GHz
Insertion Loss (Typ.)	0.28	0.3	0.32	0.36	0.46	dB

Electrical Specification Notes:

The Insertion Loss data above is based on the performance specifications of the coax and connectors used in this assembly. The Insertion Loss includes an estimated 0.15 dB for the right angle connector and 0.1 dB for the straight connector.

**Mechanical Specifications**

**Cable Assembly**

Length\* 24 in [609.6 mm]  
Diameter 0.94 in [23.88 mm]

**Cable**

Cable Type 1/4" Superflexible  
Impedance 50 Ohms  
Inner Conductor Type Solid  
Inner Conductor Material and Plating Copper Clad Aluminum  
Dielectric Type PE (F)  
Number of Shields 1  
Shield Layer 1 Helically Corrugated Copper Tube

Click the following link (or enter part number in "SEARCH" on website) to obtain additional part information including price, inventory and certifications: [4.1/9.5 Mini DIN Male to 4.1/9.5 Mini DIN Male Right Angle Cable 24 Inch Length Using 1/4 inch Superflexible Coax PE3C7820-24](#)



4.1/9.5 Mini DIN Male to 4.1/9.5 Mini DIN Male Right Angle  
Cable 24 Inch Length Using 1/4 inch Superflexible Coax

RF Cable Assemblies Technical Data Sheet

PE3C7820-24

Jacket Material	PE, Black
Jacket Diameter	0.303 in [7.7 mm]
One Time Minimum Bend Radius	0.5 in [12.7 mm]
Repeated Minimum Bend Radius	1 in [25.4 mm]
Typical Flex Cycles	20
Tensile Strength	79 lbs [35.83 Kg]

**Connectors**

Description	Connector 1	Connector 2
Type	4.1/9.5 Mini DIN Male	4.1/9.5 Mini DIN Male Right Angle
Specification	IEC 61169-11	IEC 61169-11
Impedance	50 Ohms	50 Ohms
Contact Material and Plating	Brass, Silver	Brass, Silver
Dielectric Type	PTFE	PTFE
Body Material and Plating	Brass, Tri-Metal	Brass, Tri-Metal
Coupling Nut Material and Plating	Brass, Tri-Metal	Brass, Tri-Metal

**Environmental Specifications**

**Temperature**

Operating Range -40 to +85 deg C

**Compliance Certifications** (see [product page](#) for current document)

**Plotted and Other Data**

Notes:

Click the following link (or enter part number in "SEARCH" on website) to obtain additional part information including price, inventory and certifications: [4.1/9.5 Mini DIN Male to 4.1/9.5 Mini DIN Male Right Angle Cable 24 Inch Length Using 1/4 inch Superflexible Coax PE3C7820-24](#)



4.1/9.5 Mini DIN Male to 4.1/9.5 Mini DIN Male Right Angle  
Cable 24 Inch Length Using 1/4 inch Superflexible Coax

RF Cable Assemblies Technical Data Sheet

PE3C7820-24

**How to Order**

Part Number Configuration:

**PE3C7820**

- **xx**

**uu**

Unit of Measure:  
cm = Centimeters  
<blank> = Inches  
Length  
Base Number

Example: PE3C7820-12 = 12 inches long cable  
PE3C7820-100cm = 100 cm long cable

4.1/9.5 Mini DIN Male to 4.1/9.5 Mini DIN Male Right Angle Cable 24 Inch Length Using 1/4 inch Superflexible Coax from Pasternack Enterprises has same day shipment for domestic and International orders. Our RF, microwave and millimeter wave products maintain a 99.4% availability and are part of the broadest selection in the industry.

Click the following link (or enter part number in "SEARCH" on website) to obtain additional part information including price, inventory and certifications: [4.1/9.5 Mini DIN Male to 4.1/9.5 Mini DIN Male Right Angle Cable 24 Inch Length Using 1/4 inch Superflexible Coax PE3C7820-24](https://www.pasternack.com/4.1-9.5-male-4.1-9.5-male-pe-1-4-sfhc-cable-assembly-pe3c7820-p.aspx)

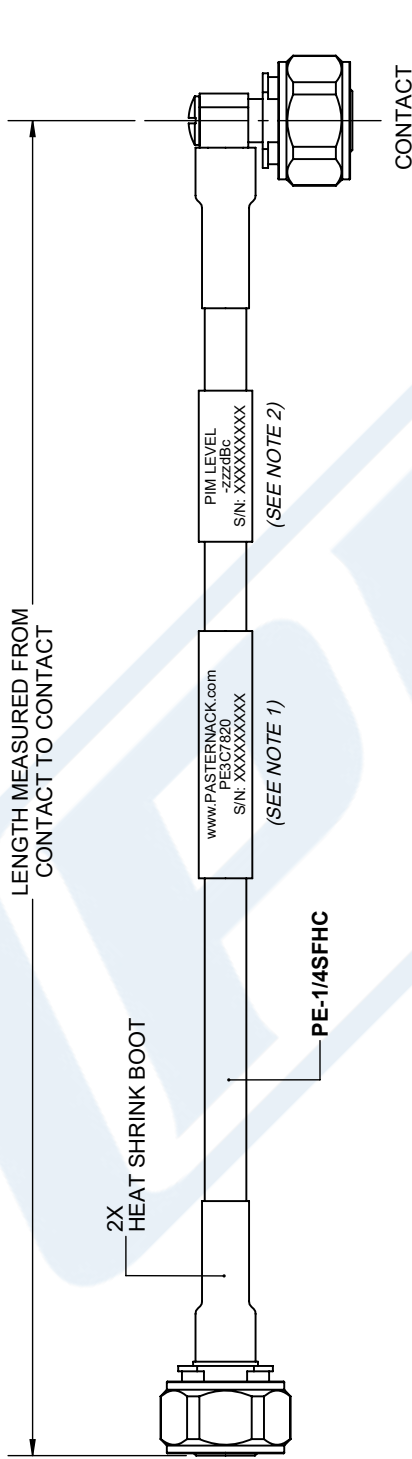
URL: <https://www.pasternack.com/4.1-9.5-male-4.1-9.5-male-pe-1-4-sfhc-cable-assembly-pe3c7820-p.aspx>

The information contained in this document is accurate to the best of our knowledge and representative of the part described herein. It may be necessary to make modifications to the part and/or the documentation of the part, in order to implement improvements. Pasternack reserves the right to make such changes as required. Unless otherwise stated, all specifications are nominal. Pasternack does not make any representation or warranty regarding the suitability of the part described herein for any particular purpose, and Pasternack does not assume any liability arising out of the use of any part or documentation.

# PE3C7820-24 CAD Drawing

4.1/9.5 Mini DIN Male to 4.1/9.5 Mini DIN Male Right Angle Cable  
24 Inch Length Using 1/4 inch Superflexible Coax

REVISIONS		
REV.	DESCRIPTION	DATE
A	INITIAL RELEASE	1/12/2021
		APPROVED
		S. ELLIS



4.1/9.5 Mini DIN MALE

**NOTES:**

1. CABLES 84" AND UNDER HAVE 1 LABEL CENTERED. CABLES OVER 84" HAVE 2 LABELS, ONE AT EACH END 12.0" FROM THE END OF THE CONNECTOR.
2. 6" FROM CABLE END 1 PLACE FOR ALL LENGTHS OF CABLE.

THESE COMMODITIES, TECHNOLOGY OR SOFTWARE WERE EXPORTED FROM THE UNITED STATES IN ACCORDANCE WITH THE EXPORT ADMINISTRATION REGULATIONS. DIVERSION CONTRARY TO U.S. LAW PROHIBITED.

UNLESS OTHERWISE SPECIFIED LEADING DIMENSIONS ARE INCHES DIMENSIONS IN [ ] ARE MILLIMETERS	
TOLERANCES:	FRACTIONS
.X = ±.2 [ .51 ]	±.1/32
.XX = ±.02 [ .51 ]	±.1/32
.XXX = ±.005 [ .13 ]	ANGLES ± 1°
CABLE LENGTH (L), TOLERANCES:	
L ≤ 12 [305]	±.1 [25] / -0
12 [305] < L ≤ 60 [1524]	±.2 [51] / -0
60 [1524] < L ≤ 120 [3048]	±.4 [102] / -0
120 [3048] < L ≤ 300 [7620]	±.6 [152] / -0
300 [7620] < L	±.5% L / -0
ALL DIMENSIONS SHOWN ARE FOR REFERENCE ONLY.	

**PE PASTERNAK**  
an INFINITE brand

Pasternack Enterprises, Inc.  
P. O. Box 16759, Irvine, CA 92623.  
Phone: 1.949.261.1920 | 1.866.727.8376  
Fax: 1.949.261.7451  
Website: www.pasternack.com  
E-mail: sales@pasternack.com

SIZE	A	CAGE CODE	53919	DRAWN BY	K.DANG	ITEM NO.	PE3C7820
SCALE	N/A		SHEET	1	OF	1	REV
							A

THIRD-ANGLE PROJECTION	
THE INFORMATION AND DESIGN IN THIS DOCUMENT IS THE PROPERTY OF PASTERNAK CORPORATION. ALL RIGHTS RESERVED.	
SHEET	1 OF 1
SCALE	N/A
REV	A