



## 4.3-10 Male Right Angle to 4.3-10 Female Bulkhead Low PIM Cable 100 Cm Length Using 1/4 inch Superflexible Coax

### RF Cable Assemblies Technical Data Sheet

PE3C7833-100CM

#### Configuration

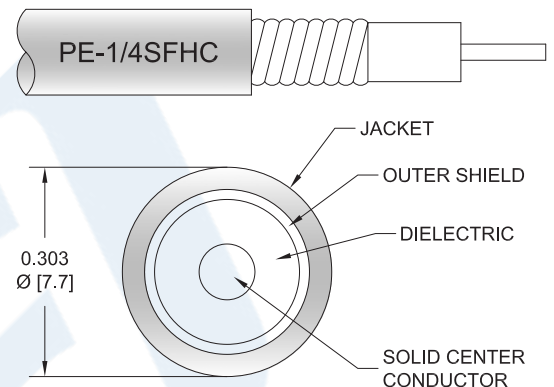
- Connector 1: 4.3-10 Male Right Angle
- Connector 2: 4.3-10 Female Bulkhead
- Cable Type: 1/4" Superflexible

#### Features

- Max Frequency 6 GHz
- Low PIM: -150 dBc Max
- Shielding Effectivity > 120 dB
- 82% Phase Velocity
- PE Jacket
- Low PIM and Low Loss
- 100% Tested with PIM Test Results Marked on Cable

#### Applications

- General Purpose
- Laboratory Use
- Low PIM Applications
- Distributed Antenna Systems (DAS)
- Low PIM Applications and PIM Testing



#### Description

Pasternack's PE3C7833-100CM 4.3-10 male right angle to 4.3-10 female bulkhead 100 cm cable using 1/4 inch superflexible coax is part of our full line of RF components available for same-day shipping. Pasternack's corrugated RF cable assemblies are ideal for applications where durability and high power are needed. This Pasternack 4.3-10 to 4.3-10 cable assembly has a male to female gender configuration with 50 ohm corrugated 1/4" superflexible coax. The PE3C7833-100CM 4.3-10 male to 4.3-10 female cable assembly operates to 6 GHz. Our low PIM design also offers excellent passive intermodulation performance with PIM levels better than -150 dBc. The right angle 4.3-10 interface on the 1/4" superflexible cable allows for easier connections in tight spaces. Our RF cable assembly with 4.3-10 bulkhead interface allows designers to create external connections on their product enclosures, and can be used in a variety of other rack mount and panel mount applications.

Custom versions of most RF cable assemblies can be built and shipped same day. Custom cable assembly lengths can be obtained by specifying the desired length on the web site at time of order or by contacting a sales representative. Other available RF cable assembly value added services include connector orientation or clocking, heat shrink booting and custom labeling. RF testing can also be performed to document the electrical performance of your cable assembly.

Click the following link (or enter part number in "SEARCH" on website) to obtain additional part information including price, inventory and certifications: [4.3-10 Male Right Angle to 4.3-10 Female Bulkhead Low PIM Cable 100 Cm Length Using 1/4 inch Superflexible Coax PE3C7833-100CM](#)



## 4.3-10 Male Right Angle to 4.3-10 Female Bulkhead Low PIM Cable 100 Cm Length Using 1/4 inch Superflexible Coax

### RF Cable Assemblies Technical Data Sheet

PE3C7833-100CM

#### Electrical Specifications

Description	Minimum	Typical	Maximum	Units
Frequency Range	DC		6	GHz
VSWR			1.5:1	
Velocity of Propagation		82		%
RF Shielding	120			dB
Passive Intermodulation			-150	dBc
Capacitance		24.4 [80.05]		pF/ft [pF/m]
Inductance		0.059 [0.19]		uH/ft [uH/m]
DC Resistance Inner Conductor		3.2 [10.5]		$\Omega$ /1000ft [ $\Omega$ /Km]
DC Resistance Outer Conductor		2.53 [8.3]		$\Omega$ /1000ft [ $\Omega$ /Km]
Jacket Spark			2,000	Vrms

#### Specifications by Frequency

Description	F1	F2	F3	F4	F5	Units
Frequency	0.1	0.25	0.5	1	3	GHz
Insertion Loss (Typ.)	0.3	0.33	0.37	0.43	0.6	dB

#### Electrical Specification Notes:

The Insertion Loss data above is based on the performance specifications of the coax and connectors used in this assembly. The Insertion Loss includes an estimated 0.15 dB for the right angle connector and 0.1 dB for the straight connector.

#### Mechanical Specifications

##### Cable Assembly

Length\* 39.37 in [100 cm]

##### Cable

Cable Type 1/4" Superflexible  
 Impedance 50 Ohms  
 Inner Conductor Type Solid  
 Inner Conductor Material and Plating Copper Clad Aluminum  
 Dielectric Type PE (F)  
 Number of Shields 1  
 Shield Layer 1 Helically Corrugated Copper Tube  
 Jacket Material PE, Black  
 Jacket Diameter 0.303 in [7.7 mm]

Click the following link (or enter part number in "SEARCH" on website) to obtain additional part information including price, inventory and certifications: [4.3-10 Male Right Angle to 4.3-10 Female Bulkhead Low PIM Cable 100 Cm Length Using 1/4 inch Superflexible Coax PE3C7833-100CM](#)



4.3-10 Male Right Angle to 4.3-10 Female Bulkhead Low PIM  
Cable 100 Cm Length Using 1/4 inch Superflexible Coax

RF Cable Assemblies Technical Data Sheet

PE3C7833-100CM

One Time Minimum Bend Radius	0.5 in [12.7 mm]
Repeated Minimum Bend Radius	1 in [25.4 mm]
Typical Flex Cycles	20
Tensile Strength	79 lbs [35.83 Kg]

**Connectors**

Description	Connector 1	Connector 2
Type	4.3-10 Male Right Angle	4.3-10 Female Bulkhead
Specification	IEC 61169-54	IEC 61169-54
Impedance	50 Ohms	50 Ohms
Contact Material and Plating	Brass, Silver	
Dielectric Type	PTFE	PTFE
Outer Conductor Material and Plating		Bronze, Tri-Metal
Body Material and Plating	Brass, Tri-Metal	Brass, Tri-Metal
Coupling Nut Material and Plating	Brass, Tri-Metal	

**Environmental Specifications**

**Temperature**

Operating Range	-40 to +85 deg C
-----------------	------------------

**Compliance Certifications** (see [product page](#) for current document)

**Plotted and Other Data**

Notes:

Click the following link (or enter part number in "SEARCH" on website) to obtain additional part information including price, inventory and certifications: [4.3-10 Male Right Angle to 4.3-10 Female Bulkhead Low PIM Cable 100 Cm Length Using 1/4 inch Superflexible Coax PE3C7833-100CM](#)



4.3-10 Male Right Angle to 4.3-10 Female Bulkhead Low PIM  
Cable 100 Cm Length Using 1/4 inch Superflexible Coax

RF Cable Assemblies Technical Data Sheet

PE3C7833-100CM

**How to Order**

Part Number Configuration:

**PE3C7833**

- **xx**

**uu**

Unit of Measure:  
cm = Centimeters  
<blank> = Inches  
Length  
Base Number

Example: PE3C7833-12 = 12 inches long cable  
PE3C7833-100cm = 100 cm long cable

4.3-10 Male Right Angle to 4.3-10 Female Bulkhead Low PIM Cable 100 Cm Length Using 1/4 inch Superflexible Coax from Pasternack Enterprises has same day shipment for domestic and International orders. Our RF, microwave and millimeter wave products maintain a 99.4% availability and are part of the broadest selection in the industry.

Click the following link (or enter part number in "SEARCH" on website) to obtain additional part information including price, inventory and certifications: [4.3-10 Male Right Angle to 4.3-10 Female Bulkhead Low PIM Cable 100 Cm Length Using 1/4 inch Superflexible Coax PE3C7833-100CM](#)

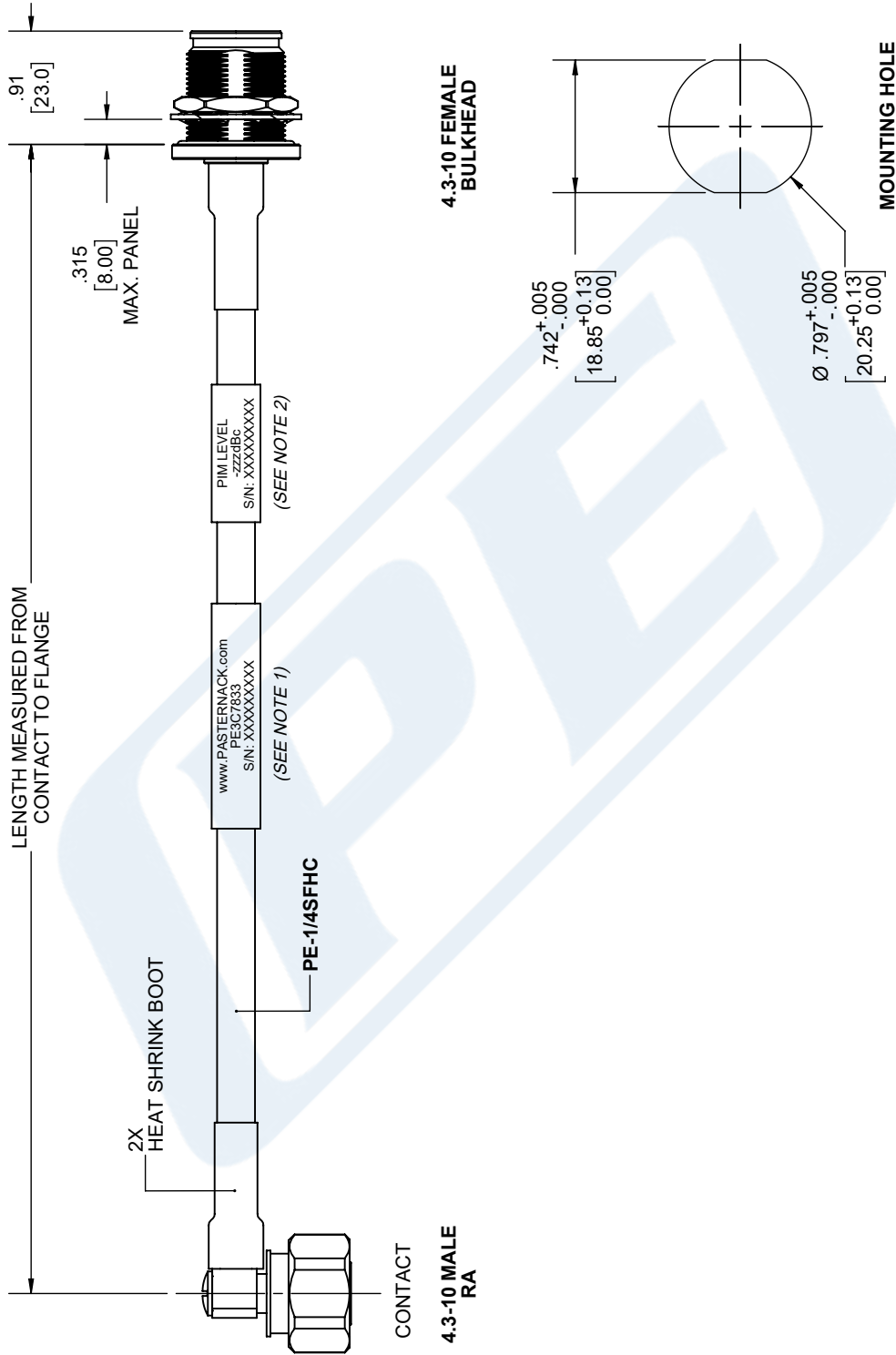
URL: <https://www.pasternack.com/4.3-10-male-4.3-10-female-pe-1-4-sfhc-cable-pe3c7833-100cm-p.aspx>

The information contained in this document is accurate to the best of our knowledge and representative of the part described herein. It may be necessary to make modifications to the part and/or the documentation of the part, in order to implement improvements. Pasternack reserves the right to make such changes as required. Unless otherwise stated, all specifications are nominal. Pasternack does not make any representation or warranty regarding the suitability of the part described herein for any particular purpose, and Pasternack does not assume any liability arising out of the use of any part or documentation.

# PE3C7833-100CM CAD Drawing

4.3-10 Male Right Angle to 4.3-10 Female Bulkhead Low PIM  
Cable 100 Cm Length Using 1/4 inch Superflexible Coax

REVISIONS			
REV.	DESCRIPTION	DATE	APPROVED
A	INITIAL RELEASE	1/14/2021	S. ELLIS



### NOTES:

1. CABLES 84" AND UNDER HAVE 1 LABEL CENTERED. CABLES OVER 84" HAVE 2 LABELS, ONE AT EACH END 12.0" FROM THE END OF THE CONNECTOR.
2. 6" FROM CABLE END 1 PLACE FOR ALL LENGTHS OF CABLE.

UNLESS OTHERWISE SPECIFIED  
LEADING DIMENSIONS ARE INCHES  
DIMENSIONS IN [ ] ARE MILLIMETERS

TOLERANCES:  
 .X = ± 2 [508] FRACTIONS ± 1/32  
 .XX = ± 02 [51] ANGLES ± 1°  
 .XXX = ± 005 [13]  
 CABLE LENGTH (L), TOLERANCES:  
 L ≤ 12 [305] = +1 [25] / -0  
 12 [305] < L ≤ 60 [1524] = +2 [51] / -0  
 60 [1524] < L ≤ 120 [3048] = +4 [102] / -0  
 120 [3048] < L ≤ 300 [7620] = +6 [152] / -0  
 300 [7620] < L = +5% / -0

ALL DIMENSIONS SHOWN  
ARE FOR REFERENCE ONLY.

THIRD-ANGLE PROJECTION

THE INFORMATION AND  
DESIGN IN THIS DOCUMENT  
IS THE PROPERTY OF  
PASTERNAK CORPORATION  
ALL RIGHTS RESERVED.

SHEET 1 OF 1

SCALE N/A

REV A

**PE PASTERNAK**  
an INFINITE brand

Pastermack Enterprises, Inc.  
P.O. Box 16759, Irvine, CA 92623.  
Phone: 1.949.261.1920 | 1.866.727.8376  
Fax: 1.949.261.7451  
Website: www.pastermack.com  
E-mail: sales@pastermack.com

ITEM NO. PE3C7833

SIZE A CAGE CODE 53919 DRAWN BY K.DANG

THESE COMMODITIES, TECHNOLOGY OR SOFTWARE WERE EXPORTED FROM THE UNITED STATES IN ACCORDANCE WITH THE EXPORT ADMINISTRATION REGULATIONS. DIVERSION CONTRARY TO U.S. LAW PROHIBITED.