



Outdoor Rated 7/16 DIN Male to N Female  
 Low PIM Cable 150 CM Length Using  
 SPO-375 Coax Using Times Microwave Parts

## RF Cable Assemblies Technical Data Sheet

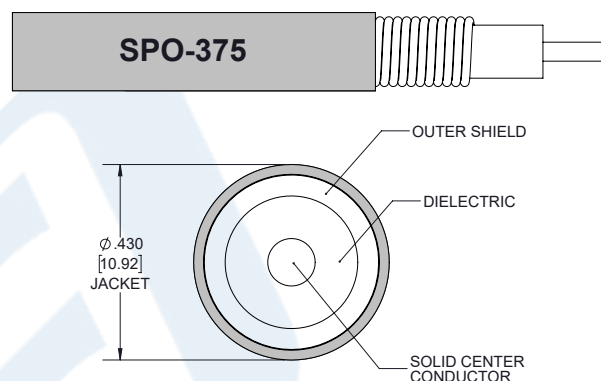
PE3C8513-150CM

### Configuration

- Connector 1: 7/16 DIN Male
- Connector 2: N Female
- Cable Type: SPO-375

### Features

- Max Frequency 6 GHz
- Low PIM: -160 dBc Max
- 83% Phase Velocity
- PE Jacket
- 100% Tested with PIM Test Results Marked on Cable
- Lightweight and Extremely Flexible
- Low Loss with Excellent VSWR
- IP67 (when mated)
- Using Times Microwave Components



### Applications

- General Purpose
- Laboratory Use
- Low PIM Applications
- Outdoor Rated Applications
- Distributed Antenna Systems (DAS)
- Multi-Carrier Communication Systems
- PIM Testing

### Description

Pasternack's PE3C8513-150CM 7/16 DIN male to type N female 150 cm cable using SPO-375 coax is part of our full line of RF components available for same-day shipping. Pasternack's corrugated RF cable assemblies are ideal for applications where durability and high power are needed. This Pasternack 7/16 DIN to type N cable assembly has a male to female gender configuration with 50 ohm corrugated SPO-375 coax. The PE3C8513-150CM 7/16 DIN male to type N female cable assembly operates to 6 GHz. Our low PIM design also offers excellent passive intermodulation performance with PIM levels better than -160 dBc.

Custom versions of most RF cable assemblies can be built and shipped same day. Custom cable assembly lengths can be obtained by specifying the desired length on the web site at time of order or by contacting a sales representative. Other available RF cable assembly value added services include connector orientation or clocking, heat shrink booting and custom labeling. RF testing can also be performed to document the electrical performance of your cable assembly.

### Electrical Specifications

Description	Minimum	Typical	Maximum	Units
Frequency Range	DC		6	GHz
VSWR			1.4:1	
Velocity of Propagation		83		%
Passive Intermodulation			-160	dBc

Click the following link (or enter part number in "SEARCH" on website) to obtain additional part information including price, inventory and certifications: [Outdoor Rated 7/16 DIN Male to N Female Low PIM Cable 150 CM Length Using SPO-375 Coax Using Times Microwave Parts PE3C8513-150CM](#)



Outdoor Rated 7/16 DIN Male to N Female  
 Low PIM Cable 150 CM Length Using  
 SPO-375 Coax Using Times Microwave Parts

## RF Cable Assemblies Technical Data Sheet

PE3C8513-150CM

Capacitance 24 [78.74] pF/ft [pF/m]

### Specifications by Frequency

Description	F1	F2	F3	F4	F5	Units
Frequency	0.5	1	2.5	4	6	GHz
Insertion Loss (Typ.)	0.29	0.42	0.66	0.85	1.07	dB

#### Electrical Specification Notes:

The Insertion Loss data above is based on the performance specifications of the coax and connectors used in this assembly. The Insertion Loss includes an estimated insertion loss of  $0.1 \cdot \sqrt{\text{FGHz}}$  dB per connector.

### Mechanical Specifications

#### Cable Assembly

Length\* 59.05 in [149.99 cm]  
 Diameter 0 in [0 mm]

#### Cable

Cable Type SPO-375  
 Impedance 50 Ohms  
 Inner Conductor Type Solid  
 Inner Conductor Material and Plating Copper Clad Aluminum  
 Dielectric Type Foam PE  
 Number of Shields 1  
 Outer Conductor Material and Plating Copper  
 Jacket Material PE, Black  
 Jacket Diameter 0.43 in [10.92 mm]  
 One Time Minimum Bend Radius 1.75 in [44.45 mm]

Click the following link (or enter part number in "SEARCH" on website) to obtain additional part information including price, inventory and certifications: [Outdoor Rated 7/16 DIN Male to N Female Low PIM Cable 150 CM Length Using SPO-375 Coax Using Times Microwave Parts PE3C8513-150CM](#)



Outdoor Rated 7/16 DIN Male to N Female  
 Low PIM Cable 150 CM Length Using  
 SPO-375 Coax Using Times Microwave Parts

## RF Cable Assemblies Technical Data Sheet

PE3C8513-150CM

### Connectors

Description	Connector 1	Connector 2
Type	7/16 DIN Male	N Female
Impedance	50 Ohms	50 Ohms
Contact Material and Plating	Brass, Silver	Brass, Silver
Contact Plating Specification	200 µin	196 µin
Dielectric Type	PTFE	PTFE
Outer Conductor Material and Plating		Brass, Tri-Metal
Outer Conductor Plating Specification		118 µin
Body Material and Plating	Brass, Tri-Metal	
Body Plating Specification	100 µin	
Coupling Nut Material and Plating	Brass, Tri-Metal	Brass, Tri-Metal
Coupling Nut Plating Specification	100 µin	118 µin
Torque		6 in-lbs [0.68 Nm]

### Environmental Specifications

#### Temperature

Operating Range -40 to +85 deg C

**Compliance Certifications** (see [product page](#) for current document)

### Plotted and Other Data

Notes:

Click the following link (or enter part number in "SEARCH" on website) to obtain additional part information including price, inventory and certifications: [Outdoor Rated 7/16 DIN Male to N Female Low PIM Cable 150 CM Length Using SPO-375 Coax Using Times Microwave Parts PE3C8513-150CM](#)



Outdoor Rated 7/16 DIN Male to N Female  
Low PIM Cable 150 CM Length Using  
SPO-375 Coax Using Times Microwave Parts

## RF Cable Assemblies Technical Data Sheet

PE3C8513-150CM

### How to Order

Part Number Configuration:

**PE3C8513**

- **xx**

**uu**

Unit of Measure:

cm = Centimeters

<blank> = Inches

Length

Base Number

Example: PE3C8513-12 = 12 inches long cable  
PE3C8513-100cm = 100 cm long cable

Outdoor Rated 7/16 DIN Male to N Female Low PIM Cable 150 CM Length Using SPO-375 Coax Using Times Microwave Parts from Pasternack Enterprises has same day shipment for domestic and International orders. Our RF, microwave and millimeter wave products maintain a 99.4% availability and are part of the broadest selection in the industry.

Click the following link (or enter part number in "SEARCH" on website) to obtain additional part information including price, inventory and certifications: [Outdoor Rated 7/16 DIN Male to N Female Low PIM Cable 150 CM Length Using SPO-375 Coax Using Times Microwave Parts PE3C8513-150CM](#)

URL: <https://www.pasternack.com/7-16-din-male-n-female-spo375-cable-assembly-pe3c8513-150cm-p.aspx>

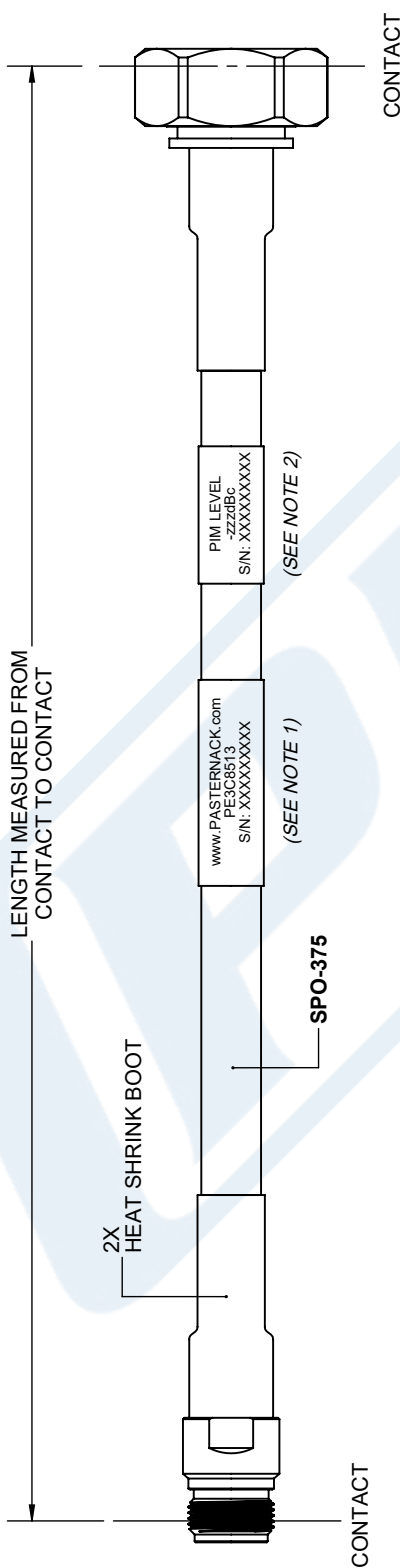
The information contained in this document is accurate to the best of our knowledge and representative of the part described herein. It may be necessary to make modifications to the part and/or the documentation of the part, in order to implement improvements. Pasternack reserves the right to make such changes as required. Unless otherwise stated, all specifications are nominal. Pasternack does not make any representation or warranty regarding the suitability of the part described herein for any particular purpose, and Pasternack does not assume any liability arising out of the use of any part or documentation.

# PE3C8513-150CM CAD Drawing

Outdoor Rated 7/16 DIN Male to N Female Low PIM Cable 150 CM

Length Using SPO-375 Coax Using Times Microwave Parts

REVISIONS		
REV.	DESCRIPTION	DATE
A	INITIAL RELEASE	9/21/2021
		A. GANWANI



N FEMALE

7/16 DIN MALE

**NOTES:**

1. CABLES 84" AND UNDER HAVE 1 LABEL CENTERED. CABLES OVER 84" HAVE 2 LABELS, ONE AT EACH END 12.0" FROM THE END OF THE CONNECTOR.
2. 6" FROM CABLE END 1 PLACE FOR ALL LENGTHS OF CABLE.

THESE COMMODITIES, TECHNOLOGY OR SOFTWARE WERE EXPORTED FROM THE UNITED STATES IN ACCORDANCE WITH THE EXPORT ADMINISTRATION REGULATIONS. DIVERSION CONTRARY TO U.S. LAW PROHIBITED.

UNLESS OTHERWISE SPECIFIED LEADING DIMENSIONS ARE INCHES DIMENSIONS IN [ ] ARE MILLIMETERS	
TOLERANCES:	FRACTIONS
.X = ±.2 [ .51 ]	±.1/32
.XX = ±.02 [ .51 ]	±.1/32
.XXX = ±.005 [ .13 ]	ANGLES ± 1°
CABLE LENGTH (L), TOLERANCES:	
L ≤ 12 [305]	±.1 [25] / -0
12 [305] < L ≤ 60 [1524]	±.2 [51] / -0
60 [1524] < L ≤ 120 [3048]	±.4 [102] / -0
120 [3048] < L ≤ 300 [7620]	±.6 [152] / -0
300 [7620] < L	±.5% [ / -0
ALL DIMENSIONS SHOWN ARE FOR REFERENCE ONLY.	

<p>Pasternack Enterprises, Inc. P. O. Box 16759, Irvine, CA 92623. Phone: 1.949.261.1920   1.866.727.8376 Fax: 1.949.261.7451 Website: www.pasternack.com E-mail: sales@pasternack.com</p>		<p>THIRD-ANGLE PROJECTION</p> <p>THE INFORMATION AND DESIGN IN THIS DOCUMENT IS THE PROPERTY OF PASTERNAK CORPORATION ALL RIGHTS RESERVED.</p> <p>SHEET 1 OF 1</p> <p>SCALE N/A</p>
<p>SIZE A</p> <p>CAGE CODE 53919</p> <p>DRAWN BY K.DANG</p> <p>ITEM NO. PE3C8513</p>	<p>REV A</p>	