

Outdoor Rated 4.3-10 Male to NEX10 Male
Low PIM Cable 24 Inch Length Using SPO-250 Coax
with Times Microwave Components



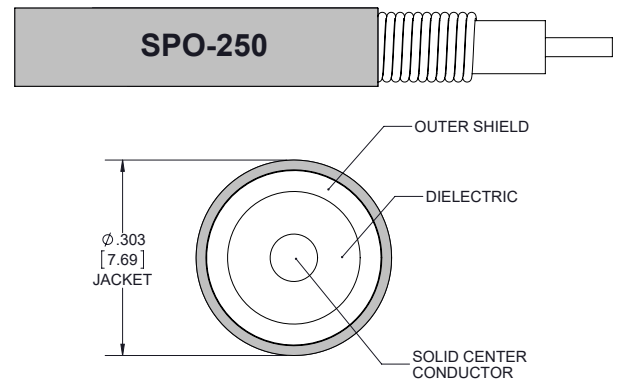
PE3C9378-24

Configuration

- Connector 1: 4.3-10 Male
- Connector 2: NEX10 Male
- Cable Type: SPO-250
- Coax Flex Type: Corrugated

Features

- Max Frequency 6 GHz
- Low PIM: -160 dBc Max
- 83% Phase Velocity
- PE Jacket



Applications

- General Purpose
- Laboratory Use
- Low PIM Applications

Description

Pasternack's PE3C9378-24 4.3-10 male to NEX10 male 24 inch cable using SPO-250 coax is part of our full line of RF components available for same-day shipping. Pasternack's corrugated RF cable assemblies are ideal for applications where durability and high power are needed. This Pasternack 4.3-10 to NEX10 cable assembly has a male to male gender configuration with 50 ohm corrugated SPO-250 coax. The PE3C9378-24 4.3-10 male to NEX10 male cable assembly operates to 6 GHz. Our low PIM design also offers excellent passive intermodulation performance with PIM levels better than -160 dBc.

Custom versions of most RF cable assemblies can be built and shipped same day. Custom cable assembly lengths can be obtained by specifying the desired length on the web site at time of order or by contacting a sales representative. Other available RF cable assembly value added services include connector orientation or clocking, heat shrink booting and custom labeling. RF testing can also be performed to document the electrical performance of your cable assembly.

Electrical Specifications

Description	Minimum	Typical	Maximum	Units
Frequency Range	DC		6	GHz
VSWR			1.4:1	
Velocity of Propagation		83		%
Passive Intermodulation IM3 (2x43dBm Tones) at 850 MHz or 1900 MHz			-160	dBc
Capacitance		24 [78.74]		pF/ft [pF/m]
Inductance		0.054 [0.18]		uH/ft [uH/m]

Specifications by Frequency

Outdoor Rated 4.3-10 Male to NEX10 Male
Low PIM Cable 24 Inch Length Using SPO-250 Coax
with Times Microwave Components



PE3C9378-24

Part Number	Length	Description	F1	F2	F3	F4	Units	Weight (lbs)
			Frequency	500	1000	2500	6000	
PE3C9378	Custom Lengths Available	Insertion Loss (Typ.)	0.042	0.06	0.103	0.166	dB/ft	
			0.14	0.2	0.34	0.55	dB/m	
PE3C9378-12	12 In	Insertion Loss (Typ.)	0.4	0.41	0.46	0.52	dB	0.155
PE3C9378-24	24 In	Insertion Loss (Typ.)	0.44	0.47	0.56	0.69	dB	0.203
PE3C9378-36	36 In	Insertion Loss (Typ.)	0.48	0.53	0.66	0.85	dB	0.25
PE3C9378-60	60 In	Insertion Loss (Typ.)	0.52	0.59	0.77	1.02	dB	0.344
PE3C9378-50CM	50 CM	Insertion Loss (Typ.)	0.42	0.45	0.52	0.63	dB	0.186

The insertion loss data for the base model does not include loss due to the connectors. Each length includes insertion loss due to the connectors.

Loss due to Connector 1: 0.25 dB
 Loss due to Connector 2: 0.1 dB
 Base Weight: 0.155 pounds
 Additional Weight per Inch: 0.00392 pounds

Mechanical Specifications

Cable Assembly

Length 24 in [609.6 mm]
 Width/Diameter .5 in [12.7 mm]
 Weight 0.203 lbs [92.08 g]

Cable

Cable Type SPO-250
 Impedance 50 Ohms
 Inner Conductor Type Solid
 Inner Conductor Material and Plating Copper Clad Aluminum
 Dielectric Type Foam PE
 Number of Shields 1
 Outer Conductor 1 Material and Plating Copper
 Jacket Material PE, Black
 Jacket Diameter 0.303 in [7.7 mm]
 One Time Minimum Bend Radius 1.25 in [31.75 mm]
 Bending Moment 0.5 lbs-ft [0.68 N-m]

Outdoor Rated 4.3-10 Male to NEX10 Male
Low PIM Cable 24 Inch Length Using SPO-250 Coax
with Times Microwave Components



PE3C9378-24

Connectors

Description	Connector 1	Connector 2
Type	4.3-10 Male	NEX10 Male
Impedance	50 Ohms	50 Ohms
Configuration	Straight	Straight
Mating Cycles		500
Contact Material and Plating	Brass, Silver	Brass, Silver
Contact Plating Specification	200 μ m	100 μ m
Dielectric Type	PTFE	PTFE
Body Material and Plating	Brass, Tri-Metal	Brass, Tri-Metal
Body Plating Specification	100 μ m	100 μ m
Coupling Nut Material and Plating	Brass, Tri-Metal	Brass, Tri-Metal
Coupling Nut Plating Specification	100 μ m	100 μ m

Environmental Specifications

Operating Range Temperature -40 to +85 deg C

Compliance Certifications (see [product page](#) for current document)

Plotted and Other Data

Notes:

Outdoor Rated 4.3-10 Male to NEX10 Male
Low PIM Cable 24 Inch Length Using SPO-250 Coax
with Times Microwave Components



PE3C9378-24

Typical Performance Data

How to Order

Part Number Configuration:

PE3C9378

- xx

uu

Unit of Measure:
cm = Centimeters
<blank> = Inches
Length
Base Number

Example: PE3C9378-12 = 12 inches long cable
PE3C9378-100cm = 100 cm long cable

Outdoor Rated 4.3-10 Male to NEX10 Male Low PIM Cable 24 Inch Length Using SPO-250 Coax with Times Microwave Components from Pasternack Enterprises has same day shipment for domestic and International orders. Our RF, microwave and millimeter wave products maintain a 99.4% availability and are part of the broadest selection in the industry.

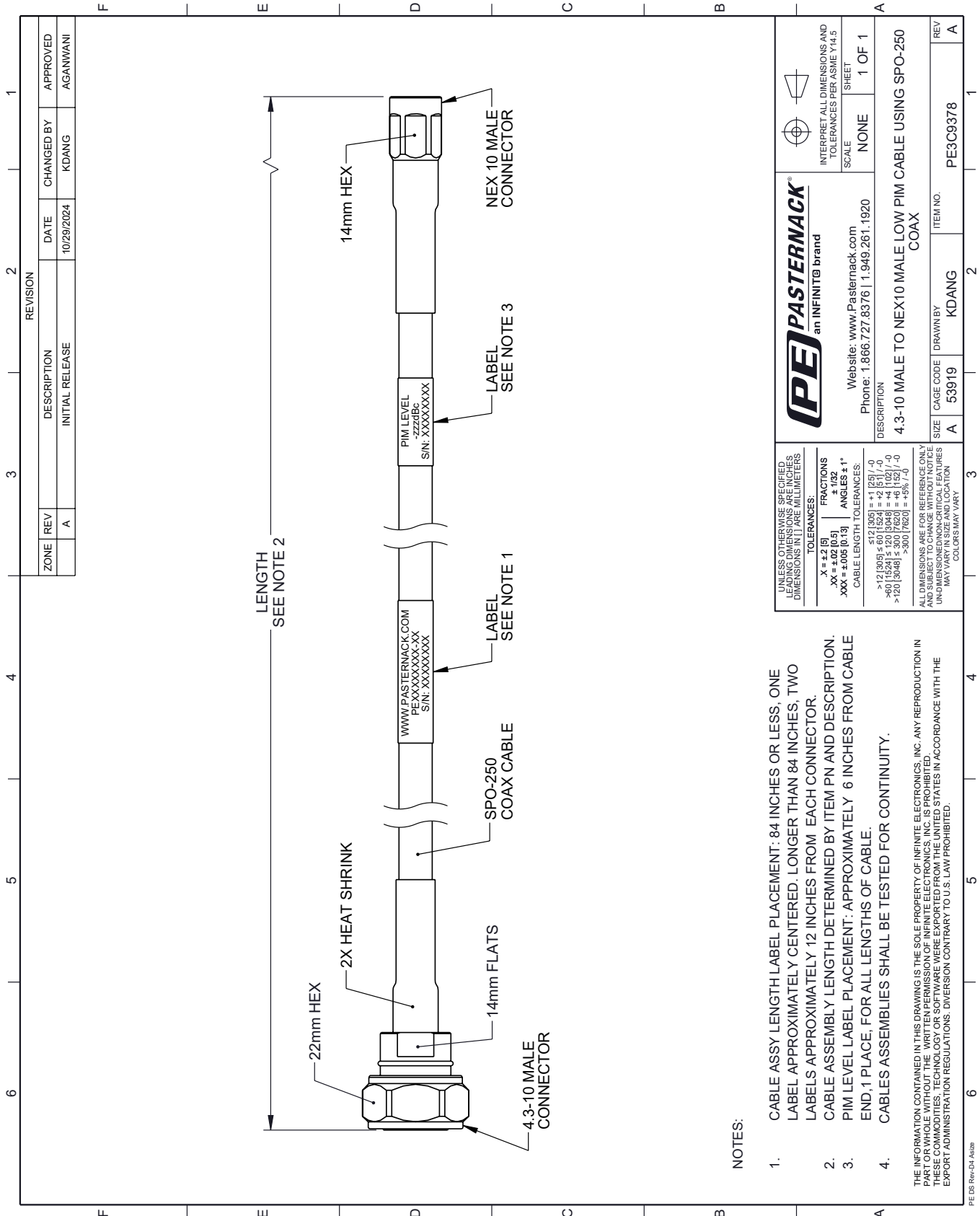
Click the following link (or enter part number in "SEARCH" on website) to obtain additional part information including price, inventory and certifications: [Outdoor Rated 4.3-10 Male to NEX10 Male Low PIM Cable 24 Inch Length Using SPO-250 Coax with Times Microwave Components PE3C9378-24](#)

URL: <https://www.pasternack.com/outdoor-rated-4.3-10-male-to-nex10-male-low-pim-cable-24-inch-length-using-spo-250-pe3c9378-24-p.aspx>

The information contained within this document is accurate to the best of our knowledge and representative of the part described herein. It may be necessary to make modifications to the part and/or the documentation of the part in order to impliment improvements. Pasternack Enterprises reserves the right to make such changes as required. Unless otherwise stated, all specifications are nominal. Pasternack Enterprises does not make any representation or warranty regarding the suitability of the part described herein for any particular purpose, and Pasternack Enterprises does not assume liability arising out of the use of any part or document.

PE3C9378-24 CAD Drawing

Outdoor Rated 4.3-10 Male to NEX10 Male Low PIM Cable 24 Inch Length
Using SPO-250 Coax with Times Microwave Components



REVISION		DATE	CHANGED BY	APPROVED
ZONE	REV			
	A	10/29/2024	KDANG	AGANWANI

Website: www.Pasternack.com Phone: 1.866.727.8376 1.949.261.1920		INTERPRET ALL DIMENSIONS AND TOLERANCES PER ASME Y14.5 SCALE NONE SHEET 1 OF 1
DESCRIPTION: 4.3-10 MALE TO NEX10 MALE LOW PIM CABLE USING SPO-250 COAX		
SIZE	CAGE CODE	ITEM NO.
A	53919	PE3C9378
DRAWN BY: KDANG		

- NOTES:**
- CABLE ASSY LENGTH LABEL PLACEMENT: 84 INCHES OR LESS, ONE LABEL APPROXIMATELY CENTERED. LONGER THAN 84 INCHES, TWO LABELS APPROXIMATELY 12 INCHES FROM EACH CONNECTOR.
 - CABLE ASSEMBLY LENGTH DETERMINED BY ITEM PN AND DESCRIPTION.
 - PIM LEVEL LABEL PLACEMENT: APPROXIMATELY 6 INCHES FROM CABLE END, 1 PLACE, FOR ALL LENGTHS OF CABLE.
 - CABLES ASSEMBLIES SHALL BE TESTED FOR CONTINUITY.
- ALL DIMENSIONS ARE FOR REFERENCE ONLY
 UNLESS OTHERWISE SPECIFIED
 LEADING DIMENSIONS ARE IN INCHES
 DIMENSIONS IN [] ARE MILLIMETERS
- TOLERANCES:**
 .X = ±.2 [5]
 .XX = ±.02 [0.5]
 .XXX = ±.005 [0.13]
- FRACTIONS**
 ± 1/32
- ANGLES ± 1°**
- CABLE LENGTH TOLERANCES:**
 <12 [305] ±.60 [1524] = +1 [25] / -0
 >12 [305] ±.60 [1524] = +2 [51] / -0
 >40 [1024] ±.120 [3048] = +4 [102] / -0
 >120 [3048] ±.300 [7620] = +5% / -0
- ALL DIMENSIONS ARE FOR REFERENCE ONLY
 UNLESS OTHERWISE SPECIFIED
 UNDIMENSIONED NON-CRITICAL FEATURES
 MAY VARY IN SIZE AND LOCATION
 COLORS MAY VARY