

Outdoor Rated 4.3-10 Male to NEX10 Male  
Low PIM Cable 36 Inch Length Using SPO-250 Coax  
with Times Microwave Components



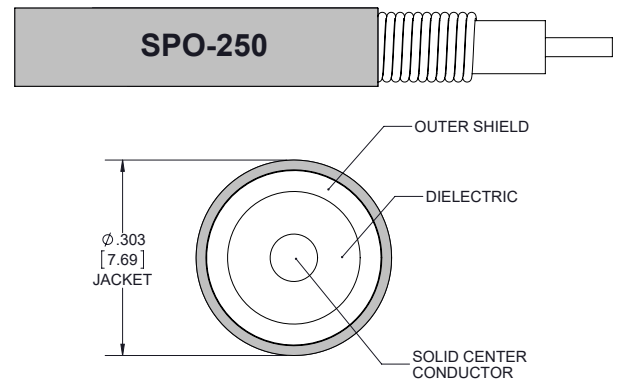
**PE3C9378-36**

**Configuration**

- Connector 1: 4.3-10 Male
- Connector 2: NEX10 Male
- Cable Type: SPO-250
- Coax Flex Type: Corrugated

**Features**

- Max Frequency 6 GHz
- Low PIM: -160 dBc Max
- 83% Phase Velocity
- PE Jacket



**Applications**

- General Purpose
- Laboratory Use
- Low PIM Applications

**Description**

Pasternack's PE3C9378-36 4.3-10 male to NEX10 male 36 inch cable using SPO-250 coax is part of our full line of RF components available for same-day shipping. Pasternack's corrugated RF cable assemblies are ideal for applications where durability and high power are needed. This Pasternack 4.3-10 to NEX10 cable assembly has a male to male gender configuration with 50 ohm corrugated SPO-250 coax. The PE3C9378-36 4.3-10 male to NEX10 male cable assembly operates to 6 GHz. Our low PIM design also offers excellent passive intermodulation performance with PIM levels better than -160 dBc.

Custom versions of most RF cable assemblies can be built and shipped same day. Custom cable assembly lengths can be obtained by specifying the desired length on the web site at time of order or by contacting a sales representative. Other available RF cable assembly value added services include connector orientation or clocking, heat shrink booting and custom labeling. RF testing can also be performed to document the electrical performance of your cable assembly.

**Electrical Specifications**

Description	Minimum	Typical	Maximum	Units
Frequency Range	DC		6	GHz
VSWR			1.4:1	
Velocity of Propagation		83		%
Passive Intermodulation IM3 (2x43dBm Tones) at 850 MHz or 1900 MHz			-160	dBc
Capacitance		24 [78.74]		pF/ft [pF/m]
Inductance		0.054 [0.18]		uH/ft [uH/m]

**Specifications by Frequency**

Outdoor Rated 4.3-10 Male to NEX10 Male  
Low PIM Cable 36 Inch Length Using SPO-250 Coax  
with Times Microwave Components



**PE3C9378-36**

Part Number	Length	Description	F1	F2	F3	F4	Units	Weight (lbs)
			Frequency	500	1000	2500	6000	
PE3C9378	Custom Lengths Available	Insertion Loss (Typ.)	0.042	0.06	0.103	0.166	dB/ft	
			0.14	0.2	0.34	0.55	dB/m	
PE3C9378-12	12 In	Insertion Loss (Typ.)	0.4	0.41	0.46	0.52	dB	0.155
PE3C9378-24	24 In	Insertion Loss (Typ.)	0.44	0.47	0.56	0.69	dB	0.203
PE3C9378-36	36 In	Insertion Loss (Typ.)	0.48	0.53	0.66	0.85	dB	0.25
PE3C9378-60	60 In	Insertion Loss (Typ.)	0.52	0.59	0.77	1.02	dB	0.344
PE3C9378-50CM	50 CM	Insertion Loss (Typ.)	0.42	0.45	0.52	0.63	dB	0.186

The insertion loss data for the base model does not include loss due to the connectors. Each length includes insertion loss due to the connectors.

Loss due to Connector 1:	0.25 dB
Loss due to Connector 2:	0.1 dB
Base Weight:	0.155 pounds
Additional Weight per Inch:	0.00392 pounds

**Mechanical Specifications**

**Cable Assembly**

Length	36 in [914.4 mm]
Width/Diameter	.5 in [12.7 mm]
Weight	0.25 lbs [113.4 g]

**Cable**

Cable Type	SPO-250
Impedance	50 Ohms
Inner Conductor Type	Solid
Inner Conductor Material and Plating	Copper Clad Aluminum
Dielectric Type	Foam PE
Number of Shields	1
Outer Conductor 1 Material and Plating	Copper
Jacket Material	PE, Black
Jacket Diameter	0.303 in [7.7 mm]
One Time Minimum Bend Radius	1.25 in [31.75 mm]
Bending Moment	0.5 lbs-ft [0.68 N-m]

Outdoor Rated 4.3-10 Male to NEX10 Male  
Low PIM Cable 36 Inch Length Using SPO-250 Coax  
with Times Microwave Components



## PE3C9378-36

### Connectors

Description	Connector 1	Connector 2
Type	4.3-10 Male	NEX10 Male
Impedance	50 Ohms	50 Ohms
Configuration	Straight	Straight
Mating Cycles		500
Contact Material and Plating	Brass, Silver	Brass, Silver
Contact Plating Specification	200 µin	100 µin
Dielectric Type	PTFE	PTFE
Body Material and Plating	Brass, Tri-Metal	Brass, Tri-Metal
Body Plating Specification	100 µin	100 µin
Coupling Nut Material and Plating	Brass, Tri-Metal	Brass, Tri-Metal
Coupling Nut Plating Specification	100 µin	100 µin

### Environmental Specifications

Operating Range Temperature -40 to +85 deg C

**Compliance Certifications** (see [product page](#) for current document)

### Plotted and Other Data

Notes:

Outdoor Rated 4.3-10 Male to NEX10 Male  
Low PIM Cable 36 Inch Length Using SPO-250 Coax  
with Times Microwave Components



## PE3C9378-36

### Typical Performance Data

### How to Order

Part Number Configuration:

**PE3C9378**

- **xx**

**uu**

Unit of Measure:  
cm = Centimeters  
<blank> = Inches  
Length  
Base Number

Example: PE3C9378-12 = 12 inches long cable  
PE3C9378-100cm = 100 cm long cable

Outdoor Rated 4.3-10 Male to NEX10 Male Low PIM Cable 36 Inch Length Using SPO-250 Coax with Times Microwave Components from Pasternack Enterprises has same day shipment for domestic and International orders. Our RF, microwave and millimeter wave products maintain a 99.4% availability and are part of the broadest selection in the industry.

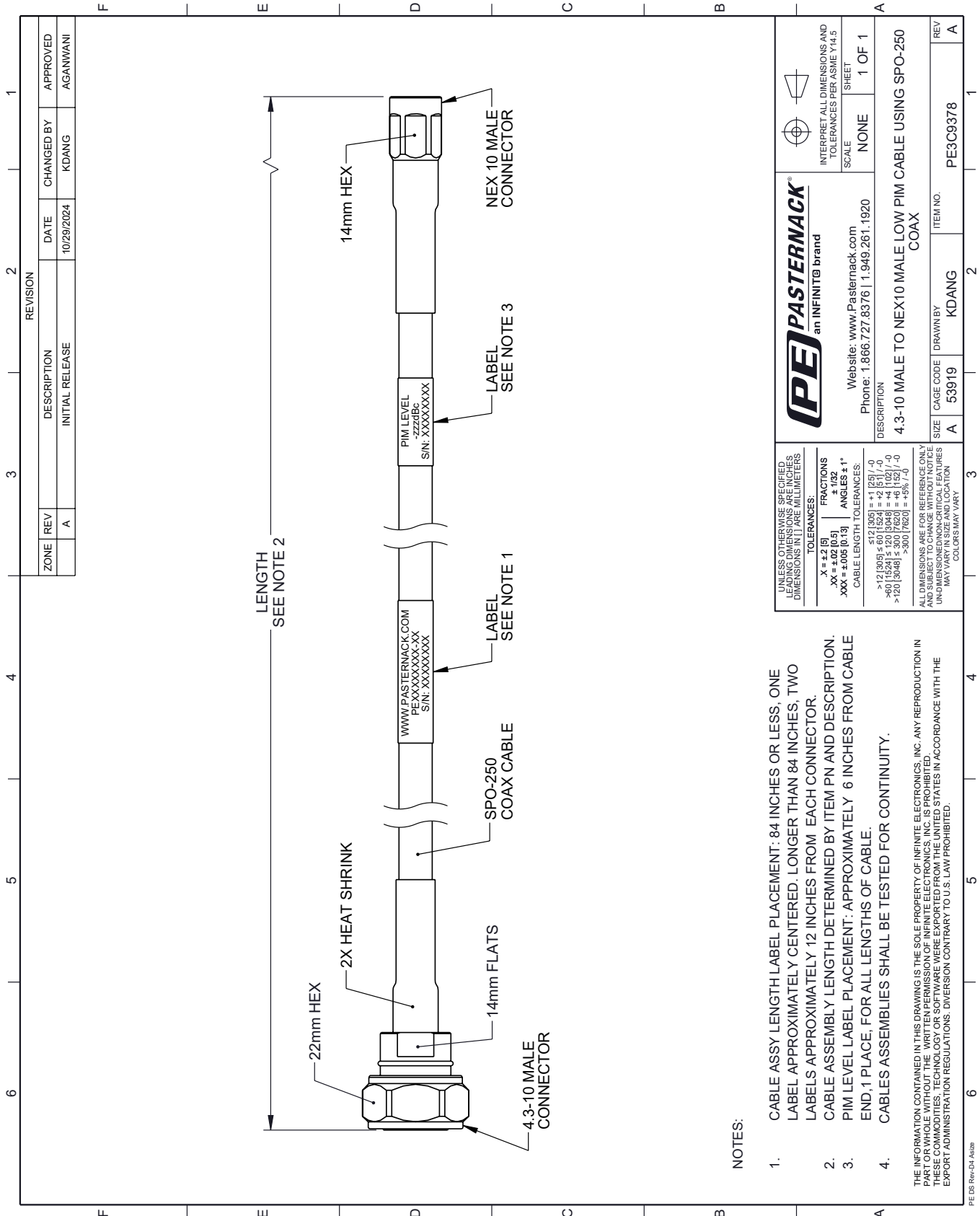
Click the following link (or enter part number in "SEARCH" on website) to obtain additional part information including price, inventory and certifications: [Outdoor Rated 4.3-10 Male to NEX10 Male Low PIM Cable 36 Inch Length Using SPO-250 Coax with Times Microwave Components PE3C9378-36](#)

URL: <https://www.pasternack.com/outdoor-rated-4.3-10-male-to-nex10-male-low-pim-cable-36-inch-length-using-spo-250-pe3c9378-36-p.aspx>

The information contained within this document is accurate to the best of our knowledge and representative of the part described herein. It may be necessary to make modifications to the part and/or the documentation of the part in order to impliment improvements. Pasternack Enterprises reserves the right to make such changes as required. Unless otherwise stated, all specifications are nominal. Pasternack Enterprises does not make any representation or warranty regarding the suitability of the part described herein for any particular purpose, and Pasternack Enterprises does not assume liability arising out of the use of any part or document.

# PE3C9378-36 CAD Drawing

Outdoor Rated 4.3-10 Male to NEX10 Male Low PIM Cable 36 Inch Length  
Using SPO-250 Coax with Times Microwave Components



REVISION		DATE	CHANGED BY	APPROVED
ZONE	REV	DESCRIPTION		
	A	INITIAL RELEASE	KDANG	AGANWANI

<b>PASTERNAK</b> an INFINITB brand		INTERPRET ALL DIMENSIONS AND TOLERANCES PER ASME Y14.5 SCALE: NONE SHEET: 1 OF 1
Website: <a href="http://www.Pasterneck.com">www.Pasterneck.com</a> Phone: 1.866.727.8376   1.949.261.1920		
DESCRIPTION: 4.3-10 MALE TO NEX10 MALE LOW PIM CABLE USING SPO-250 COAX		
SIZE: A	CAGE CODE: 53919	ITEM NO.: PE3C9378
ALL DIMENSIONS ARE FOR REFERENCE ONLY. UNLESS OTHERWISE SPECIFIED, LEADING DIMENSIONS ARE IN INCHES AND TRAILING DIMENSIONS ARE IN MILLIMETERS.		
TOLERANCES: .X = ±.2 [5] .XX = ±.02 [0.5] .XXX = ±.005 [0.13]		
FRACTIONS: ± 1/32 ANGLES: ± 1° CABLE LENGTH TOLERANCES: <12 [305] ± .60 [1524] = ±.2 [5] / -0 >12 [305] ± .60 [1524] = ±.2 [5] / -0 >40 [1024] ± .120 [3048] = ±.4 [1027] / -0 >120 [3048] ± .300 [7620] = ±.93 [23] / -0		
ALL DIMENSIONS ARE FOR REFERENCE ONLY. UNLESS OTHERWISE SPECIFIED, LEADING DIMENSIONS ARE IN INCHES AND TRAILING DIMENSIONS ARE IN MILLIMETERS. UNDIMENSIONED NON-CRITICAL FEATURES MAY VARY IN SIZE AND LOCATION. COLORS MAY VARY.		

**NOTES:**

- CABLE ASSY LENGTH LABEL PLACEMENT: 84 INCHES OR LESS, ONE LABEL APPROXIMATELY CENTERED. LONGER THAN 84 INCHES, TWO LABELS APPROXIMATELY 12 INCHES FROM EACH CONNECTOR.
- CABLE ASSEMBLY LENGTH DETERMINED BY ITEM PN AND DESCRIPTION.
- PIM LEVEL LABEL PLACEMENT: APPROXIMATELY 6 INCHES FROM CABLE END, 1 PLACE, FOR ALL LENGTHS OF CABLE.
- CABLES ASSEMBLIES SHALL BE TESTED FOR CONTINUITY.

THE INFORMATION CONTAINED IN THIS DRAWING IS THE SOLE PROPERTY OF INFINITE ELECTRONICS, INC. ANY REPRODUCTION IN PART OR WHOLE WITHOUT THE WRITTEN PERMISSION OF INFINITE ELECTRONICS, INC. IS PROHIBITED. THESE COMMODITIES, TECHNOLOGY OR SOFTWARE WERE EXPORTED FROM THE UNITED STATES IN ACCORDANCE WITH THE EXPORT ADMINISTRATION REGULATIONS. DIVERSION CONTRARY TO U.S. LAW PROHIBITED.