

## UHF Male to UHF Male Low Loss Cable Using LMR-600 Coax with Times Microwave Components



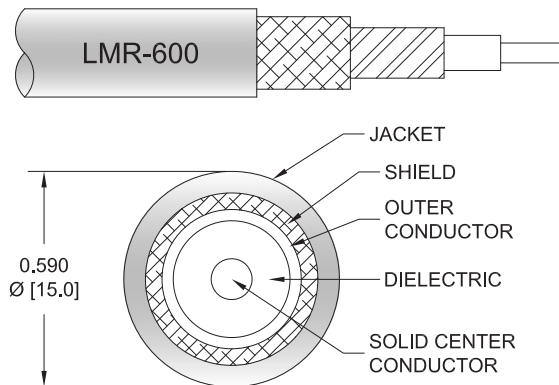
### PE3C9398

#### Configuration

- Connector 1: UHF Male
- Connector 2: UHF Male
- Cable Type: LMR-600
- Coax Flex Type: Flexible

#### Features

- Max Frequency 3 GHz
- Shielding Effectivity > 90 dB
- 87% Phase Velocity
- Double Shielded
- PE Jacket



#### Applications

- General Purpose
- Laboratory Use

#### Description

Pasternack's PE3C9398 UHF male to UHF male cable using LMR-600 coax is part of our full line of RF components available for same-day shipping. Pasternack's flexible RF cable assemblies are ideal for applications where tight bends and flexure are required. This Pasternack UHF to UHF cable assembly has a male to male gender configuration with 50 ohm flexible LMR-600 coax. The PE3C9398 UHF male to UHF male cable assembly operates to 3 GHz. The double shielding of this Pasternack cable assembly provides excellent shielding effectiveness of better than 90 dB.

Custom versions of most RF cable assemblies can be built and shipped same day. Custom cable assembly lengths can be obtained by specifying the desired length on the web site at time of order or by contacting a sales representative. Other available RF cable assembly value added services include connector orientation or clocking, heat shrink booting and custom labeling. RF testing can also be performed to document the electrical performance of your cable assembly.

#### Electrical Specifications

Description	Minimum	Typical	Maximum	Units
Frequency Range	DC		3	GHz
VSWR			1.4:1	
Velocity of Propagation		87		%
RF Shielding	90			dB
Group Delay		1.17 [3.84]		ns/ft [ns/m]
Capacitance		23.4 [76.77]		pF/ft [pF/m]
Inductance		0.058 [0.19]		uH/ft [uH/m]
DC Resistance Inner Conductor		0.53 [1.74]		Ohms/1000ft [Ohms/Km]
DC Resistance Outer Conductor		1.2 [3.94]		Ohms/1000ft [Ohms/Km]

## UHF Male to UHF Male Low Loss Cable Using LMR-600 Coax with Times Microwave Components



### PE3C9398

#### Electrical Specifications

Description	Minimum	Typical	Maximum	Units
Jacket Spark			8,000	Vrms

#### Specifications by Frequency

Part Number	Length	Description	F1	F2	F3	F4	F5	Units	Weight (lbs)
			Frequency					MHz	
PE3C9398	Custom Lengths Available	Insertion Loss (Typ.)	0.007	0.012	0.017	0.026	0.048	dB/ft	
			0.03	0.04	0.06	0.09	0.16	dB/m	
PE3C9398-24	24 Inch	Insertion Loss (Typ.)	0.36	0.37	0.38	0.4	0.44	dB	0.298
PE3C9398-36	36 Inch	Insertion Loss (Typ.)	0.37	0.38	0.4	0.42	0.49	dB	0.435
PE3C9398-48	48 Inch	Insertion Loss (Typ.)	0.37	0.39	0.41	0.45	0.54	dB	0.572
PE3C9398-120	120 Inch	Insertion Loss (Typ.)	0.41	0.46	0.51	0.6	0.82	dB	1.395
PE3C9398-180	180 Inch	Insertion Loss (Typ.)	0.45	0.52	0.6	0.73	1.06	dB	2.08

The insertion loss data for the base model does not include loss due to the connectors. Each length includes insertion loss due to the connectors.

Loss due to Connector 1:	0.17 dB
Loss due to Connector 2:	0.17 dB
Base Weight:	0.161 pounds
Additional Weight per Inch:	0.24083 pounds

#### Mechanical Specifications

##### Cable Assembly

Width/Diameter	0.5 in [12.7 mm]
Weight	0.161 lbs [73.03 g]

##### Cable

Cable Type	LMR-600
Impedance	50 Ohms
Inner Conductor Type	Solid
Inner Conductor Material and Plating	Copper Clad Aluminum
Dielectric Type	PE (F)
Number of Shields	2
Shield Layer 1	Aluminum Tape
Shield Layer 2	Tinned Copper Braid
Jacket Material	PE, Black
Jacket Diameter	0.59 in [14.99 mm]
One Time Minimum Bend Radius	1.5 in [38.1 mm]
Repeated Minimum Bend Radius	6 in [152.4 mm]
Bending Moment	2.75 lbs-ft [3.73 N-m]
Flat Plate Crush	60 lbs/in [1.07 Kg/mm]
Tensile Strength	350 lbs [158.76 Kg]

UHF Male to UHF Male Low Loss Cable Using LMR-600 Coax with Times Microwave Components



**PE3C9398**

**Connectors**

Description	Connector 1	Connector 2
Type	UHF Male	UHF Male
Impedance	50 Ohms	50 Ohms
Configuration	Straight	Straight
Contact Material and Plating	Phosphor Bronze, Silver	Phosphor Bronze, Silver
Contact Plating Specification	200 µin minimum	200 µin minimum
Dielectric Type	PTFE	PTFE
Body Material and Plating	Brass, Tri-Metal	Brass, Tri-Metal
Body Plating Specification	100 µin minimum	100 µin minimum
Coupling Nut Material and Plating	Brass, Tri-Metal	Brass, Tri-Metal
Coupling Nut Plating Specification	100 µin minimum	100 µin minimum

**Environmental Specifications**

Operating Range Temperature -40 to +85 deg C

**Compliance Certifications** (see [product page](#) for current document)

**Plotted and Other Data**

Notes:

## UHF Male to UHF Male Low Loss Cable Using LMR-600 Coax with Times Microwave Components



### PE3C9398

#### Typical Performance Data

#### How to Order

Part Number Configuration:

**PE3C9398**

**- xx**

**uu**

Unit of Measure:

cm = Centimeters

<blank> = Inches

Length

Base Number

Example: PE3C9398-12 = 12 inches long cable  
PE3C9398-100cm = 100 cm long cable

UHF Male to UHF Male Low Loss Cable Using LMR-600 Coax with Times Microwave Components from Pasternack Enterprises has same day shipment for domestic and International orders. Our RF, microwave and millimeter wave products maintain a 99.4% availability and are part of the broadest selection in the industry.

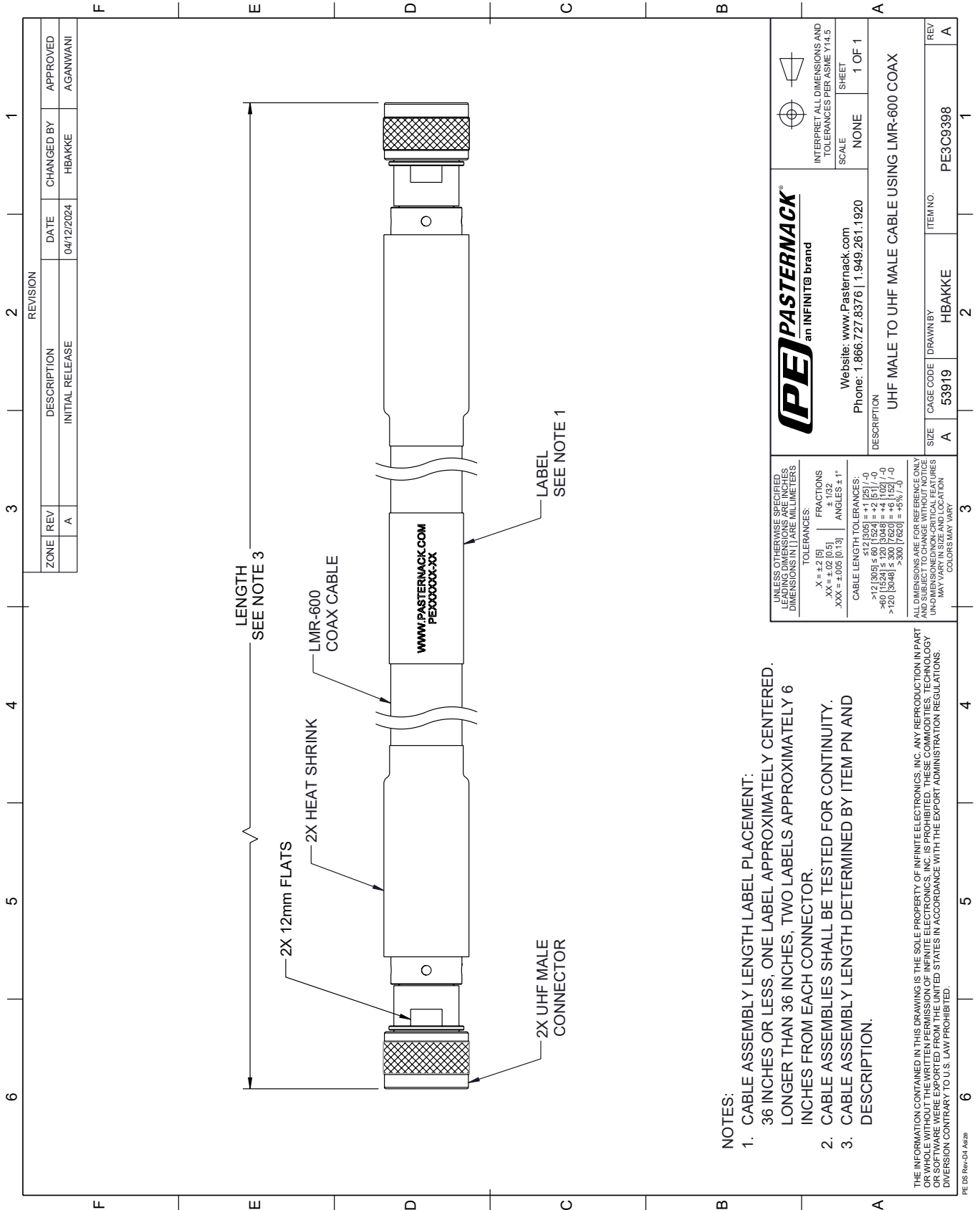
Click the following link (or enter part number in "SEARCH" on website) to obtain additional part information including price, inventory and certifications: [UHF Male to UHF Male Low Loss Cable Using LMR-600 Coax with Times Microwave Components PE3C9398](#)

URL: <https://www.pasternack.com/uhf-male-to-uhf-male-low-loss-cable-using-lmr-600-pe3c9398-p.aspx>

The information contained within this document is accurate to the best of our knowledge and representative of the part described herein. It may be necessary to make modifications to the part and/or the documentation of the part in order to implement improvements. Pasternack Enterprises reserves the right to make such changes as required. Unless otherwise stated, all specifications are nominal. Pasternack Enterprises does not make any representation or warranty regarding the suitability of the part described herein for any particular purpose, and Pasternack Enterprises does not assume liability arising out of the use of any part or document.

# PE3C9398 CAD Drawing

UHF Male to UHF Male Low Loss Cable Using LMR-600 Coax with Times Microwave Components



**NOTES:**

1. CABLE ASSEMBLY LENGTH LABEL PLACEMENT: 36 INCHES OR LESS, ONE LABEL APPROXIMATELY CENTERED, LONGER THAN 36 INCHES, TWO LABELS APPROXIMATELY 6 INCHES FROM EACH CONNECTOR.
2. CABLE ASSEMBLIES SHALL BE TESTED FOR CONTINUITY.
3. CABLE ASSEMBLY LENGTH DETERMINED BY ITEM PN AND DESCRIPTION.