

N Female Bulkhead to SMA Male Right Angle Cable Using PE-SR405FLJ Coax



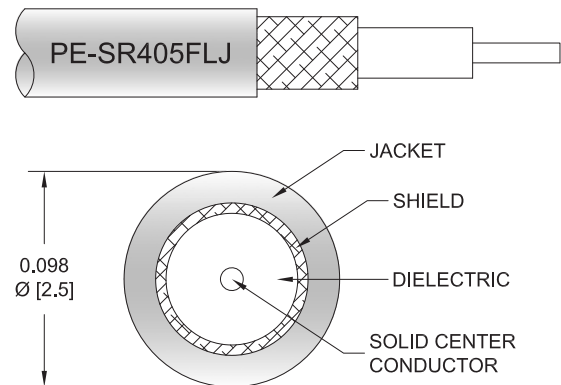
PE3C9934

Configuration

- Connector 1: N Female Bulkhead
- Connector 2: SMA Male Right Angle
- Cable Type: PE-SR405FLJ
- Coax Flex Type: Formable

Features

- Max Frequency 10 GHz
- Shielding Effectivity > 100 dB
- 69.5% Phase Velocity
- FEP Jacket



Applications

- General Purpose
- Laboratory Use

Description

Pasternack's PE3C9934 type N female bulkhead to SMA male right angle cable using PE-SR405FLJ coax is part of our full line of RF components available for same-day shipping. Pasternack's formable RF cable assemblies provide an alternative to costly pre-formed semi-rigid assemblies since they are hand formable. This Pasternack type N to SMA cable assembly has a female to male gender configuration with 50 ohm formable PE-SR405FLJ coax. The PE3C9934 type N female to SMA male cable assembly operates to 10 GHz. The right angle SMA interface on the PE-SR405FLJ cable allows for easier connections in tight spaces. Our RF cable assembly with type N bulkhead interface allows designers to create external connections on their product enclosures, and can be used in a variety of other rack mount and panel mount applications.

Custom versions of most RF cable assemblies can be built and shipped same day. Custom cable assembly lengths can be obtained by specifying the desired length on the web site at time of order or by contacting a sales representative. Other available RF cable assembly value added services include connector orientation or clocking, heat shrink booting and custom labeling. RF testing can also be performed to document the electrical performance of your cable assembly.

Electrical Specifications

Description	Minimum	Typical	Maximum	Units
Frequency Range	DC		10	GHz
VSWR			1.4:1	
Velocity of Propagation		69.5		%
RF Shielding	100			dB
Group Delay		1.43 [4.69]		ns/ft [ns/m]
Capacitance		29 [95.14]		pF/ft [pF/m]
DC Resistance Inner Conductor		65.7 [215.55]		Ohms/1000ft [Ohms/Km]
DC Resistance Outer Conductor		10.2 [33.46]		Ohms/1000ft [Ohms/Km]

Specifications by Frequency

N Female Bulkhead to SMA Male Right Angle Cable Using PE-SR405FLJ Coax



PE3C9934

Part Number	Length	Description	F1	F2	F3	F4	F5	Units	Weight (lbs)
			Frequency		500	1000	2500	5000	
PE3C9934	Custom Lengths Available	Insertion Loss (Typ.)	0.15	0.23	0.346	0.549	0.812	dB/ft	
			0.5	0.74	1.14	1.81	2.67	dB/m	
PE3C9934-6	6 inch	Insertion Loss (Typ.)	0.38	0.42	0.48	0.58	0.71	dB	0.106
PE3C9934-9	9 inch	Insertion Loss (Typ.)	0.42	0.47	0.56	0.72	0.91	dB	0.11
PE3C9934-12	12 inch	Insertion Loss (Typ.)	0.45	0.53	0.65	0.85	1.12	dB	0.113
PE3C9934-18	18 inch	Insertion Loss (Typ.)	0.53	0.64	0.82	1.13	1.52	dB	0.121
PE3C9934-24	24 inch	Insertion Loss (Typ.)	0.6	0.75	1	1.4	1.93	dB	0.128

The insertion loss data for the base model does not include loss due to the connectors. Each length includes insertion loss due to the connectors.

Loss due to Connector 1:	0.1 dB
Loss due to Connector 2:	0.2 dB
Base Weight:	0.113 pounds
Additional Weight per Inch:	0.00117 pounds

Mechanical Specifications

Cable Assembly

Width/Diameter	0.5 in [12.7 mm]
Weight	0.113 lbs [51.26 g]

Cable

Cable Type	PE-SR405FLJ
Impedance	50 Ohms
Inner Conductor Type	Solid
Inner Conductor Material and Plating	Copper Clad Steel, Silver
Dielectric Type	PTFE
Number of Shields	1
Outer Conductor 1 Material and Plating	Tinned Copper Composite Braid
Jacket Material	FEP, Black
Jacket Diameter	0.105 in [2.67 mm]
One Time Minimum Bend Radius	0.5 in [12.7 mm]
Repeated Minimum Bend Radius	0.787 in [19.99 mm]

N Female Bulkhead to SMA Male Right Angle
Cable Using PE-SR405FLJ Coax



PE3C9934

Connectors

Description	Connector 1	Connector 2
Type	N Female Bulkhead	SMA Male Right Angle
Specification		MIL-STD-348A
Impedance	50 Ohms	50 Ohms
Configuration	Straight	Right Angle
Contact Material and Plating	Phosphor Bronze, Gold over Nickel	Brass, Gold
Contact Plating Specification		50 µin minimum
Dielectric Type	PTFE	PTFE
Body Material and Plating	Brass, Nickel	Stainless Steel, Gold
Body Plating Specification		30 µin minimum
Coupling Nut Material and Plating		Brass, Nickel
Coupling Nut Plating Specification		100 µin minimum
Hex Size		5/16 inch
Torque		3 in-lbs 0.34 Nm

Environmental Specifications

Compliance Certifications (see [product page](#) for current document)

Plotted and Other Data

Notes:

N Female Bulkhead to SMA Male Right Angle Cable Using PE-SR405FLJ Coax



PE3C9934

Typical Performance Data

How to Order

Part Number Configuration:

PE3C9934

- **xx**

uu

Unit of Measure:

cm = Centimeters

<blank> = Inches

Length

Base Number

Example: PE3C9934-12 = 12 inches long cable
PE3C9934-100cm = 100 cm long cable

N Female Bulkhead to SMA Male Right Angle Cable Using PE-SR405FLJ Coax from Pasternack Enterprises has same day shipment for domestic and International orders. Our RF, microwave and millimeter wave products maintain a 99.4% availability and are part of the broadest selection in the industry.

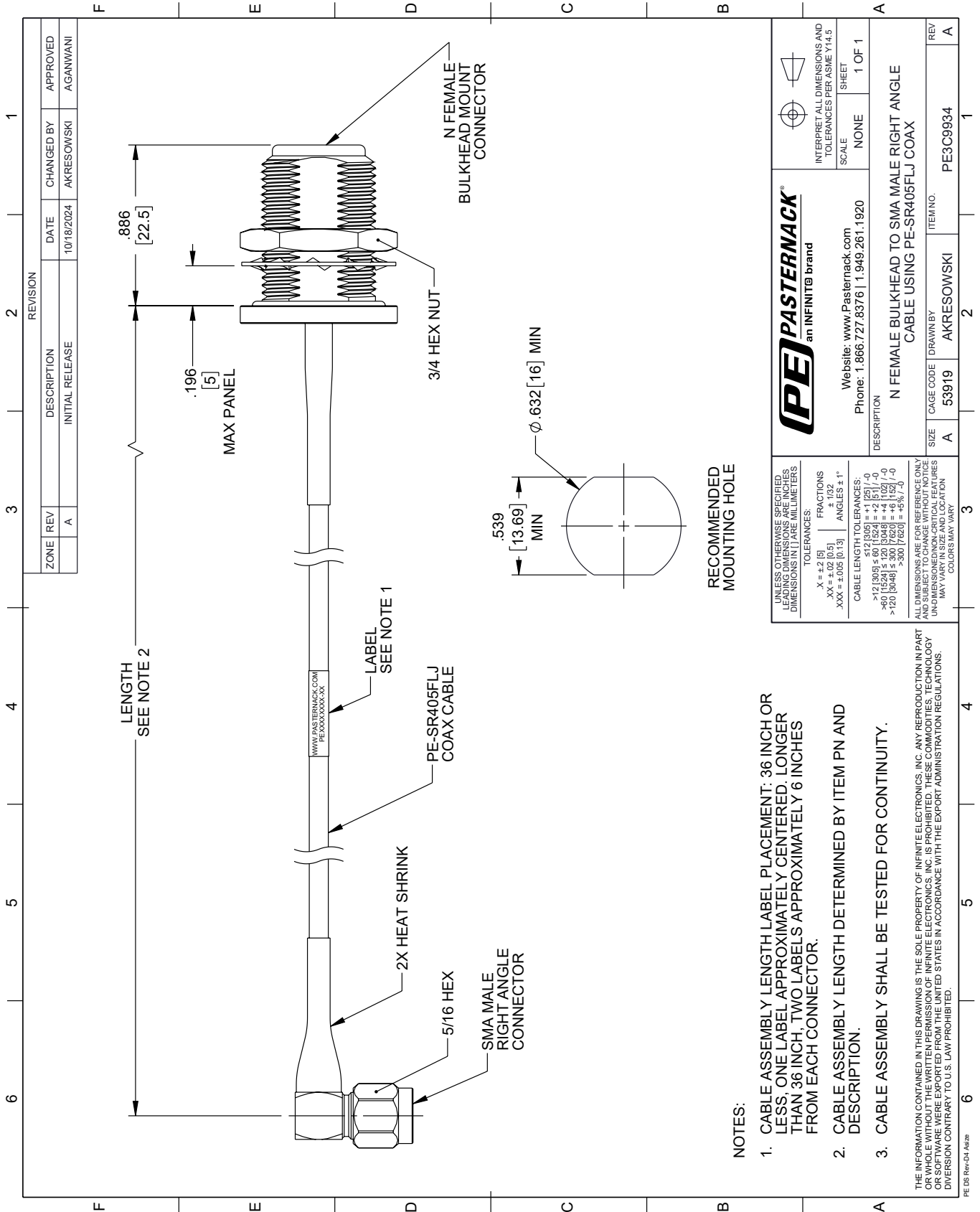
Click the following link (or enter part number in "SEARCH" on website) to obtain additional part information including price, inventory and certifications: [N Female Bulkhead to SMA Male Right Angle Cable Using PE-SR405FLJ Coax PE3C9934](#)

URL: <https://www.pasternack.com/n-female-bulkhead-to-sma-male-cable-using-pe-sr405flj-pe3c9934-p.aspx>

The information contained within this document is accurate to the best of our knowledge and representative of the part described herein. It may be necessary to make modifications to the part and/or the documentation of the part in order to implement improvements. Pasternack Enterprises reserves the right to make such changes as required. Unless otherwise stated, all specifications are nominal. Pasternack Enterprises does not make any representation or warranty regarding the suitability of the part described herein for any particular purpose, and Pasternack Enterprises does not assume liability arising out of the use of any part or document.

PE3C9934 CAD Drawing

N Female Bulkhead to SMA Male Right Angle Cable Using PE-SR405FLJ Coax



NOTES:

1. CABLE ASSEMBLY LENGTH LABEL PLACEMENT: 36 INCH OR LESS, ONE LABEL APPROXIMATELY CENTERED, LONGER THAN 36 INCH, TWO LABELS APPROXIMATELY 6 INCHES FROM EACH CONNECTOR.
2. CABLE ASSEMBLY LENGTH DETERMINED BY ITEM PN AND DESCRIPTION.
3. CABLE ASSEMBLY SHALL BE TESTED FOR CONTINUITY.

THE INFORMATION CONTAINED IN THIS DRAWING IS THE SOLE PROPERTY OF INFINITE ELECTRONICS, INC. ANY REPRODUCTION IN PART OR WHOLE WITHOUT THE WRITTEN PERMISSION OF INFINITE ELECTRONICS, INC. IS PROHIBITED. THESE COMMODITIES, TECHNOLOGY OR SOFTWARE ARE EXPORTED FROM THE UNITED STATES IN ACCORDANCE WITH THE EXPORT ADMINISTRATION REGULATIONS. DIVERSION CONTRARY TO U.S. LAW PROHIBITED.

PE DS Rev-D4 As2z

		Website: www.Pasternack.com Phone: 1.866.727.8376 1.949.261.1920	
INTERPRET ALL DIMENSIONS AND TOLERANCES PER ASME Y14.5		SCALE: NONE SHEET: 1 OF 1	
DESCRIPTION: N FEMALE BULKHEAD TO SMA MALE RIGHT ANGLE CABLE USING PE-SR405FLJ COAX			
SIZE: A	CAGE CODE: 53919	DRAWN BY: AKRESOWSKI	ITEM NO.: PE3C9934
UNLESS OTHERWISE SPECIFIED, LEADING DIMENSIONS ARE IN INCHES, DIMENSIONS IN [] ARE MILLIMETERS.		TOLERANCES:	
.X = ±.2 [5]		FRACTIONS: ± 1/32	
.XX = ±.02 [0.5]		ANGLES ± 1°	
.XXX = ±.005 [0.13]		CABLE LENGTH TOLERANCES:	
>12 [305] ≤ 60 [1524] = ±.1 [25] / -0		>12 [305] ≤ 60 [1524] = ±.2 [5] / -0	
>60 [1524] ≤ 120 [3048] = ±.4 [102] / -0		>60 [1524] ≤ 120 [3048] = ±.4 [102] / -0	
>120 [3048] ≤ 300 [7620] = ±.6 [15] / -0		>120 [3048] ≤ 300 [7620] = ±.6 [15] / -0	
ALL DIMENSIONS ARE FOR REFERENCE ONLY. UNDIMENSIONED/NCRITICAL FEATURES MAY VARY IN SIZE AND LOCATION. COLORS MAY VARY.			