

SMA Male to SMA Male Cable Using RG141 Coax



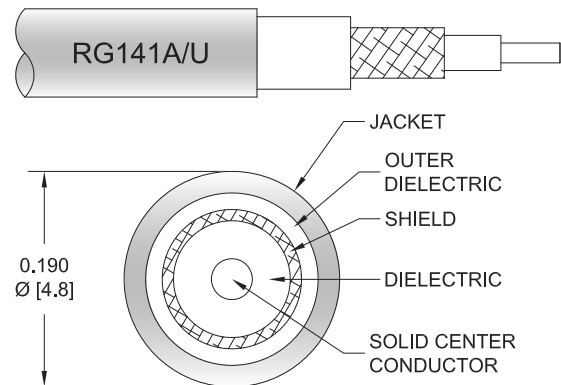
PE3W00722

Configuration

- Connector 1: SMA Male
- Connector 2: SMA Male
- Cable Type: RG141
- Coax Flex Type: Flexible

Features

- Max Frequency 10 GHz
- PTFE (FG) Jacket



Applications

- General Purpose
- Laboratory Use

Description

Pasternack's PE3W00722 SMA male to SMA male cable using RG141 coax is part of our full line of RF components available for same-day shipping. Pasternack's flexible RF cable assemblies are ideal for applications where tight bends and flexure are required. This Pasternack SMA to SMA cable assembly has a male to male gender configuration with 50 ohm flexible RG141 coax. The PE3W00722 SMA male to SMA male cable assembly operates to 10 GHz.

Custom versions of most RF cable assemblies can be built and shipped same day. Custom cable assembly lengths can be obtained by specifying the desired length on the web site at time of order or by contacting a sales representative. Other available RF cable assembly value added services include connector orientation or clocking, heat shrink booting and custom labeling. RF testing can also be performed to document the electrical performance of your cable assembly.

Electrical Specifications

Description	Minimum	Typical	Maximum	Units
Frequency Range	DC		10	GHz
VSWR			1.4:1	
Capacitance		29.4 [96.46]		pF/ft [pF/m]
Jacket Spark			2,000	Vrms

Specifications by Frequency

SMA Male to SMA Male Cable Using RG141 Coax



PE3W00722

Part Number	Length	Description	F1	F2	F3	F4	F5	Units	Weight (lbs)
			Frequency		500	1000	2500	5000	
PE3W00722	Custom Lengths Available	Insertion Loss (Typ.)	0.08	0.13	0.216	0.36	0.62	dB/ft	
			0.26	0.43	0.71	1.19	2.04	dB/m	
PE3W00722-12	12 inch	Insertion Loss (Typ.)	0.28	0.33	0.42	0.56	0.82	dB	0.057
PE3W00722-24	24 inch	Insertion Loss (Typ.)	0.36	0.46	0.64	0.92	1.44	dB	0.09
PE3W00722-36	36 inch	Insertion Loss (Typ.)	0.44	0.59	0.85	1.28	2.06	dB	0.123
PE3W00722-48	48 inch	Insertion Loss (Typ.)	0.52	0.72	1.07	1.64	2.68	dB	0.156
PE3W00722-60	60 inch	Insertion Loss (Typ.)	0.6	0.85	1.28	2	3.3	dB	0.189

The insertion loss data for the base model does not include loss due to the connectors. Each length includes insertion loss due to the connectors.

Loss due to Connector 1:	0.1 dB
Loss due to Connector 2:	0.1 dB
Base Weight:	0.057 pounds
Additional Weight per Inch:	0.00275 pounds

Mechanical Specifications

Cable Assembly

Width/Diameter	0.5 in [12.7 mm]
Weight	0.057 lbs [25.85 g]

Cable

Cable Type	RG141
Impedance	50 Ohms
Inner Conductor Type	Solid
Inner Conductor Material and Plating	Copper Clad Steel, Silver
Dielectric Type	PTFE
Number of Shields	1
Shield Layer 1	Silver Plated Copper
Jacket Material	PTFE (FG), Beige
Jacket Diameter	0.19 in [4.83 mm]

SMA Male to SMA Male Cable Using RG141 Coax



PE3W00722

Connectors

Description	Connector 1	Connector 2
Type	SMA Male	SMA Male
Specification	MIL-STD-348	MIL-STD-348
Impedance	50 Ohms	50 Ohms
Configuration	Straight	Straight
Contact Material and Plating	Brass, Gold	Brass, Gold
Contact Plating Specification	MIL-G-45204	MIL-G-45204
Dielectric Type	PTFE	PTFE
Body Material and Plating	Brass, Nickel	Brass, Nickel
Body Plating Specification	QQ-N-290	QQ-N-290
Coupling Nut Material and Plating	Brass, Nickel	Brass, Nickel
Coupling Nut Plating Specification	QQ-N-290	QQ-N-290
Hex Size	5/16 in.	5/16 in.
Torque	5 in-lbs 0.57 Nm	5 in-lbs 0.57 Nm

Environmental Specifications

Compliance Certifications (see [product page](#) for current document)

Plotted and Other Data

Notes:

SMA Male to SMA Male Cable Using RG141 Coax



PE3W00722

Typical Performance Data

How to Order

Part Number Configuration:

PE3W00722

- **xx**

uu

Unit of Measure:

cm = Centimeters

<blank> = Inches

Length

Base Number

Example: PE3W00722-12 = 12 inches long cable
PE3W00722-100cm = 100 cm long cable

SMA Male to SMA Male Cable Using RG141 Coax from Pasternack Enterprises has same day shipment for domestic and International orders. Our RF, microwave and millimeter wave products maintain a 99.4% availability and are part of the broadest selection in the industry.

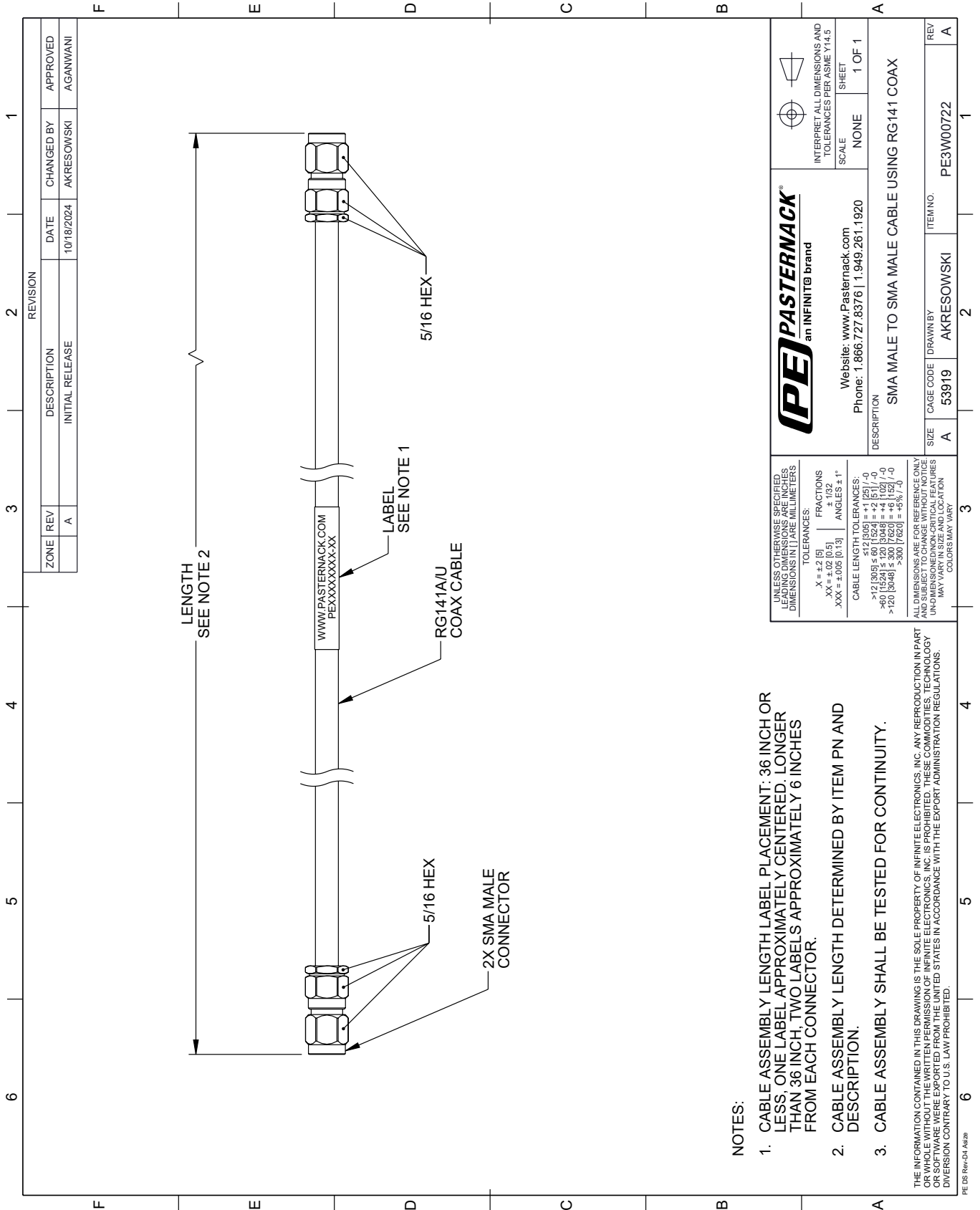
Click the following link (or enter part number in "SEARCH" on website) to obtain additional part information including price, inventory and certifications: [SMA Male to SMA Male Cable Using RG141 Coax PE3W00722](#)

URL: <https://www.pasternack.com/sma-male-to-sma-male-cable-using-rg141-pe3w00722-p.aspx>

The information contained within this document is accurate to the best of our knowledge and representative of the part described herein. It may be necessary to make modifications to the part and/or the documentation of the part in order to implement improvements. Pasternack Enterprises reserves the right to make such changes as required. Unless otherwise stated, all specifications are nominal. Pasternack Enterprises does not make any representation or warranty regarding the suitability of the part described herein for any particular purpose, and Pasternack Enterprises does not assume liability arising out of the use of any part or document.

PE3W00722 CAD Drawing

SMA Male to SMA Male Cable Using RG141 Coax





NOTES:

1. CABLE ASSEMBLY LENGTH LABEL PLACEMENT: 36 INCH OR LESS, ONE LABEL APPROXIMATELY CENTERED, LONGER THAN 36 INCH, TWO LABELS APPROXIMATELY 6 INCHES FROM EACH CONNECTOR.
2. CABLE ASSEMBLY LENGTH DETERMINED BY ITEM PN AND DESCRIPTION.
3. CABLE ASSEMBLY SHALL BE TESTED FOR CONTINUITY.

THE INFORMATION CONTAINED IN THIS DRAWING IS THE SOLE PROPERTY OF INFINITE ELECTRONICS, INC. ANY REPRODUCTION IN PART OR WHOLE WITHOUT THE WRITTEN PERMISSION OF INFINITE ELECTRONICS, INC. IS PROHIBITED. THESE COMMODITIES, TECHNOLOGY OR SOFTWARE WERE EXPORTED FROM THE UNITED STATES IN ACCORDANCE WITH THE EXPORT ADMINISTRATION REGULATIONS. DIVERSION CONTRARY TO U.S. LAW PROHIBITED.

PE DS Rev-D4 Add2

REVISION		DATE	CHANGED BY	APPROVED
ZONE	REV			
	A	10/18/2024	AKRESOWSKI	AGANWANI
DESCRIPTION				
INITIAL RELEASE				

 PASTERNAK an INFINITE brand		 INTERPRET ALL DIMENSIONS AND TOLERANCES PER ASME Y14.5 SCALE NONE SHEET 1 OF 1
Website: www.Pasternack.com Phone: 1.866.727.8376 1.949.261.1920		
DESCRIPTION SMA MALE TO SMA MALE CABLE USING RG141 COAX		
SIZE A	CAGE CODE 53919	ITEM NO. PE3W00722
DRAWN BY AKRESOWSKI		REV A

UNLESS OTHERWISE SPECIFIED, LEADING DIMENSIONS ARE IN INCHES. DIMENSIONS IN [] ARE MILLIMETERS.

TOLERANCES:
 .X = ±.2 [5]
 .XX = ±.02 [0.5]
 .XXX = ±.005 [0.13]

FRACTIONS
 ± 1/32
 ANGLES ± 1°

CABLE LENGTH TOLERANCES:
 <12 [305] ≤ 60 [1524] = ±.125 [3.175]
 >60 [1524] ≤ 120 [3048] = ±.150 [3.81]
 >120 [3048] ≤ 300 [7620] = ±.1875 [4.7625]

ALL DIMENSIONS ARE FOR REFERENCE ONLY. UNLESS OTHERWISE SPECIFIED, DIMENSIONS ARE NON-CRITICAL FEATURES. DIMENSIONS IN SIZE AND LOCATION MAY VARY IN SIZE AND LOCATION. COLORS MAY VARY.