

SMA Male to N Female Bulkhead Cable Using PE-SR405FL Coax



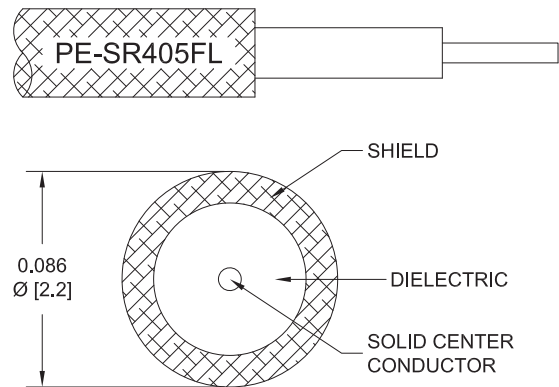
PE3W02364

Configuration

- Connector 1: SMA Male
- Connector 2: N Female Bulkhead
- Cable Type: PE-SR405FL
- Coax Flex Type: Formable

Features

- Max Frequency 11 GHz
- 69.5% Phase Velocity



Applications

- General Purpose
- Laboratory Use

Description

Pasternack's PE3W02364 SMA male to type N female bulkhead cable using PE-SR405FL coax is part of our full line of RF components available for same-day shipping. Pasternack's formable RF cable assemblies provide an alternative to costly pre-formed semi-rigid assemblies since they are hand formable. This Pasternack SMA to type N cable assembly has a male to female gender configuration with 50 ohm formable PE-SR405FL coax. The PE3W02364 SMA male to type N female cable assembly operates to 11 GHz. Our RF cable assembly with type N bulkhead interface allows designers to create external connections on their product enclosures, and can be used in a variety of other rack mount and panel mount applications.

Custom versions of most RF cable assemblies can be built and shipped same day. Custom cable assembly lengths can be obtained by specifying the desired length on the web site at time of order or by contacting a sales representative. Other available RF cable assembly value added services include connector orientation or clocking, heat shrink booting and custom labeling. RF testing can also be performed to document the electrical performance of your cable assembly.

Electrical Specifications

Description	Minimum	Typical	Maximum	Units
Frequency Range	DC		11	GHz
Velocity of Propagation		69.5		%
Capacitance		29 [95.14]		pF/ft [pF/m]
DC Resistance Inner Conductor		65.7 [215.55]		Ohms/1000ft [Ohms/Km]
DC Resistance Outer Conductor		10.2 [33.46]		Ohms/1000ft [Ohms/Km]

Specifications by Frequency

SMA Male to N Female Bulkhead Cable
Using PE-SR405FL Coax



PE3W02364

Part Number	Length	Description	F1	F2	F3	F4	F5	Units	Weight (lbs)
			Frequency		500	1000	2500	5000	
PE3W02364	Custom Lengths Available	Insertion Loss (Typ.)	0.15	0.23	0.346	0.549	0.85	dB/ft	
			0.5	0.74	1.14	1.81	2.79	dB/m	
PE3W02364-6	6 inch	Insertion Loss (Typ.)	0.28	0.32	0.38	0.48	0.63	dB	0.102
PE3W02364-9	9 inch	Insertion Loss (Typ.)	0.32	0.37	0.46	0.62	0.84	dB	0.105
PE3W02364-12	12 inch	Insertion Loss (Typ.)	0.35	0.43	0.55	0.75	1.05	dB	0.107
PE3W02364-24	24 inch	Insertion Loss (Typ.)	0.5	0.65	0.9	1.3	1.9	dB	0.119
PE3W02364-36	36 inch	Insertion Loss (Typ.)	0.65	0.88	1.24	1.85	2.75	dB	0.13

The insertion loss data for the base model does not include loss due to the connectors. Each length includes insertion loss due to the connectors.

Loss due to Connector 1: 0.1 dB
 Loss due to Connector 2: 0.1 dB
 Base Weight: 0.107 pounds
 Additional Weight per Inch: 0.00092 pounds

Mechanical Specifications

Cable Assembly

Width/Diameter: 0.5 in [12.7 mm]
 Weight: 0.107 lbs [48.53 g]

Cable

Cable Type: PE-SR405FL
 Impedance: 50 Ohms
 Inner Conductor Type: Solid
 Inner Conductor Material and Plating: Copper Clad Steel, Silver
 Dielectric Type: PTFE
 Number of Shields: 1
 Shield Layer 1: Tinned Copper Braid

SMA Male to N Female Bulkhead Cable Using PE-SR405FL Coax



PE3W02364

Connectors

Description	Connector 1	Connector 2
Type	SMA Male	N Female Bulkhead
Specification	MIL-STD-348A	
Impedance	50 Ohms	50 Ohms
Configuration	Straight	Straight
Mating Cycles	500	
Contact Material and Plating	Brass, Gold	Phosphor Bronze, Gold over Nickel
Contact Plating Specification	50 µin minimum	
Dielectric Type	PTFE	PTFE
Body Material and Plating	Stainless Steel, Gold	Brass, Nickel
Body Plating Specification	10 µin minimum	
Coupling Nut Material and Plating	Brass, Nickel	
Coupling Nut Plating Specification	100 µin minimum	
Hex Size	5/16 in.	
Torque	5 in-lbs 0.57 Nm	
Seal Gasket Material	Silicone	

Environmental Specifications

Compliance Certifications (see [product page](#) for current document)

Plotted and Other Data

Notes:

SMA Male to N Female Bulkhead Cable Using PE-SR405FL Coax



PE3W02364

Typical Performance Data

How to Order

Part Number Configuration:

PE3W02364

- **xx**

uu

Unit of Measure:

cm = Centimeters

<blank> = Inches

Length

Base Number

Example: PE3W02364-12 = 12 inches long cable
PE3W02364-100cm = 100 cm long cable

SMA Male to N Female Bulkhead Cable Using PE-SR405FL Coax from Pasternack Enterprises has same day shipment for domestic and International orders. Our RF, microwave and millimeter wave products maintain a 99.4% availability and are part of the broadest selection in the industry.

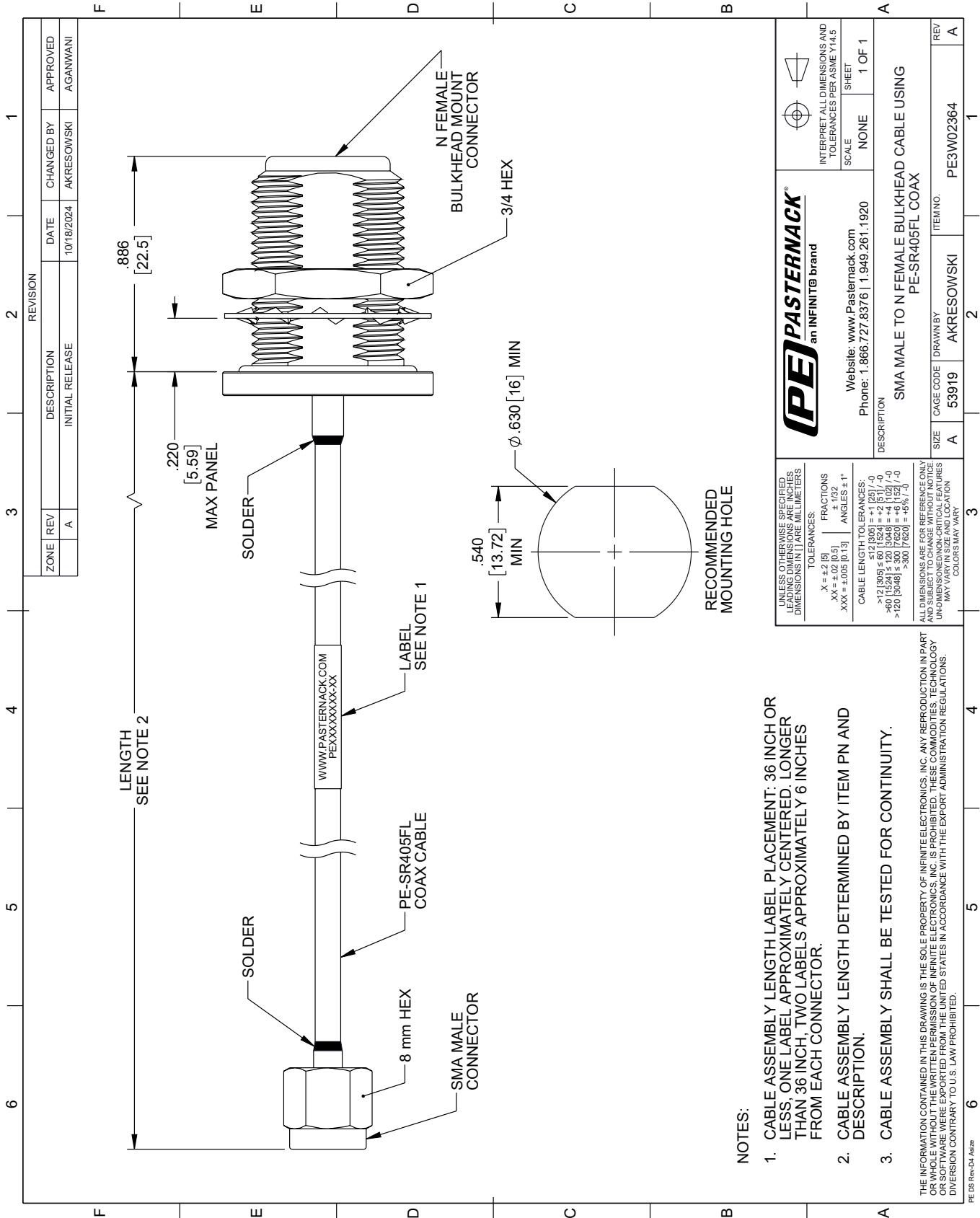
Click the following link (or enter part number in "SEARCH" on website) to obtain additional part information including price, inventory and certifications: [SMA Male to N Female Bulkhead Cable Using PE-SR405FL Coax PE3W02364](#)

URL: <https://www.pasternack.com/sma-male-to-n-female-bulkhead-cable-using-pe-sr405fl-pe3w02364-p.aspx>

The information contained within this document is accurate to the best of our knowledge and representative of the part described herein. It may be necessary to make modifications to the part and/or the documentation of the part in order to implement improvements. Pasternack Enterprises reserves the right to make such changes as required. Unless otherwise stated, all specifications are nominal. Pasternack Enterprises does not make any representation or warranty regarding the suitability of the part described herein for any particular purpose, and Pasternack Enterprises does not assume liability arising out of the use of any part or document.

PE3W02364 CAD Drawing

SMA Male to N Female Bulkhead Cable Using PE-SR405FL Coax



NOTES:

1. CABLE ASSEMBLY LENGTH LABEL PLACEMENT: 36 INCH OR LESS, ONE LABEL APPROXIMATELY CENTERED, LONGER THAN 36 INCH, TWO LABELS APPROXIMATELY 6 INCHES FROM EACH CONNECTOR.
2. CABLE ASSEMBLY LENGTH DETERMINED BY ITEM PN AND DESCRIPTION.
3. CABLE ASSEMBLY SHALL BE TESTED FOR CONTINUITY.

THE INFORMATION CONTAINED IN THIS DRAWING IS THE SOLE PROPERTY OF INFINITE ELECTRONICS, INC. ANY REPRODUCTION IN PART OR WHOLE WITHOUT THE WRITTEN PERMISSION OF INFINITE ELECTRONICS, INC. IS PROHIBITED. THESE COMMODITIES, TECHNOLOGY OR SOFTWARE WERE EXPORTED FROM THE UNITED STATES IN ACCORDANCE WITH THE EXPORT ADMINISTRATION REGULATIONS. DIVERSION CONTRARY TO U.S. LAW PROHIBITED.

UNLESS OTHERWISE SPECIFIED, LEADING DIMENSIONS ARE IN INCHES. DIMENSIONS IN [] ARE MILLIMETERS.	
TOLERANCES:	
.X = ±.2 [5]	FRACTIONS ±.1/32
.XX = ±.02 [0.5]	ANGLES ±1°
.XXX = ±.005 [0.13]	
CABLE LENGTH TOLERANCES:	
<12 [305]	±.1 [2.5] / -0
>12 [305] ≤ 60 [1524]	±.2 [5] / -0
>60 [1524] ≤ 120 [3048]	±.4 [102] / -0
>120 [3048]	±.8 [20.3] / -0
ALL DIMENSIONS ARE FOR REFERENCE ONLY. UNLESS OTHERWISE SPECIFIED, DIMENSIONS ARE NOMINAL. DIMENSIONS/DIMENSIONS/CRITICAL FEATURES MAY VARY IN SIZE AND LOCATION. COLORS MAY VARY.	

PE PASTERNAK an INFINITI brand		INTERPRET ALL DIMENSIONS AND TOLERANCES PER ASME Y14.5	
Website: www.Pasternack.com		SCALE	NONE
Phone: 1.866.727.8376 1.949.261.1920		SHEET	1 OF 1
DESCRIPTION SMA MALE TO N FEMALE BULKHEAD CABLE USING PE-SR405FL COAX			
SIZE	A	CAGE CODE	53919
DRAWN BY	AKRESOWSKI	ITEM NO.	PE3W02364
REV	A		