



N Male Right Angle to N Female Low Loss Cable Using LMR-600 Coax

TECHNICAL DATA SHEET

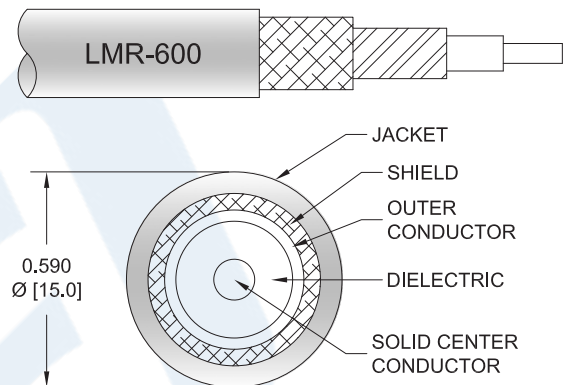
PE3W02447

Configuration

- Connector 1: N Male Right Angle
- Connector 2: N Female
- Cable Type: LMR-600
- Coax Flex Type: Flexible

Features

- Max Frequency 5.8 GHz
- Shielding Effectivity > 90 dB
- 87% Phase Velocity
- Double Shielded
- PE Jacket



Applications

- General Purpose
- Laboratory Use

Description

Pasternack's PE3W02447 type N male right angle to type N female cable using LMR-600 coax is part of our full line of RF components available for same-day shipping. Pasternack's flexible RF cable assemblies are ideal for applications where tight bends and flexure are required. This Pasternack type N to type N cable assembly has a male to female gender configuration with 50 ohm flexible LMR-600 coax. The PE3W02447 type N male to type N female cable assembly operates to 5.8 GHz. The right angle type N interface on the LMR-600 cable allows for easier connections in tight spaces. The double shielding of this Pasternack cable assembly provides excellent shielding effectiveness of better than 90 dB.

Custom versions of most RF cable assemblies can be built and shipped same day. Custom cable assembly lengths can be obtained by specifying the desired length on the web site at time of order or by contacting a sales representative. Other available RF cable assembly value added services include connector orientation or clocking, heat shrink booting and custom labeling. RF testing can also be performed to document the electrical performance of your cable assembly.

Click the following link (or enter part number in "SEARCH" on website) to obtain additional part information including price, inventory and certifications: [N Male Right Angle to N Female Low Loss Cable Using LMR-600 Coax PE3W02447](#)



N Male Right Angle to N Female Low Loss Cable Using LMR-600 Coax

TECHNICAL DATA SHEET

PE3W02447

Electrical Specifications

Description	Minimum	Typical	Maximum	Units
Frequency Range	DC		5.8	GHz
Velocity of Propagation		87		%
RF Shielding	90			dB
Group Delay		1.17 [3.84]		ns/ft [ns/m]
Capacitance		23.4 [76.77]		pF/ft [pF/m]
Inductance		0.058 [0.19]		uH/ft [uH/m]
DC Resistance Inner Conductor		0.53 [1.74]		Ω /1000ft [Ω /Km]
DC Resistance Outer Conductor		1.2 [3.94]		Ω /1000ft [Ω /Km]
Jacket Spark			8,000	Vrms

Specifications by Frequency

Part Number	Length	Description	F1	F2	F3	F4	F5	Units	Weight (lbs)
		Frequency	250	500	1000	2500	5800	MHz	
PE3W02447	Custom Lengths Available	Insertion Loss (Typ.)	0.01	0.02	0.03	0.04	0.07	dB/ft	
			0.04	0.06	0.09	0.15	0.24	dB/m	
PE3W02447-24	24 inch	Insertion Loss (Typ.)	0.33	0.34	0.36	0.39	0.45	dB	0.548
PE3W02447-36	36 inch	Insertion Loss (Typ.)	0.34	0.36	0.38	0.44	0.52	dB	0.685
PE3W02447-48	48 inch	Insertion Loss (Typ.)	0.35	0.37	0.41	0.48	0.6	dB	0.822
PE3W02447-120	120 inch	Insertion Loss (Typ.)	0.42	0.47	0.56	0.74	1.03	dB	1.644
PE3W02447-180	180 inch	Insertion Loss (Typ.)	0.48	0.56	0.69	0.96	1.4	dB	2.329

The insertion loss data for the base model does not include loss due to the connectors. Each length includes insertion loss due to the connectors.

Loss due to Connector 1:	0.2 dB
Loss due to Connector 2:	0.1 dB
Base Weight:	0.41 pounds
Additional Weight per Inch:	0.01142 pounds

Mechanical Specifications

Cable Assembly

Weight	0.41 lbs [185.97 g]
--------	---------------------

Click the following link (or enter part number in "SEARCH" on website) to obtain additional part information including price, inventory and certifications: [N Male Right Angle to N Female Low Loss Cable Using LMR-600 Coax PE3W02447](#)



N Male Right Angle to N Female Low Loss Cable Using LMR-600 Coax

TECHNICAL DATA SHEET

PE3W02447

Cable

Cable Type	LMR-600
Impedance	50 Ohms
Inner Conductor Type	Solid
Inner Conductor Material and Plating	Copper Clad Aluminum
Dielectric Type	PE (F)
Number of Shields	2
Shield Layer 1	Aluminum Tape
Shield Layer 2	Tinned Copper Braid
Jacket Material	PE, Black
Jacket Diameter	0.59 in [14.99 mm]
One Time Minimum Bend Radius	1.5 in [38.1 mm]
Repeated Minimum Bend Radius	6 in [152.4 mm]
Bending Moment	2.75 lbs-ft [3.73 N-m]
Flat Plate Crush	60 lbs/in [1.07 Kg/mm]
Tensile Strength	350 lbs [158.76 Kg]

Connectors

Description	Connector 1	Connector 2
Type	N Male Right Angle Threaded	N Female Threaded
Impedance	50 Ohms	50 Ohms
Contact Material and Plating	Brass, Gold	Phosphor Bronze, Gold
Dielectric Type	PTFE	PTFE
Body Material and Plating	Brass, Tri-Metal	Brass, Tri-Metal

Environmental Specifications

Temperature

Operating Range -40 to +85 deg C

Compliance Certifications (see [product page](#) for current document)

Plotted and Other Data

Notes:

Click the following link (or enter part number in "SEARCH" on website) to obtain additional part information including price, inventory and certifications: [N Male Right Angle to N Female Low Loss Cable Using LMR-600 Coax PE3W02447](#)



N Male Right Angle to N Female Low Loss Cable Using LMR-600 Coax

TECHNICAL DATA SHEET

PE3W02447

How to Order

Part Number Configuration:

PE3W02447

- **xx**

uu

Unit of Measure:

cm = Centimeters

<blank> = Inches

Length

Base Number

Example: PE3W02447-12 = 12 inches long cable
PE3W02447-100cm = 100 cm long cable

N Male Right Angle to N Female Low Loss Cable Using LMR-600 Coax from Pasternack Enterprises has same day shipment for domestic and International orders. Our RF, microwave and millimeter wave products maintain a 99.4% availability and are part of the broadest selection in the industry.

Click the following link (or enter part number in "SEARCH" on website) to obtain additional part information including price, inventory and certifications: [N Male Right Angle to N Female Low Loss Cable Using LMR-600 Coax PE3W02447](#)

URL: <https://www.pasternack.com/n-male-right-angle-to-n-female-low-loss-cable-using-lmr-600-pe3w02447-p.aspx>

The information contained in this document is accurate to the best of our knowledge and representative of the part described herein. It may be necessary to make modifications to the part and/or the documentation of the part, in order to implement improvements. Pasternack reserves the right to make such changes as required. Unless otherwise stated, all specifications are nominal. Pasternack does not make any representation or warranty regarding the suitability of the part described herein for any particular purpose, and Pasternack does not assume any liability arising out of the use of any part or documentation.

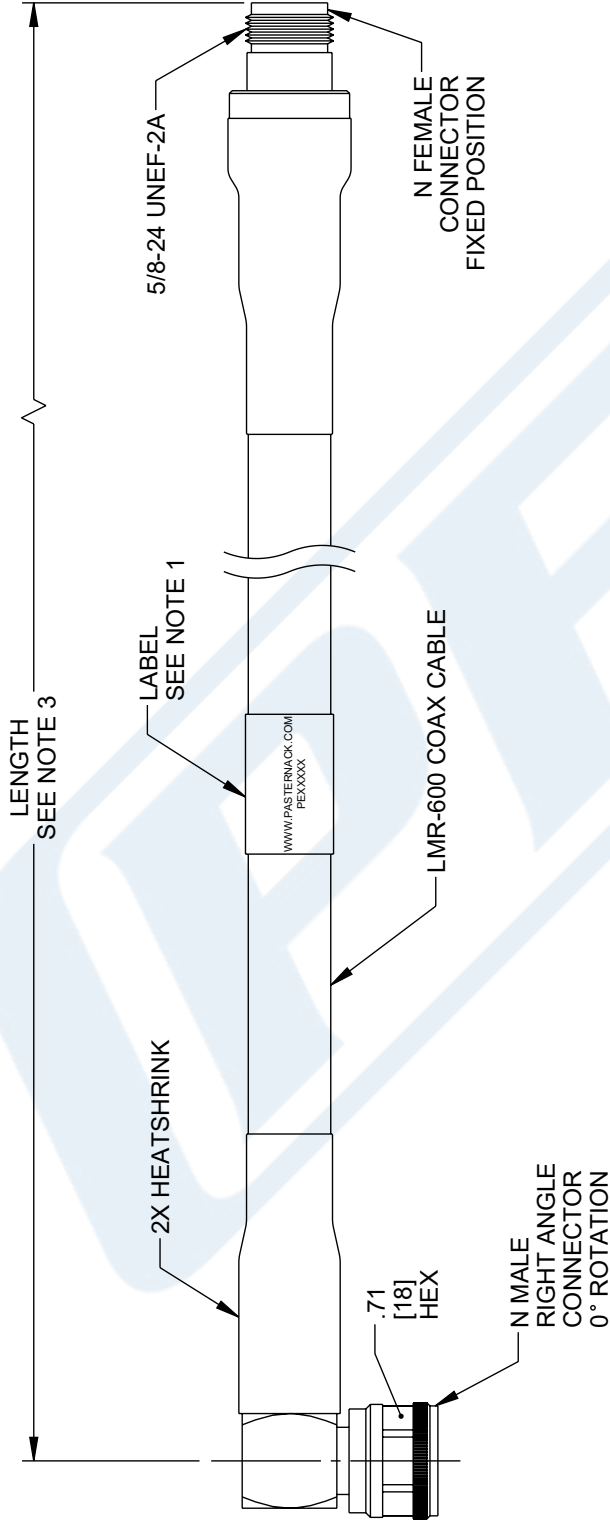
PE3W02447 CAD Drawing

N Male Right Angle to N Female Low Loss Cable Using LMR-600 Coax

F E D C B A

1 2 3 4 5 6

REVISION		DATE	CHANGED BY	APPROVED
ZONE	REV	DESCRIPTION	INITIAL RELEASE	
	A		DMAY	AGANWANI



NOTES:

- CABLE ASSEMBLY LENGTH LABEL PLACEMENT: 36 INCHES OR LESS, ONE LABEL APPROXIMATELY CENTERED. LONGER THAN 36 INCHES, TWO LABELS APPROXIMATELY 6 INCHES FROM EACH CONNECTOR.
- CABLE ASSEMBLIES SHALL BE TESTED FOR CONTINUITY.
- CABLE ASSEMBLY LENGTH DETERMINED BY ITEM PN AND DESCRIPTION.

THE INFORMATION CONTAINED IN THIS DRAWING IS THE SOLE PROPERTY OF INFINITE ELECTRONICS, INC. ANY REPRODUCTION IN PART OR WHOLE WITHOUT THE WRITTEN PERMISSION OF INFINITE ELECTRONICS, INC. IS PROHIBITED. THESE COMMODITIES, TECHNOLOGY OR SOFTWARE WERE EXPORTED FROM THE UNITED STATES IN ACCORDANCE WITH THE EXPORT ADMINISTRATION REGULATIONS. DIVERSION CONTRARY TO U.S. LAW PROHIBITED.

	INTERPRET ALL DIMENSIONS AND TOLERANCES PER ASME Y14.5 SCALE NONE SHEET 1 OF 1
	Website: www.Pasternack.com Phone: 1.866.727.8376 1.949.261.1920
DESCRIPTION N MALE RIGHT ANGLE TO N FEMALE LOW LOSS CABLE USING LMR-600 COAX	
SIZE A CAGE CODE 53919 DRAWN BY DMAY	ITEM NO. PE3W02447 REV A

UNLESS OTHERWISE SPECIFIED LEADING DIMENSIONS ARE INCHES DIMENSIONS IN [] ARE MILLIMETERS

TOLERANCES:	FRACTIONS
.X = ±.2 [5]	±.732
.XX = ±.02 [0.5]	ANGLES ± 1°
.XXX = ±.005 [0.13]	CABLE LENGTH TOLERANCES:
	<12 [305] = ±.1 [25] / -0
	>12 [305] ≤ 60 [1524] = ±.2 [5] / -0
	>60 [1524] ≤ 120 [3048] = ±.4 [102] / -0
	>120 [3048] ≤ 300 [7620] = ±.6 [152] / -0
	>300 [7620] = ±.5% / -0

ALL DIMENSIONS ARE FOR REFERENCE ONLY UNLESS OTHERWISE SPECIFIED UNLESS OTHERWISE NOTED, CRITICAL FEATURES MAY VARY IN SIZE AND LOCATION COLORS MAY VARY