

SMA Male Right Angle to N Male Cable Using RG58 Coax



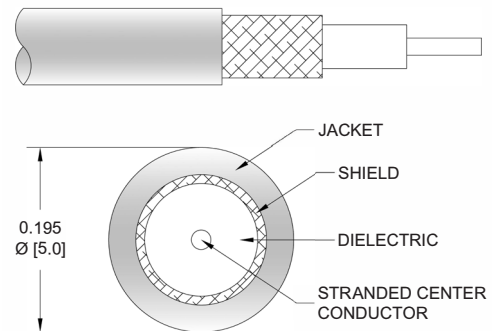
PE3W03603

Configuration

- Connector 1: SMA Male Right Angle
- Connector 2: N Male
- Cable Type: RG58
- Coax Flex Type: Flexible

Features

- Max Frequency 5 GHz
- 65.9% Phase Velocity
- PVC (NC) Jacket



Applications

- General Purpose
- Laboratory Use

Description

Pasternack's PE3W03603 SMA male right angle to type N male cable using RG58 coax is part of our full line of RF components available for same-day shipping. Pasternack's flexible RF cable assemblies are ideal for applications where tight bends and flexure are required. This Pasternack SMA to type N cable assembly has a male to male gender configuration with 50 ohm flexible RG58 coax. The PE3W03603 SMA male to type N male cable assembly operates to 5 GHz. The right angle SMA interface on the RG58 cable allows for easier connections in tight spaces.

Custom versions of most RF cable assemblies can be built and shipped same day. Custom cable assembly lengths can be obtained by specifying the desired length on the web site at time of order or by contacting a sales representative. Other available RF cable assembly value added services include connector orientation or clocking, heat shrink booting and custom labeling. RF testing can also be performed to document the electrical performance of your cable assembly.

Electrical Specifications

| Description | Minimum | Typical | Maximum | Units |
|-------------------------|---------|---------------|---------|--------------|
| Frequency Range | DC | | 5 | GHz |
| VSWR | | | 1.4:1 | |
| Velocity of Propagation | | 65.9 | | % |
| Capacitance | | 30.8 [101.05] | | pF/ft [pF/m] |

Specifications by Frequency

SMA Male Right Angle to N Male Cable Using RG58 Coax



PE3W03603

| Part Number | Length | Description | F1 | F2 | F3 | F4 | F5 | Units | Weight (lbs) |
|-----------------|--------------------------|-----------------------|-----------|-------|------|------|------|-------|--------------|
| | | | Frequency | | 250 | 500 | 1000 | 2500 | |
| PE3W03603 | Custom Lengths Available | Insertion Loss (Typ.) | 0.074 | 0.116 | 0.2 | 0.35 | 0.6 | dB/ft | |
| | | | 0.25 | 0.39 | 0.66 | 1.15 | 1.97 | dB/m | |
| PE3W03603-12 | 12 In | Insertion Loss (Typ.) | 0.38 | 0.42 | 0.5 | 0.65 | 0.9 | dB | 0.125 |
| PE3W03603-24 | 24 In | Insertion Loss (Typ.) | 0.45 | 0.54 | 0.7 | 1 | 1.5 | dB | 0.149 |
| PE3W03603-36 | 36 In | Insertion Loss (Typ.) | 0.53 | 0.65 | 0.9 | 1.35 | 2.1 | dB | 0.173 |
| PE3W03603-48 | 48 In | Insertion Loss (Typ.) | 0.6 | 0.77 | 1.1 | 1.7 | 2.7 | dB | 0.197 |
| PE3W03603-200CM | 200 CM | Insertion Loss (Typ.) | 0.79 | 1.07 | 1.62 | 2.6 | 4.24 | dB | 0.259 |

The insertion loss data for the base model does not include loss due to the connectors. Each length includes insertion loss due to the connectors.

| | |
|-----------------------------|--------------|
| Loss due to Connector 1: | 0.2 dB |
| Loss due to Connector 2: | 0.1 dB |
| Base Weight: | 0.125 pounds |
| Additional Weight per Inch: | 0.002 pounds |

Mechanical Specifications

Cable Assembly

| | |
|----------------|--------------------|
| Width/Diameter | 0.5 in [12.7 mm] |
| Weight | 0.125 lbs [56.7 g] |

Cable

| | |
|--------------------------------------|---------------------|
| Cable Type | RG58 |
| Impedance | 50 Ohms |
| Inner Conductor Type | Stranded |
| Inner Conductor Material and Plating | Copper, Tin |
| Dielectric Type | PE |
| Number of Shields | 1 |
| Shield Layer 1 | Tinned Copper Braid |
| Jacket Material | PVC (NC), Black |
| Jacket Diameter | 0.195 in [4.95 mm] |
| One Time Minimum Bend Radius | 0.98 in [24.89 mm] |
| Repeated Minimum Bend Radius | 1.96 in [49.78 mm] |

SMA Male Right Angle to N Male Cable Using RG58 Coax



PE3W03603

Connectors

| Description | Connector 1 | Connector 2 |
|------------------------------------|----------------------|------------------|
| Type | SMA Male Right Angle | N Male |
| Specification | MIL-STD-348A | MIL-STD-348 |
| Impedance | 50 Ohms | 50 Ohms |
| Configuration | Right Angle | Straight |
| Contact Material and Plating | Brass, Gold | Brass, Gold |
| Contact Plating Specification | 50 µin minimum | 50 µin minimum |
| Dielectric Type | PTFE | Teflon |
| Body Material and Plating | Brass, Nickel | Brass, Tri-Metal |
| Body Plating Specification | 100 µin minimum | |
| Coupling Nut Material and Plating | Brass, Nickel | Brass, Tri-Metal |
| Coupling Nut Plating Specification | 100 µin minimum | |
| Hex Size | 5/16 inch | 13/16 Inch |
| Torque | 3 in-lbs 0.34 Nm | 9 in-lbs 1.02 Nm |

Environmental Specifications

Operating Range Temperature -40 to +80 deg C

Compliance Certifications (see [product page](#) for current document)

Plotted and Other Data

Notes:

SMA Male Right Angle to N Male Cable Using RG58 Coax



PE3W03603

Typical Performance Data

How to Order

Part Number Configuration:

PE3W03603

- **xx**

uu

Unit of Measure:

cm = Centimeters

<blank> = Inches

Length

Base Number

Example: PE3W03603-12 = 12 inches long cable
PE3W03603-100cm = 100 cm long cable

SMA Male Right Angle to N Male Cable Using RG58 Coax from Pasternack Enterprises has same day shipment for domestic and International orders. Our RF, microwave and millimeter wave products maintain a 99.4% availability and are part of the broadest selection in the industry.

Click the following link (or enter part number in "SEARCH" on website) to obtain additional part information including price, inventory and certifications: [SMA Male Right Angle to N Male Cable Using RG58 Coax PE3W03603](https://www.pasternack.com/sma-male-right-angle-to-n-male-cable-using-rg58-pe3w03603)

URL: <https://www.pasternack.com/sma-male-right-angle-to-n-male-cable-using-rg58-pe3w03603-p.aspx>

The information contained within this document is accurate to the best of our knowledge and representative of the part described herein. It may be necessary to make modifications to the part and/or the documentation of the part in order to implement improvements. Pasternack Enterprises reserves the right to make such changes as required. Unless otherwise stated, all specifications are nominal. Pasternack Enterprises does not make any representation or warranty regarding the suitability of the part described herein for any particular purpose, and Pasternack Enterprises does not assume liability arising out of the use of any part or document.

PE3W03603 CAD Drawing

SMA Male Right Angle to N Male Cable Using RG58 Coax

