



## MCX Plug Right Angle to TNC Female Bulkhead Low Loss Cable Using LMR-100 Coax

### TECHNICAL DATA SHEET

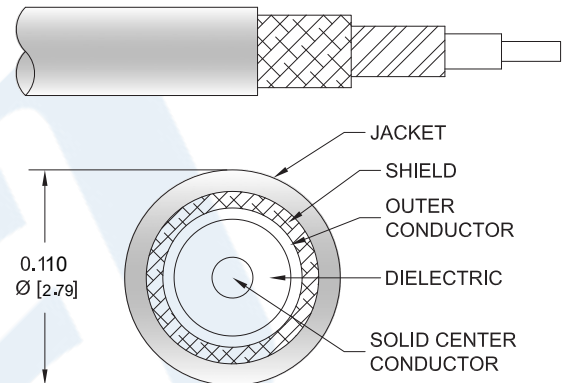
PE3W04182

#### Configuration

- Connector 1: MCX Plug Right Angle
- Connector 2: TNC Female Bulkhead
- Cable Type: LMR-100A
- Coax Flex Type: Flexible

#### Features

- Max Frequency 1 GHz
- Shielding Effectivity > 90 dB
- 66% Phase Velocity
- Double Shielded
- PVC Jacket



#### Applications

- General Purpose
- Laboratory Use

#### Description

Pasternack's PE3W04182 MCX plug right angle to TNC female bulkhead cable using LMR-100 coax is part of our full line of RF components available for same-day shipping. Pasternack's flexible RF cable assemblies are ideal for applications where tight bends and flexure are required. This Pasternack MCX to TNC cable assembly has a plug to female gender configuration with 50 ohm flexible LMR-100A coax. The PE3W04182 MCX plug to TNC female cable assembly operates to 1 GHz. The right angle MCX interface on the LMR-100A cable allows for easier connections in tight spaces. Our RF cable assembly with TNC bulkhead interface allows designers to create external connections on their product enclosures, and can be used in a variety of other rack mount and panel mount applications. The double shielding of this Pasternack cable assembly provides excellent shielding effectiveness of better than 90 dB.

Custom versions of most RF cable assemblies can be built and shipped same day. Custom cable assembly lengths can be obtained by specifying the desired length on the web site at time of order or by contacting a sales representative. Other available RF cable assembly value added services include connector orientation or clocking, heat shrink booting and custom labeling. RF testing can also be performed to document the electrical performance of your cable assembly.

Click the following link (or enter part number in "SEARCH" on website) to obtain additional part information including price, inventory and certifications: [MCX Plug Right Angle to TNC Female Bulkhead Low Loss Cable Using LMR-100 Coax PE3W04182](#)



## MCX Plug Right Angle to TNC Female Bulkhead Low Loss Cable Using LMR-100 Coax

### TECHNICAL DATA SHEET

**PE3W04182**

#### Electrical Specifications

Description	Minimum	Typical	Maximum	Units
Frequency Range	DC		1,000	MHz
VSWR			1.4:1	
Velocity of Propagation		66		%
RF Shielding	90			dB
Group Delay		1.54 [5.05]		ns/ft [ns/m]
Capacitance		30.8 [101.05]		pF/ft [pF/m]
Inductance		0.077 [0.25]		uH/ft [uH/m]
DC Resistance Inner Conductor		81 [265.75]		$\Omega$ /1000ft [ $\Omega$ /Km]
DC Resistance Outer Conductor		9.5 [31.17]		$\Omega$ /1000ft [ $\Omega$ /Km]
Jacket Spark			2,000	Vrms

#### Specifications by Frequency

Part Number	Length	Description	F1	F2	F3	F4	F5	Units	Weight (lbs)
		Frequency	50	100	250	500	1000	MHz	
PE3W04182	Custom Lengths Available	Insertion Loss (Typ.)	0.05	0.07	0.12	0.17	0.24	dB/ft	
			0.17	0.23	0.38	0.55	0.79	dB/m	
PE3W04182-24	24 inch	Insertion Loss (Typ.)	0.41	0.44	0.53	0.63	0.78	dB	0.072
PE3W04182-36	36 inch	Insertion Loss (Typ.)	0.46	0.51	0.65	0.8	1.02	dB	0.081
PE3W04182-48	48 inch	Insertion Loss (Typ.)	0.51	0.58	0.76	0.96	1.26	dB	0.09
PE3W04182-100CM	100 cm	Insertion Loss (Typ.)	0.47	0.53	0.68	0.85	1.09	dB	0.084
PE3W04182-200CM	200 cm	Insertion Loss (Typ.)	0.64	0.76	1.06	1.39	1.88	dB	0.114

The insertion loss data for the base model does not include loss due to the connectors. Each length includes insertion loss due to the connectors.

Loss due to Connector 1:	0.2 dB
Loss due to Connector 2:	0.1 dB
Base Weight:	0.063 pounds
Additional Weight per Inch:	0.00075 pounds

#### Mechanical Specifications

##### Cable Assembly

Weight 0.063 lbs [28.58 g]

Click the following link (or enter part number in "SEARCH" on website) to obtain additional part information including price, inventory and certifications: [MCX Plug Right Angle to TNC Female Bulkhead Low Loss Cable Using LMR-100 Coax PE3W04182](#)



## MCX Plug Right Angle to TNC Female Bulkhead Low Loss Cable Using LMR-100 Coax

### TECHNICAL DATA SHEET

**PE3W04182**

#### Cable

Cable Type	LMR-100A
Impedance	50 Ohms
Inner Conductor Type	Solid
Inner Conductor Material and Plating	Copper Clad Steel
Dielectric Type	PE
Number of Shields	2
Shield Layer 1	Aluminum Tape
Shield Layer 2	Tinned Copper Braid
Jacket Material	PVC, Black
Jacket Diameter	0.11 in [2.79 mm]
One Time Minimum Bend Radius	0.25 in [6.35 mm]
Repeated Minimum Bend Radius	1 in [25.4 mm]
Bending Moment	0.1 lbs-ft [0.14 N-m]
Flat Plate Crush	10 lbs/in [0.18 Kg/mm]
Tensile Strength	15 lbs [6.8 Kg]

#### Connectors

Description	Connector 1	Connector 2
Type	MCX Plug Right Angle Push-On	TNC Female Bulkhead Threaded
Specification	CECC 22220	MIL-STD-348A
Impedance	50 Ohms	50 Ohms
Contact Material and Plating	Brass, Gold	Brass, Gold
Contact Plating Specification	30 µin minimum	30 µin minimum
Dielectric Type	PTFE	PTFE
Body Material and Plating	Brass, Nickel	Brass, Nickel
Body Plating Specification	100 µin minimum	100 µin minimum

#### Environmental Specifications

##### Temperature

Operating Range -40 to +60 deg C

**Compliance Certifications** (see [product page](#) for current document)

#### Plotted and Other Data

Notes:

Click the following link (or enter part number in "SEARCH" on website) to obtain additional part information including price, inventory and certifications: [MCX Plug Right Angle to TNC Female Bulkhead Low Loss Cable Using LMR-100 Coax PE3W04182](#)



## MCX Plug Right Angle to TNC Female Bulkhead Low Loss Cable Using LMR-100 Coax

### TECHNICAL DATA SHEET

**PE3W04182**

#### How to Order

Part Number Configuration:

**PE3W04182**

- **xx**

**uu**

Unit of Measure:

cm = Centimeters

<blank> = Inches

Length

Base Number

Example: PE3W04182-12 = 12 inches long cable  
PE3W04182-100cm = 100 cm long cable

MCX Plug Right Angle to TNC Female Bulkhead Low Loss Cable Using LMR-100 Coax from Pasternack Enterprises has same day shipment for domestic and International orders. Our RF, microwave and millimeter wave products maintain a 99.4% availability and are part of the broadest selection in the industry.

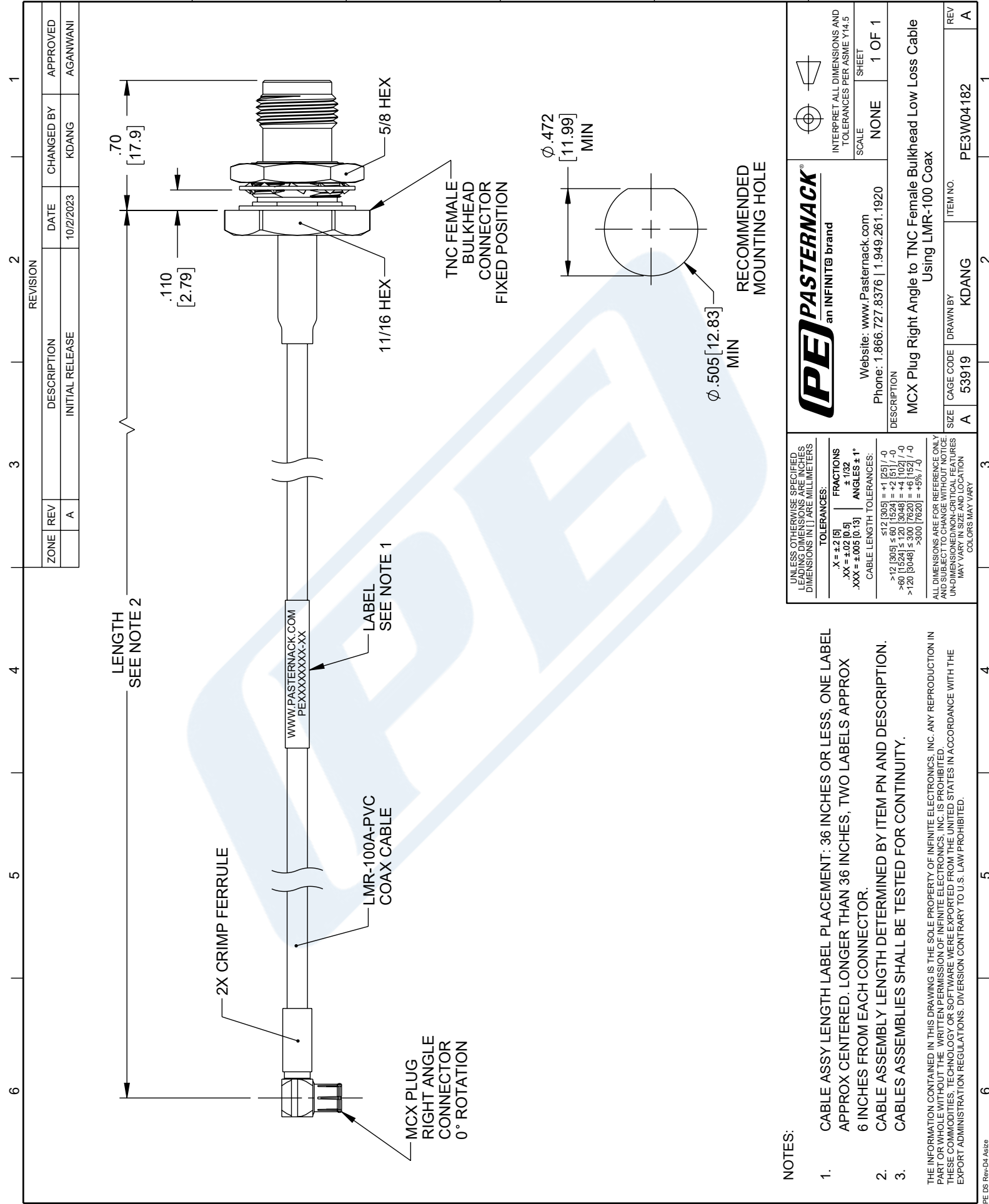
Click the following link (or enter part number in "SEARCH" on website) to obtain additional part information including price, inventory and certifications: [MCX Plug Right Angle to TNC Female Bulkhead Low Loss Cable Using LMR-100 Coax PE3W04182](https://www.pasternack.com/mcx-plug-right-angle-to-tnc-female-bulkhead-low-loss-cable-using-lmr-100-pe3w04182-p.aspx)

URL: <https://www.pasternack.com/mcx-plug-right-angle-to-tnc-female-bulkhead-low-loss-cable-using-lmr-100-pe3w04182-p.aspx>

The information contained in this document is accurate to the best of our knowledge and representative of the part described herein. It may be necessary to make modifications to the part and/or the documentation of the part, in order to implement improvements. Pasternack reserves the right to make such changes as required. Unless otherwise stated, all specifications are nominal. Pasternack does not make any representation or warranty regarding the suitability of the part described herein for any particular purpose, and Pasternack does not assume any liability arising out of the use of any part or documentation.

# PE3W04182 CAD Drawing

MCX Plug Right Angle to TNC Female Bulkhead Low Loss Cable Using LMR-100 Coax



LENGTH  
SEE NOTE 2

2X CRIMP FERRULE

WWW.PASTERNAK.COM  
PEXXXXXXX-XX

LABEL  
SEE NOTE 1

LMR-100A-PVC  
COAX CABLE

MCX PLUG  
RIGHT ANGLE  
CONNECTOR  
0° ROTATION

11/16 HEX

TNC FEMALE  
BULKHEAD  
CONNECTOR  
FIXED POSITION

Ø.472  
[11.99]  
MIN

Ø.505 [12.83]  
MIN

RECOMMENDED  
MOUNTING HOLE

**NOTES:**

- CABLE ASSY LENGTH LABEL PLACEMENT: 36 INCHES OR LESS, ONE LABEL APPROX CENTERED. LONGER THAN 36 INCHES, TWO LABELS APPROX 6 INCHES FROM EACH CONNECTOR.
- CABLE ASSEMBLY LENGTH DETERMINED BY ITEM PN AND DESCRIPTION.
- CABLES ASSEMBLIES SHALL BE TESTED FOR CONTINUITY.

THE INFORMATION CONTAINED IN THIS DRAWING IS THE SOLE PROPERTY OF INFINITE ELECTRONICS, INC. ANY REPRODUCTION IN PART OR WHOLE WITHOUT THE WRITTEN PERMISSION OF INFINITE ELECTRONICS, INC. IS PROHIBITED. THESE COMMODITIES, TECHNOLOGY OR SOFTWARE WERE EXPORTED FROM THE UNITED STATES IN ACCORDANCE WITH THE EXPORT ADMINISTRATION REGULATIONS. DIVERSION CONTRARY TO U.S. LAW PROHIBITED.

UNLESS OTHERWISE SPECIFIED LEADING DIMENSIONS ARE IN INCHES DIMENSIONS IN [ ] ARE MILLIMETERS	
TOLERANCES:	
.X = ±2 [0.5]	FRACTIONS ± 1/32
.XX = ±02 [0.5]	ANGLES ± 1°
.XXX = ±.005 [0.13]	CABLE LENGTH TOLERANCES:
	≤12 [305] = +1 [25] / -0
	>12 [305] ≤ 60 [1524] = +2 [51] / -0
	>60 [1524] ≤ 120 [3048] = +4 [102] / -0
	>120 [3048] = +8 [203] / -0
	>300 [7620] = +5/8 [15.875] / -0
ALL DIMENSIONS ARE FOR REFERENCE ONLY AND SUBJECT TO CHANGE WITHOUT NOTICE UNLESS INDICATED OTHERWISE. DIMENSIONS MAY VARY IN SIZE AND LOCATION COLORS MAY VARY	

<b>PE PASTERNAK</b> an INFINITIB brand		INTERPRET ALL DIMENSIONS AND TOLERANCES PER ASME Y14.5	
Website: www.Pasternack.com Phone: 1.866.727.8376   1.949.261.1920		SCALE	SHEET
DESCRIPTION MCX Plug Right Angle to TNC Female Bulkhead Low Loss Cable Using LMR-100 Coax		NONE	1 OF 1
SIZE	CABLE CODE	DRAWN BY	ITEM NO.
A	53919	KDANG	PE3W04182
REV			A

REVISION			
ZONE	REV	DESCRIPTION	CHANGED BY
	A	INITIAL RELEASE	KDANG
			AGANWANI
			10/2/2023
			DATE
			APPROVED