



N Male Connector Clamp/Solder Attachment for PE-C500, LMR-500

RF Connectors Technical Data Sheet

PE44046

Configuration

- N Male Connector
- MIL-STD-348A
- 50 Ohms
- Straight Body Geometry
- PE-C500, LMR-500 Interface Type
- Clamp/Solder Attachment

Features

- Gold Plated Brass Contact
- 30 µin minimum contact plating

Applications

- General Purpose Test
- Custom Cable Assemblies

Description

Pasternack's PE44046 type N male connector with clamp/solder attachment for PE-C500 and LMR-500 is part of our full line of RF components available for same-day shipping.

Our type N male connector PE44046 datasheet specifications and drawing with dimensions are shown below in this PDF. Pasternack's broad catalog of RF, microwave and millimeter wave connectors allows designers to configure and customize their signal connections however they like. Whether the need is to provide an I/O for a board design, or simply create a custom cable assembly configuration, Pasternack has the right connector for the job. Pasternack can also expertly build your custom cable assemblies for you and ship same-day.

Mechanical Specifications

Size

Length	2.12 in [53.85 mm]
Width/Dia.	0.87 in [22.10 mm]
Weight	0.22 lbs [99.79 g]

Material Specifications

Description	Material	Plating
Contact	Brass	Gold 30 µin minimum
Insulation	PTFE	
Body	Brass	Nickel 100 µin minimum
Coupling Nut	Brass	Nickel 100 µin minimum

Click the following link (or enter part number in "SEARCH" on website) to obtain additional part information including price, inventory and certifications: [N Male Connector Clamp/Solder Attachment for PE-C500, LMR-500 PE44046](#)



N Male Connector Clamp/Solder Attachment for PE-C500, LMR-500

RF Connectors Technical Data Sheet

PE44046

Compliance Certifications (see [product page](#) for current document)

Plotted and Other Data

Notes:

N Male Connector Clamp/Solder Attachment for PE-C500, LMR-500 from Pasternack Enterprises has same day shipment for domestic and International orders. Our RF, microwave and millimeter wave products maintain a 99% availability and are part of the broadest selection in the industry.

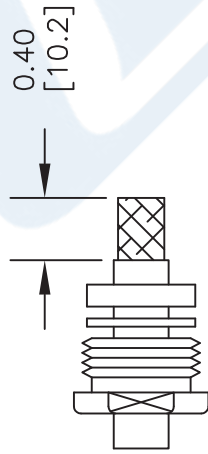
Click the following link (or enter part number in "SEARCH" on website) to obtain additional part information including price, inventory and certifications: [N Male Connector Clamp/Solder Attachment for PE-C500, LMR-500 PE44046](#)

URL: <https://www.pasternack.com/n-male-standard-pe-c500-connector-pe44046-p.aspx>

The information contained in this document is accurate to the best of our knowledge and representative of the part described herein. It may be necessary to make modifications to the part and/or the documentation of the part, in order to implement improvements. Pasternack reserves the right to make such changes as required. Unless otherwise stated, all specifications are nominal. Pasternack does not make any representation or warranty regarding the suitability of the part described herein for any particular purpose, and Pasternack does not assume any liability arising out of the use of any part or documentation.

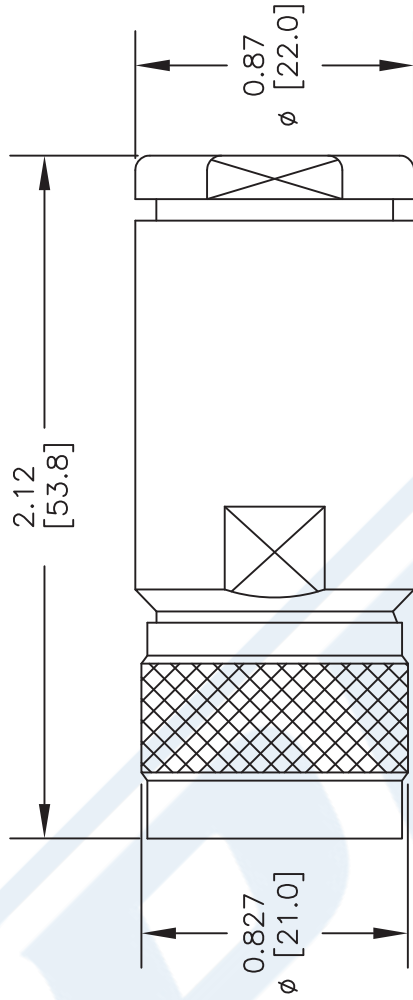
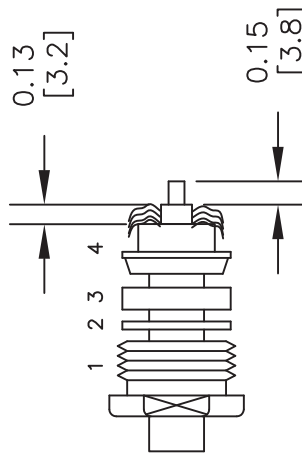
ASSEMBLY PROCEDURES

1. SLIDE CLAMP NUT (1), WASHER (2) & GASKET (3) OVER CABLE. STRIP CABLE AS SHOWN. DO NOT NICK BRAID WHILE CUTTING JACKET. TAPER END OF BRAID TO PERMIT ASSEMBLY OF BRAID CLAMP (4). SLIDE BRAID CLAMP (4) OVER BRAID & SEAT AGAINST JACKET.



1 2 3

2. FORM BRAID OVER CLAMP NUT (4). TRIM BRAID BACK TO SHOULDER. CUT DIELECTRIC & CENTER CONDUCTOR TO DIMENSION SHOWN. DO NOT NICK CENTER CONDUCTOR. SOLDER CONTACT TO CENTER CONDUCTOR. REMOVE EXCESS SOLDER. DO NOT OVER HEAT DIELECTRIC. INSERT CABLE ASSEMBLY INTO BODY & TIGHTEN.



DWG TITLE

PE44046

FSCM NO. 53919

NOTES:
 1. UNLESS OTHERWISE SPECIFIED ALL DIMENSIONS ARE NOMINAL.
 2. ALL SPECIFICATIONS ARE SUBJECT TO CHANGE WITHOUT NOTICE AT ANY TIME.
 3. DIMENSIONS ARE IN INCHES [mm].
 4. FITS MIL-C-17 AND EQUIVALENT CABLES.

CAD FILE 032513-B

SCALE N/A

SIZE A

2233



PASTERNAK®
 Pasternack Enterprises, Inc.
 P.O. Box 16759 | Irvine | CA | 92623
Phone: (949) 261-1920 | **Fax:** (949) 261-7451
Website: www.pasternack.com | **E-Mail:** sales@pasternack.com



N Male Connector Clamp/Solder Attachment for PE-C500, LMR-500

RF Connectors Technical Data Sheet

PE44046

Configuration

- N Male Connector
- MIL-STD-348A
- 50 Ohms
- Straight Body Geometry
- PE-C500, LMR-500 Interface Type
- Clamp/Solder Attachment

Features

- Gold Plated Brass Contact
- 30 µin minimum contact plating

Applications

- General Purpose Test
- Custom Cable Assemblies

Description

Pasternack's PE44046 type N male connector with clamp/solder attachment for PE-C500 and LMR-500 is part of our full line of RF components available for same-day shipping.

Our type N male connector PE44046 datasheet specifications and drawing with dimensions are shown below in this PDF. Pasternack's broad catalog of RF, microwave and millimeter wave connectors allows designers to configure and customize their signal connections however they like. Whether the need is to provide an I/O for a board design, or simply create a custom cable assembly configuration, Pasternack has the right connector for the job. Pasternack can also expertly build your custom cable assemblies for you and ship same-day.

Mechanical Specifications

Size

Length	2.12 in [53.85 mm]
Width/Dia.	0.87 in [22.10 mm]
Weight	0.22 lbs [99.79 g]

Material Specifications

Description	Material	Plating
Contact	Brass	Gold 30 µin minimum
Insulation	PTFE	
Body	Brass	Nickel 100 µin minimum
Coupling Nut	Brass	Nickel 100 µin minimum

Click the following link (or enter part number in "SEARCH" on website) to obtain additional part information including price, inventory and certifications: [N Male Connector Clamp/Solder Attachment for PE-C500, LMR-500 PE44046](#)



N Male Connector Clamp/Solder Attachment for PE-C500, LMR-500

RF Connectors Technical Data Sheet

PE44046

Compliance Certifications (see [product page](#) for current document)

Plotted and Other Data

Notes:

N Male Connector Clamp/Solder Attachment for PE-C500, LMR-500 from Pasternack Enterprises has same day shipment for domestic and International orders. Our RF, microwave and millimeter wave products maintain a 99% availability and are part of the broadest selection in the industry.

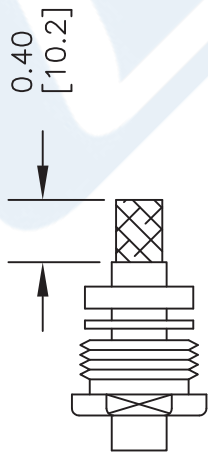
Click the following link (or enter part number in "SEARCH" on website) to obtain additional part information including price, inventory and certifications: [N Male Connector Clamp/Solder Attachment for PE-C500, LMR-500 PE44046](#)

URL: <https://www.pasternack.com/n-male-standard-pe-c500-connector-pe44046-p.aspx>

The information contained in this document is accurate to the best of our knowledge and representative of the part described herein. It may be necessary to make modifications to the part and/or the documentation of the part, in order to implement improvements. Pasternack reserves the right to make such changes as required. Unless otherwise stated, all specifications are nominal. Pasternack does not make any representation or warranty regarding the suitability of the part described herein for any particular purpose, and Pasternack does not assume any liability arising out of the use of any part or documentation.

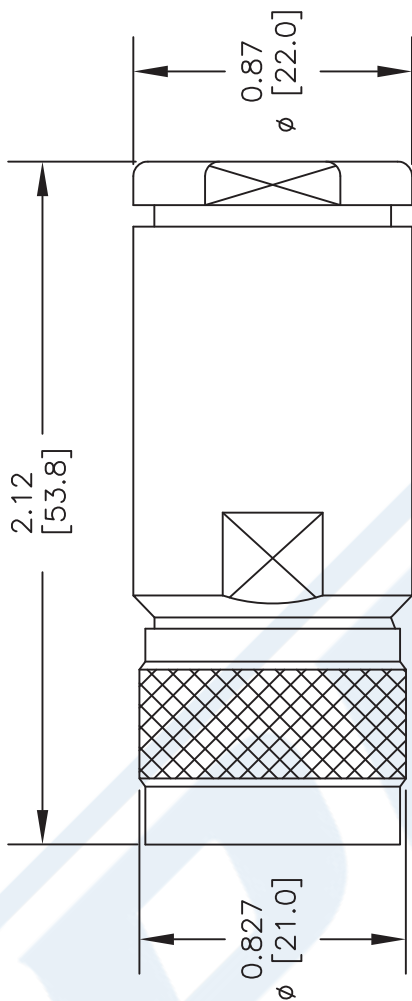
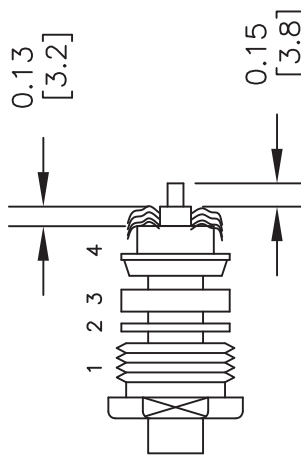
ASSEMBLY PROCEDURES

1. SLIDE CLAMP NUT (1), WASHER (2) & GASKET (3) OVER CABLE. STRIP CABLE AS SHOWN. DO NOT NICK BRAID WHILE CUTTING JACKET. TAPER END OF BRAID TO PERMIT ASSEMBLY OF BRAID CLAMP (4). SLIDE BRAID CLAMP (4) OVER BRAID & SEAT AGAINST JACKET.



1 2 3

2. FORM BRAID OVER CLAMP NUT (4). TRIM BRAID BACK TO SHOULDER. CUT DIELECTRIC & CENTER CONDUCTOR TO DIMENSION SHOWN. DO NOT NICK CENTER CONDUCTOR. SOLDER CONTACT TO CENTER CONDUCTOR. REMOVE EXCESS SOLDER. DO NOT OVER HEAT DIELECTRIC. INSERT CABLE ASSEMBLY INTO BODY & TIGHTEN.



DWG TITLE

PE44046

FSCM NO. 53919

NOTES:
 1. UNLESS OTHERWISE SPECIFIED ALL DIMENSIONS ARE NOMINAL.
 2. ALL SPECIFICATIONS ARE SUBJECT TO CHANGE WITHOUT NOTICE AT ANY TIME.
 3. DIMENSIONS ARE IN INCHES [mm].
 4. FITS MIL-C-17 AND EQUIVALENT CABLES.

CAD FILE 032513-B

SCALE N/A

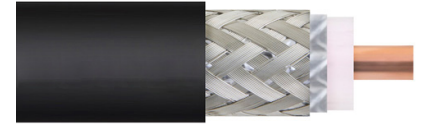
SIZE A

2233



PASTERNAK®
 Pasternack Enterprises, Inc.
 P.O. Box 16759 | Irvine | CA | 92623
Phone: (949) 261-1920 | **Fax:** (949) 261-7451
Website: www.pasternack.com | **E-Mail:** sales@pasternack.com

Low Loss Flexible LMR-500-DB Outdoor/Watertight Rated Coax Cable Double Shielded with Black PE Jacket



LMR-500-DB



Times Microwave Systems Connector Specification

Configuration

- Low Loss, Outdoor/Watertight Flexible Cable
- 2 Shield(s)

Features

- Easily Routed
- Low Loss Cable
- RF Shielding > 90dB
- Designed for Outdoor Use
- Watertight

Applications

- Jumper Assemblies
- Short Antenna Feeder Runs
- Wireless Communications

Description

LMR-500-DB part number from Pasternack is a LMR-500-DB coax cable that is flexible. Pasternack LMR-500-DB flexible coax cable is 50 Ohm and has a PE (F) dielectric. Our LMR-500-DB coax is constructed with a 0.5 jacket made of PE. LMR-500-DB coax has a shield count of 2, a RF shielding of 90 dB and the maximum frequency for this Pasternack cable is 8 GHz. LMR-500-DB coax cable has an attenuation at 1 GHz of 3.1 dB.

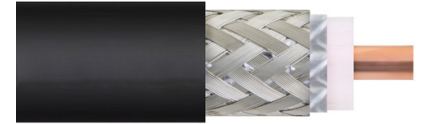
Electrical Specifications

Description	Minimum	Typical	Maximum	Units
Frequency Range	DC		8	GHz
Impedance		50		Ohms
Velocity of Propagation		86		%
Time Delay		1.18 [3.87]		ns/ft [ns/m]
Shielding Effectiveness	90			dB
Dielectric Withstanding Voltage (DC)			3,000	Vdc
Jacket Spark			8,000	Vrms
Inner Conductor DC Resistance			0.82	Ohms/1000ft
Outer Conductor DC Resistance			1.27	Ohms/1000ft
Nominal Capacitance		23.6 [77.43]		pF/ft [pF/m]
Nominal Inductance		0.059 [0.19]		uH/ft [uH/m]
Input Power (Peak)			22	kWatts

Performance by Frequency Band

Description	F1	F2	F3	F4	F5	Units
Frequency	50	150	220	450	900	MHz

Low Loss Flexible LMR-500-DB Outdoor/Watertight Rated
Coax Cable Double Shielded with Black PE Jacket



LMR-500-DB

Performance by Frequency Band

Description	F1	F2	F3	F4	F5	Units
Attenuation, Typ	0.7	1.2	1.5	2.2	3.1	dB/100ft
	2.3	3.94	4.92	7.22	10.17	dB/100m
Input Power (CW), Max	3,393	1,931	1,583	1,088	752	Watts

Description	F6	F7	F8	F9	F10	Units
Frequency	1.5	1.8	2	2.5	5.8	GHz
Attenuation, Typ	4.1	4.6	4.8	5.5	8.9	dB/100ft
	13.45	15.09	15.75	18.04	29.2	dB/100m
Input Power (CW), Max	569	515	485	428	264	Watts

Electrical Specification Notes:
Values at 25°C, sea level.
Attenuation = 0.096590*sqrt(FMHz) + 0.000260

Mechanical Specifications

Diameter	0.5 in [12.7 mm]
Weight	0.102 lbs/ft [0.15 kg/m]
Min. Bend Radius (Installation)	1.25 in [31.75 mm]
Min. Bend Radius (Repeated)	5 in [127 mm]
Bending Moment	1.75 lbs-ft [2.37 N-m]
Tensile Strength	260 lbs [117.93 kg]
Flat Plate Crush	50 lbs/in [0.89 kg/mm]

Construction Specifications

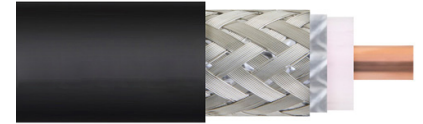
Description	Material and Plating	Diameter
Inner Conductor	Copper Clad Aluminum, 1 Strand	0.142 in [3.61 mm]
Conductor Type	Solid	
Dielectric	PE (F)	0.37 in [9.4 mm]
First Shield	Aluminum Tape	0.376 in [9.55 mm]
Second Shield	Tinned Copper	0.405 in [10.29 mm]
Jacket	PE, Black	0.5 in [12.7 mm]

Environmental Specifications

Temperature	
Operating Range	-40 to 85 deg C
Installation Range	-40 to 85 deg C
Storage Range	-70 to 85 deg C

Environmental Specification Notes:
Outdoor/Watertight

Low Loss Flexible LMR-500-DB Outdoor/Watertight Rated Coax Cable Double Shielded with Black PE Jacket



LMR-500-DB

Compliance Certifications (see [product page](#) for current document)

Plotted and Other Data

Notes:

Low Loss Flexible LMR-500-DB Outdoor/Watertight Rated Coax Cable Double Shielded with Black PE Jacket from Pasternack Enterprises has same day shipment for domestic and International orders. Our RF, microwave and millimeter wave products maintain a 99.4% availability and are part of the broadest selection in the industry.

Click the following link (or enter part number in "SEARCH" on website) to obtain additional part information including price, inventory and certifications: [Low Loss Flexible LMR-500-DB Outdoor/Watertight Rated Coax Cable Double Shielded with Black PE Jacket LMR-500-DB](#)

URL: <https://www.pasternack.com/50-ohm-low-loss-lmr-500-db-pe-jacket-doubleshieldedblack-lmr-500-db-p.aspx>

The information contained within this document is accurate to the best of our knowledge and representative of the part described herein. It may be necessary to make modifications to the part and/or the documentation of the part in order to implement improvements. Pasternack Enterprises reserves the right to make such changes as required. Unless otherwise stated, all specifications are nominal. Pasternack Enterprises does not make any representation or warranty regarding the suitability of the part described herein for any particular purpose, and Pasternack Enterprises does not assume liability arising out of the use of any part or document.

LMR-500-DB CAD Drawing

Low Loss Flexible LMR-500-DB Outdoor/Watertight Rated Coax Cable Double Shielded with Black PE Jacket

