



QN Male to Reverse Polarity SMA Female Bulkhead Cable 24 Inch Length Using LMR-195 Coax with HeatShrink

RF Cable Assemblies Technical Data Sheet

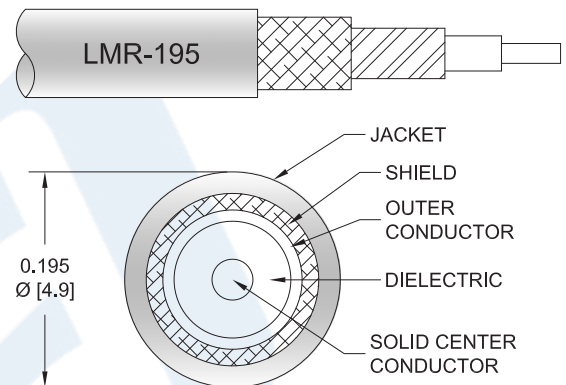
PE3W06854-SP1-24

Configuration

- Connector 1: QN Male
- Connector 2: SMA Female Reverse Polarity Bulkhead
- Cable Type: LMR-195

Features

- Max Frequency 4 GHz
- Shielding Effectivity > 90 dB
- 80% Phase Velocity
- Double Shielded
- PE Jacket



Applications

- General Purpose
- Laboratory Use

Description

Pasternack's PE3W06854-SP1-24 QN male to reverse polarity SMA female bulkhead 24 inch cable using LMR-195 coax is part of our full line of RF components available for same-day shipping. Pasternack's flexible RF cable assemblies are ideal for applications where tight bends and flexure are required. This Pasternack QN to reverse polarity SMA cable assembly has a male to female gender configuration with 50 ohm flexible LMR-195 coax. The PE3W06854-SP1-24 QN male to reverse polarity SMA female cable assembly operates to 4 GHz. Our RF cable assembly with SMA bulkhead interface allows designers to create external connections on their product enclosures, and can be used in a variety of other rack mount and panel mount applications. The double shielding of this Pasternack cable assembly provides excellent shielding effectiveness of better than 90 dB.

Custom versions of most RF cable assemblies can be built and shipped same day. Custom cable assembly lengths can be obtained by specifying the desired length on the web site at time of order or by contacting a sales representative. Other available RF cable assembly value added services include connector orientation or clocking, heat shrink booting and custom labeling. RF testing can also be performed to document the electrical performance of your cable assembly.

Click the following link (or enter part number in "SEARCH" on website) to obtain additional part information including price, inventory and certifications: [QN Male to Reverse Polarity SMA Female Bulkhead Cable 24 Inch Length Using LMR-195 Coax with HeatShrink PE3W06854-SP1-24](#)



QN Male to Reverse Polarity SMA Female Bulkhead Cable
24 Inch Length Using LMR-195 Coax with HeatShrink

RF Cable Assemblies Technical Data Sheet

PE3W06854-SP1-24

Electrical Specifications

Description	Minimum	Typical	Maximum	Units
Frequency Range	DC		4	GHz
VSWR			1.5:1	
Velocity of Propagation		80		%
RF Shielding	90			dB
Group Delay		1.27 [4.17]		ns/ft [ns/m]
Capacitance		25.4 [83.33]		pF/ft [pF/m]
Inductance		0.064 [0.21]		uH/ft [uH/m]
DC Resistance Inner Conductor Km]		7.6 [24.93]		Ohms/1000ft [Ohms/ Km]
DC Resistance Outer Conductor Km]		4.9 [16.08]		Ohms/1000ft [Ohms/ Km]
Jacket Spark			3,000	Vrms

Specifications by Frequency

Description	F1	F2	F3	F4	F5	Units
Frequency	0.25	0.5	1	2.5	4	GHz
Insertion Loss (Max.)	0.32	0.37	0.43	0.58	0.68	dB

Electrical Specification Notes:

The Insertion Loss data above is based on the performance specifications of the coax use in this assembly. The Insertion Loss includes an estimated insertion loss of 0.2dB of connector Loss

Mechanical Specifications

Cable Assembly

Length* 24 in [609.6 mm]

Cable

Cable Type LMR-195
 Impedance 50 Ohms
 Inner Conductor Type Solid
 Inner Conductor Material and Plating Copper
 Dielectric Type PE (F)
 Number of Shields 2
 Shield Layer 1 Aluminum Tape
 Shield Layer 2 Tinned Copper Braid

Click the following link (or enter part number in "SEARCH" on website) to obtain additional part information including price, inventory and certifications: [QN Male to Reverse Polarity SMA Female Bulkhead Cable 24 Inch Length Using LMR-195 Coax with HeatShrink PE3W06854-SP1-24](#)



QN Male to Reverse Polarity SMA Female Bulkhead Cable
24 Inch Length Using LMR-195 Coax with HeatShrink

RF Cable Assemblies Technical Data Sheet

PE3W06854-SP1-24

Jacket Material	PE, Black
Jacket Diameter	0.195 in [4.95 mm]
One Time Minimum Bend Radius	0.5 in [12.7 mm]
Repeated Minimum Bend Radius	2 in [50.8 mm]
Bending Moment	0.2 lbs-ft [0.27 N-m]
Flat Plate Crush	15 lbs/in [0.27 Kg/mm]
Tensile Strength	40 lbs [18.14 Kg]

Connectors

Description	Connector 1	Connector 2
Type	QN Male	SMA Female Reverse Polarity Bulkhead
Impedance	50 Ohms	50 Ohms
Mating Cycles	100	
Contact Material and Plating	Brass, Silver	
Dielectric Type	PTFE	
Outer Conductor Material and Plating	Beryllium Copper	
Body Material and Plating	Brass, Silver	Brass, Nickel
Coupling Nut Material and Plating	Brass, Silver	

Mechanical Specification Notes:

*All cable assemblies have a length tolerance of 1.5% or $\pm 3/8$ ", whichever is greater.

Compliance Certifications (see [product page](#) for current document)

Plotted and Other Data

Notes:

Click the following link (or enter part number in "SEARCH" on website) to obtain additional part information including price, inventory and certifications: [QN Male to Reverse Polarity SMA Female Bulkhead Cable 24 Inch Length Using LMR-195 Coax with HeatShrink PE3W06854-SP1-24](#)



QN Male to Reverse Polarity SMA Female Bulkhead Cable 24 Inch Length Using LMR-195 Coax with HeatShrink

RF Cable Assemblies Technical Data Sheet

PE3W06854-SP1-24

How to Order

Part Number Configuration:

PE3W06854

- **xx**

uu

Unit of Measure:

cm = Centimeters

<blank> = Inches

Length

Base Number

Example: PE3W06854-12 = 12 inches long cable
PE3W06854-100cm = 100 cm long cable

QN Male to Reverse Polarity SMA Female Bulkhead Cable 24 Inch Length Using LMR-195 Coax with HeatShrink from Pasternack Enterprises has same day shipment for domestic and International orders. Our RF, microwave and millimeter wave products maintain a 99.4% availability and are part of the broadest selection in the industry.

Click the following link (or enter part number in "SEARCH" on website) to obtain additional part information including price, inventory and certifications: [QN Male to Reverse Polarity SMA Female Bulkhead Cable 24 Inch Length Using LMR-195 Coax with HeatShrink PE3W06854-SP1-24](#)

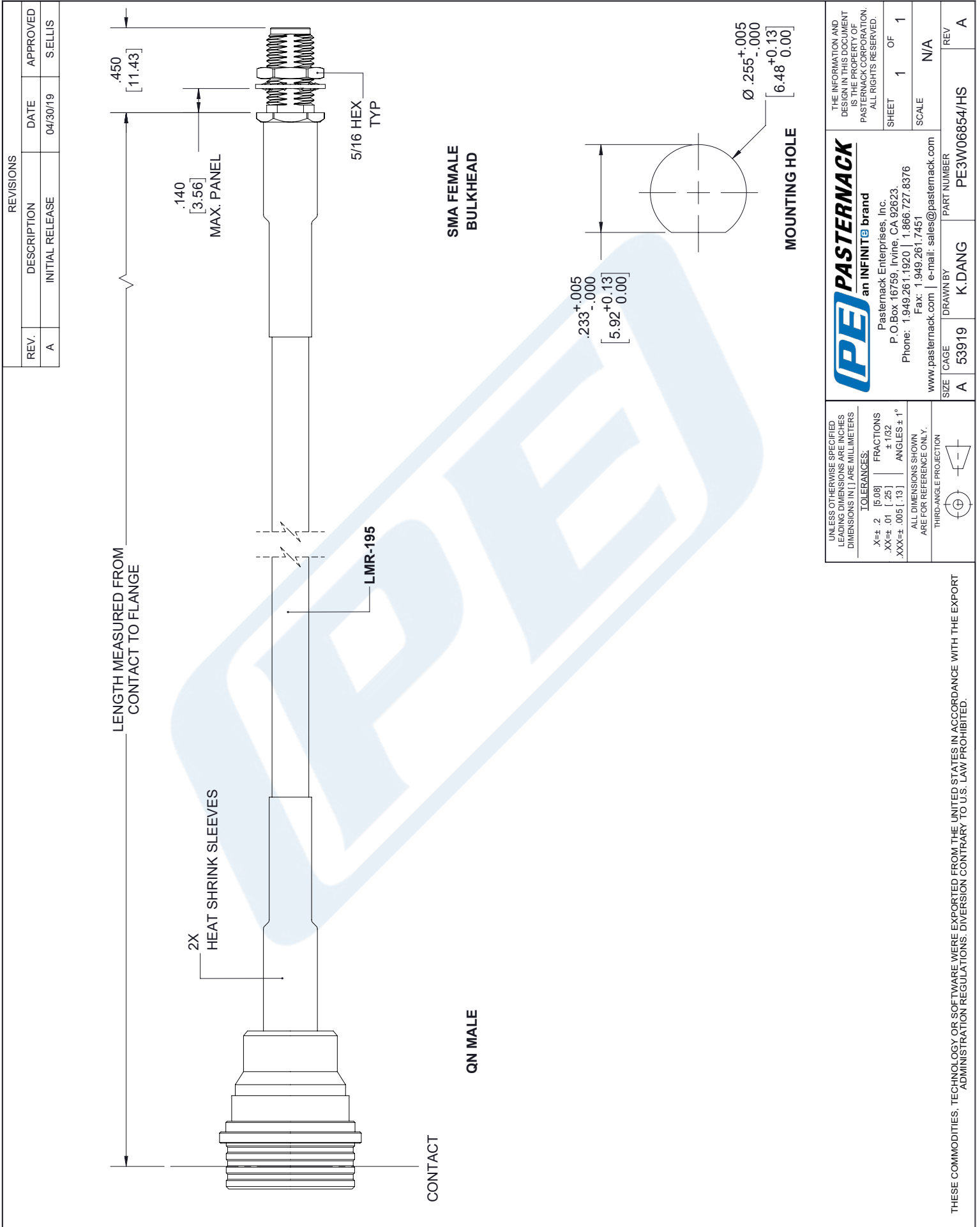
URL: <https://www.pasternack.com/qn-male-sma-female-lmr195-cable-assembly-pe3w06854-sp1-24-p.aspx>

The information contained in this document is accurate to the best of our knowledge and representative of the part described herein. It may be necessary to make modifications to the part and/or the documentation of the part, in order to implement improvements. Pasternack reserves the right to make such changes as required. Unless otherwise stated, all specifications are nominal. Pasternack does not make any representation or warranty regarding the suitability of the part described herein for any particular purpose, and Pasternack does not assume any liability arising out of the use of any part or documentation.

PE3W06854-SP1-24 CAD Drawing

QN Male to Reverse Polarity SMA Female Bulkhead Cable

24 Inch Length Using LMR-195 Coax with HeatShrink



REVISIONS			
REV.	DESCRIPTION	DATE	APPROVED
A	INITIAL RELEASE	04/30/19	S. ELLIS

<p>UNLESS OTHERWISE SPECIFIED LEADING DIMENSIONS ARE INCHES DIMENSIONS IN [] ARE MILLIMETERS</p> <p>TOLERANCES:</p> <table border="0"> <tr> <td>X±.2</td> <td>[5.08]</td> <td>FRACTIONS</td> </tr> <tr> <td>.XX±.01</td> <td>[.25]</td> <td>±.132</td> </tr> <tr> <td>.XXX±.005</td> <td>[.13]</td> <td>ANGLES ± 1°</td> </tr> </table> <p>ALL DIMENSIONS SHOWN ARE FOR REFERENCE ONLY.</p> <p>THIRD-ANGLE PROJECTION</p>		X±.2	[5.08]	FRACTIONS	.XX±.01	[.25]	±.132	.XXX±.005	[.13]	ANGLES ± 1°	<p>THE INFORMATION AND DESIGN IN THIS DOCUMENT IS THE PROPERTY OF PASTERNAK CORPORATION. ALL RIGHTS RESERVED.</p> <p>SHEET 1 OF 1</p> <p>SCALE N/A</p>	
X±.2	[5.08]	FRACTIONS										
.XX±.01	[.25]	±.132										
.XXX±.005	[.13]	ANGLES ± 1°										
<p>PE PASTERNAK an INFINITO brand</p> <p>Pasternack Enterprises, Inc. P.O. Box 16759, Irvine, CA 92623. Phone: 1.949.261.1920 1.866.727.8376 Fax: 1.949.261.7451 www.pasternack.com e-mail: sales@pasternack.com</p>		<p>REV A</p> <p>PART NUMBER PE3W06854/HS</p>										
<p>SIZE A</p> <p>CAGE DRAWN BY K.DANG</p> <p>53919</p>	<p>SCALE N/A</p>	<p>REV A</p>	<p>REV A</p>									

THESE COMMODITIES, TECHNOLOGY OR SOFTWARE WERE EXPORTED FROM THE UNITED STATES IN ACCORDANCE WITH THE EXPORT ADMINISTRATION REGULATIONS. DIVERSION CONTRARY TO U.S. LAW PROHIBITED.