

Fire Rated SMA Male to Reverse Polarity SMA Plug Right Angle Low Loss Cable Using LMR-195-FR Coax



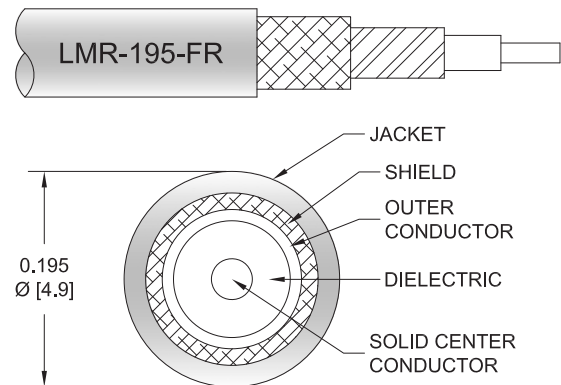
PE3W07766

Configuration

- Connector 1: SMA Male
- Connector 2: SMA Plug Reverse Polarity Right Angle
- Cable Type: LMR-195-FR
- Coax Flex Type: Flexible

Features

- Shielding Effectivity > 90 dB
- 76% Phase Velocity
- Double Shielded
- FRPE Jacket



Applications

- General Purpose
- Laboratory Use

Description

Pasternack's PE3W07766 SMA male to reverse polarity SMA plug right angle cable using LMR-195-FR coax is part of our full line of RF components available for same-day shipping. Pasternack's flexible RF cable assemblies are ideal for applications where tight bends and flexure are required. This Pasternack SMA to reverse polarity SMA cable assembly has a male to plug gender configuration with 50 ohm flexible LMR-195-FR coax. The right angle SMA interface on the LMR-195-FR cable allows for easier connections in tight spaces. The double shielding of this Pasternack cable assembly provides excellent shielding effectiveness of better than 90 dB.

Custom versions of most RF cable assemblies can be built and shipped same day. Custom cable assembly lengths can be obtained by specifying the desired length on the web site at time of order or by contacting a sales representative. Other available RF cable assembly value added services include connector orientation or clocking, heat shrink booting and custom labeling. RF testing can also be performed to document the electrical performance of your cable assembly.

Electrical Specifications

Description	Minimum	Typical	Maximum	Units
Velocity of Propagation		76		%
RF Shielding	90			dB
Group Delay		1.27 [4.17]		ns/ft [ns/m]
Capacitance		25.4 [83.33]		pF/ft [pF/m]
Inductance		0.064 [0.21]		uH/ft [uH/m]
DC Resistance Inner Conductor		7.6 [24.93]		Ohms/1000ft [Ohms/Km]
DC Resistance Outer Conductor		4.9 [16.08]		Ohms/1000ft [Ohms/Km]

Fire Rated SMA Male to Reverse Polarity SMA Plug
Right Angle Low Loss Cable Using LMR-195-FR Coax



PE3W07766

Electrical Specifications

Description	Minimum	Typical	Maximum	Units
Jacket Spark			3,000	Vrms

Mechanical Specifications

Cable Assembly

Width/Diameter	0.5 in [12.7 mm]
Weight	0.057 lbs [25.85 g]

Cable

Cable Type	LMR-195-FR
Impedance	50 Ohms
Inner Conductor Type	Solid
Inner Conductor Material and Plating	Copper
Dielectric Type	PE
Number of Shields	2
Shield Layer 1	Aluminum Tape
Shield Layer 2	Tinned Copper Braid
Jacket Material	FRPE, Black
Jacket Diameter	0.195 in [4.95 mm]
One Time Minimum Bend Radius	0.5 in [12.7 mm]
Repeated Minimum Bend Radius	2 in [50.8 mm]
Bending Moment	0.2 lbs-ft [0.27 N-m]
Flat Plate Crush	15 lbs/in [0.27 Kg/mm]
Tensile Strength	40 lbs [18.14 Kg]

Connectors

Description	Connector 1	Connector 2
Type	SMA Male	SMA Plug Reverse Polarity Right Angle
Specification	MIL-STD-348A	
Impedance	50 Ohms	50 Ohms
Configuration	Straight	Right Angle
Contact Material and Plating	Brass, Gold	Beryllium Copper, Gold
Contact Plating Specification	50 µin minimum	
Dielectric Type	PTFE	PTFE
Body Material and Plating	Brass, Nickel	Brass, Nickel
Body Plating Specification	100 µin minimum	
Coupling Nut Material and Plating	Brass, Nickel	Brass, Nickel
Coupling Nut Plating Specification	100 µin minimum	
Hex Size	5/16 inch	5/16 in
Torque	3 in-lbs 0.34 Nm	5 in-lbs 0.57 Nm

Fire Rated SMA Male to Reverse Polarity SMA Plug
Right Angle Low Loss Cable Using LMR-195-FR Coax



PE3W07766

Environmental Specifications

Compliance Certifications (see [product page](#) for current document)

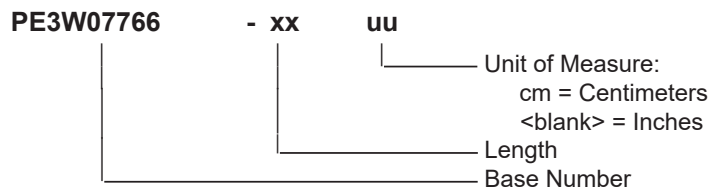
Plotted and Other Data

Notes:

Typical Performance Data

How to Order

Part Number Configuration:



Example: PE3W07766-12 = 12 inches long cable
PE3W07766-100cm = 100 cm long cable

Fire Rated SMA Male to Reverse Polarity SMA Plug Right Angle Low Loss Cable Using LMR-195-FR Coax from Pasternack Enterprises has same day shipment for domestic and International orders. Our RF, microwave and millimeter wave products maintain a 99.4% availability and are part of the broadest selection in the industry.

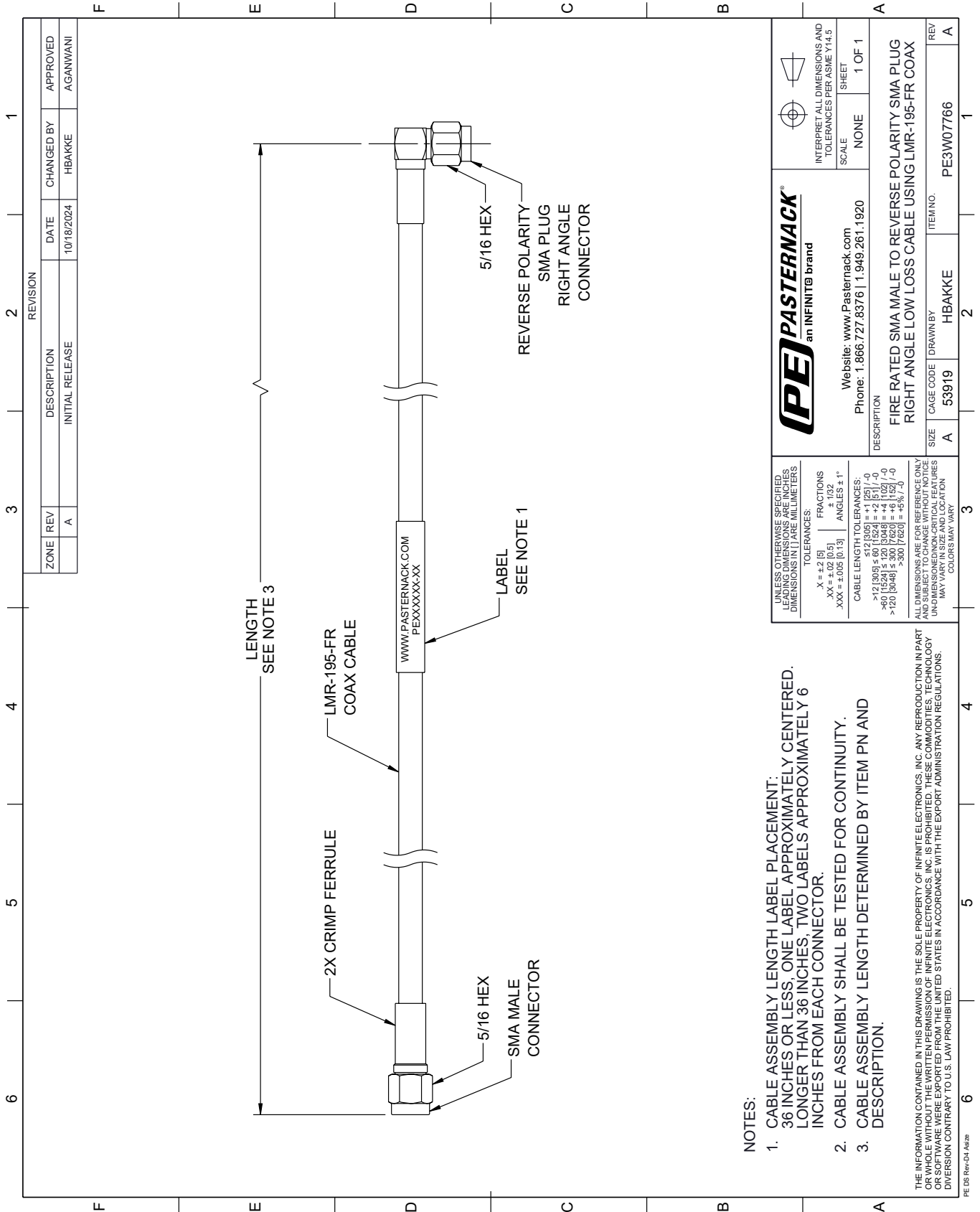
Click the following link (or enter part number in "SEARCH" on website) to obtain additional part information including price, inventory and certifications: [Fire Rated SMA Male to Reverse Polarity SMA Plug Right Angle Low Loss Cable Using LMR-195-FR Coax PE3W07766](#)

URL: <https://www.pasternack.com/fire-rated-sma-male-to-reverse-polarity-sma-plug-low-loss-cable-using-lmr-195-fr-pe3w07766-p.aspx>

The information contained within this document is accurate to the best of our knowledge and representative of the part described herein. It may be necessary to make modifications to the part and/or the documentation of the part in order to implement improvements. Pasternack Enterprises reserves the right to make such changes as required. Unless otherwise stated, all specifications are nominal. Pasternack Enterprises does not make any representation or warranty regarding the suitability of the part described herein for any particular purpose, and Pasternack Enterprises does not assume liability arising out of the use of any part or document.

PE3W07766 CAD Drawing

Fire Rated SMA Male to Reverse Polarity SMA Plug Right Angle Low Loss Cable Using LMR-195-FR Coax



NOTES:

1. CABLE ASSEMBLY LENGTH LABEL PLACEMENT: 36 INCHES OR LESS, ONE LABEL APPROXIMATELY CENTERED. LONGER THAN 36 INCHES, TWO LABELS APPROXIMATELY 6 INCHES FROM EACH CONNECTOR.
2. CABLE ASSEMBLY SHALL BE TESTED FOR CONTINUITY.
3. CABLE ASSEMBLY LENGTH DETERMINED BY ITEM PN AND DESCRIPTION.

THE INFORMATION CONTAINED IN THIS DRAWING IS THE SOLE PROPERTY OF INFINITE ELECTRONICS, INC. ANY REPRODUCTION IN PART OR WHOLE WITHOUT THE WRITTEN PERMISSION OF INFINITE ELECTRONICS, INC. IS PROHIBITED. THESE COMMODITIES, TECHNOLOGY OR SERVICE WERE EXPORTED FROM THE UNITED STATES IN ACCORDANCE WITH THE EXPORT ADMINISTRATION REGULATIONS. DIVERSION CONTRARY TO U.S. LAW PROHIBITED.

UNLESS OTHERWISE SPECIFIED, LEADING DIMENSIONS ARE IN INCHES AND OTHER DIMENSIONS ARE IN MILLIMETERS

TOLERANCES:
 .X = +.2 (5) ±.132
 .XX = ±.02 (0.5)
 .XXX = ±.005 (0.13) ANGLES ± 1°

CABLE LENGTH TOLERANCES:
 >12 (305) ≤ 60 (1524) = +.2 (5) / -0
 >60 (1524) ≤ 120 (3048) = +.4 (102) / -0
 >120 (3048) ≤ 300 (7620) = +.6 (15) / -0

ALL DIMENSIONS ARE FOR REFERENCE ONLY. UNDIMENSIONED NON-CRITICAL FEATURES MAY VARY IN SIZE AND LOCATION. COLORS MAY VARY.

		INTERPRET ALL DIMENSIONS AND TOLERANCES PER ASME Y14.5	
		SCALE	NONE
Website: www.Pasternack.com Phone: 1.866.727.8376 1.949.261.1920		SHEET	1 OF 1
DESCRIPTION FIRE RATED SMA MALE TO REVERSE POLARITY SMA PLUG RIGHT ANGLE LOW LOSS CABLE USING LMR-195-FR COAX			
SIZE	A	CAGE CODE	53919
DRAWN BY	HBAKKE	ITEM NO.	PE3W07766
REV	A		