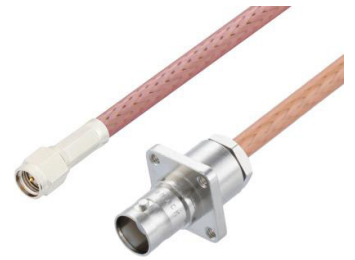


BNC Female 4 Hole Flange to SMA Male Cable Using RG142 Coax



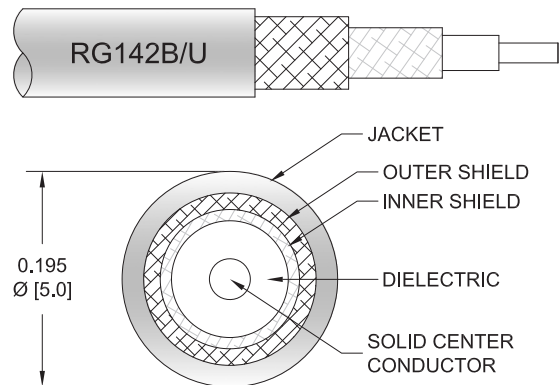
PE3W08986

Configuration

- Connector 1: BNC Female 4 Hole Flange
- Connector 2: SMA Male
- Cable Type: RG142
- Coax Flex Type: Flexible

Features

- 70% Phase Velocity
- Double Shielded
- FEP Jacket



Applications

- General Purpose
- Laboratory Use

Description

Pasternack's PE3W08986 BNC female 4 hole flange to SMA male cable using RG142 coax is part of our full line of RF components available for same-day shipping. Pasternack's flexible RF cable assemblies are ideal for applications where tight bends and flexure are required. This Pasternack BNC to SMA cable assembly has a female to male gender configuration with 50 ohm flexible RG142 coax. Our RF cable assembly with BNC 4 hole flange interface allows designers to create external connections on their product enclosures, and can be used in a variety of other rack mount and panel mount applications. The double shielding of this Pasternack cable assembly provides excellent shielding effectiveness.

Custom versions of most RF cable assemblies can be built and shipped same day. Custom cable assembly lengths can be obtained by specifying the desired length on the web site at time of order or by contacting a sales representative. Other available RF cable assembly value added services include connector orientation or clocking, heat shrink booting and custom labeling. RF testing can also be performed to document the electrical performance of your cable assembly.

Electrical Specifications

| Description | Minimum | Typical | Maximum | Units |
|-------------------------|---------|--------------|---------|--------------|
| Velocity of Propagation | | 70 | | % |
| Capacitance | | 29.4 [96.46] | | pF/ft [pF/m] |

Mechanical Specifications

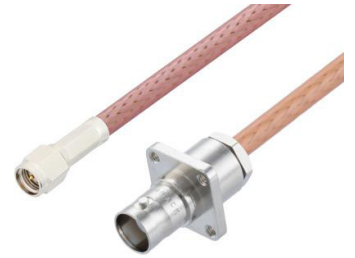
Cable Assembly

| | |
|----------------|---------------------|
| Width/Diameter | 0.5 in [12.7 mm] |
| Weight | 0.096 lbs [43.54 g] |

Cable

| | |
|----------------------|---------|
| Cable Type | RG142 |
| Impedance | 50 Ohms |
| Inner Conductor Type | Solid |

BNC Female 4 Hole Flange to SMA Male Cable Using RG142 Coax



PE3W08986

| | |
|--------------------------------------|----------------------------|
| Inner Conductor Material and Plating | Copper Clad Steel, Silver |
| Dielectric Type | PTFE |
| Number of Shields | 2 |
| Shield Layer 1 | Silver Plated Copper Braid |
| Shield Layer 2 | Silver Plated Copper Braid |
| Jacket Material | FEP, Tan |
| Jacket Diameter | 0.195 in [4.95 mm] |
| Repeated Minimum Bend Radius | 1 in [25.4 mm] |

Connectors

| Description | Connector 1 | Connector 2 |
|------------------------------------|--------------------------|------------------|
| Type | BNC Female 4 Hole Flange | SMA Male |
| Specification | | MIL-STD-348A |
| Impedance | 50 Ohms | 50 Ohms |
| Configuration | Straight | Straight |
| Contact Material and Plating | Brass, Gold | Brass, Gold |
| Contact Plating Specification | | 50 µin minimum |
| Dielectric Type | PTFE | PTFE |
| Body Material and Plating | Brass, Nickel | Brass, Nickel |
| Body Plating Specification | | 100 µin minimum |
| Coupling Nut Material and Plating | | Brass, Nickel |
| Coupling Nut Plating Specification | | 100 µin minimum |
| Hex Size | | 5/16 inch |
| Torque | | 5 in-lbs 0.57 Nm |

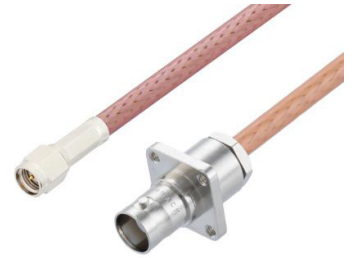
Environmental Specifications

Compliance Certifications (see [product page](#) for current document)

Plotted and Other Data

Notes:

BNC Female 4 Hole Flange to SMA Male Cable Using RG142 Coax



PE3W08986

Typical Performance Data

How to Order

Part Number Configuration:

PE3W08986

- xx

uu

Unit of Measure:
cm = Centimeters
<blank> = Inches
Length
Base Number

Example: PE3W08986-12 = 12 inches long cable
PE3W08986-100cm = 100 cm long cable

BNC Female 4 Hole Flange to SMA Male Cable Using RG142 Coax from Pasternack Enterprises has same day shipment for domestic and International orders. Our RF, microwave and millimeter wave products maintain a 99.4% availability and are part of the broadest selection in the industry.

Click the following link (or enter part number in "SEARCH" on website) to obtain additional part information including price, inventory and certifications: [BNC Female 4 Hole Flange to SMA Male Cable Using RG142 Coax PE3W08986](#)

URL: <https://www.pasternack.com/bnc-female-4-hole-flange-to-sma-male-cable-using-rg142-pe3w08986-p.aspx>

The information contained within this document is accurate to the best of our knowledge and representative of the part described herein. It may be necessary to make modifications to the part and/or the documentation of the part in order to implement improvements. Pasternack Enterprises reserves the right to make such changes as required. Unless otherwise stated, all specifications are nominal. Pasternack Enterprises does not make any representation or warranty regarding the suitability of the part described herein for any particular purpose, and Pasternack Enterprises does not assume liability arising out of the use of any part or document.

PE3W08986 CAD Drawing

BNC Female 4 Hole Flange to SMA Male Cable Using RG142 Coax

