

SMA Male to TNC Female Bulkhead Low Loss Cable Using LMR-195 Coax



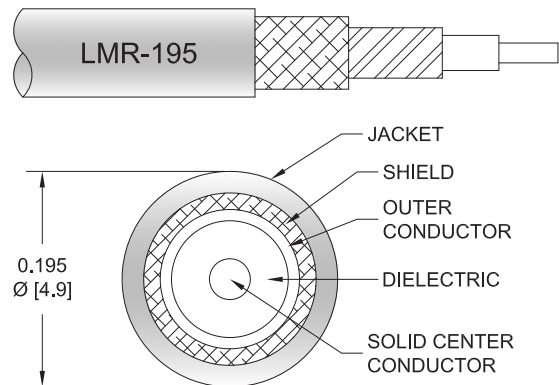
PE3W09288

Configuration

- Connector 1: SMA Male
- Connector 2: TNC Female Bulkhead
- Cable Type: LMR-195
- Coax Flex Type: Flexible

Features

- Max Frequency 4 GHz
- Shielding Effectivity > 90 dB
- 80% Phase Velocity
- Double Shielded
- PE Jacket



Applications

- General Purpose
- Laboratory Use

Description

Pasternack's PE3W09288 SMA male to TNC female bulkhead cable using LMR-195 coax is part of our full line of RF components available for same-day shipping. Pasternack's flexible RF cable assemblies are ideal for applications where tight bends and flexure are required. This Pasternack SMA to TNC cable assembly has a male to female gender configuration with 50 ohm flexible LMR-195 coax. The PE3W09288 SMA male to TNC female cable assembly operates to 4 GHz. Our RF cable assembly with TNC bulkhead interface allows designers to create external connections on their product enclosures, and can be used in a variety of other rack mount and panel mount applications. The double shielding of this Pasternack cable assembly provides excellent shielding effectiveness of better than 90 dB.

Custom versions of most RF cable assemblies can be built and shipped same day. Custom cable assembly lengths can be obtained by specifying the desired length on the web site at time of order or by contacting a sales representative. Other available RF cable assembly value added services include connector orientation or clocking, heat shrink booting and custom labeling. RF testing can also be performed to document the electrical performance of your cable assembly.

Electrical Specifications

Description	Minimum	Typical	Maximum	Units
Frequency Range	DC		4	GHz
VSWR			1.4:1	
Velocity of Propagation		80		%
RF Shielding	90			dB
Group Delay		1.27 [4.17]		ns/ft [ns/m]
Capacitance		25.4 [83.33]		pF/ft [pF/m]
Inductance		0.064 [0.21]		uH/ft [uH/m]
DC Resistance Inner Conductor		7.6 [24.93]		Ohms/1000ft [Ohms/Km]
DC Resistance Outer Conductor		4.9 [16.08]		Ohms/1000ft [Ohms/Km]

SMA Male to TNC Female Bulkhead Low Loss Cable Using LMR-195 Coax



PE3W09288

Electrical Specifications

Description	Minimum	Typical	Maximum	Units
Jacket Spark			3,000	Vrms

Specifications by Frequency

Part Number	Length	Description	F1	F2	F3	F4	F5	Units	Weight (lbs)
			Frequency					MHz	
PE3W09288	Custom Lengths Available	Insertion Loss (Typ.)	0.034	0.057	0.081	0.116	0.236	dB/ft	
			0.12	0.19	0.27	0.39	0.78	dB/m	
PE3W09288-12	12 In	Insertion Loss (Typ.)	0.24	0.26	0.29	0.32	0.44	dB	0.066
PE3W09288-24	24 In	Insertion Loss (Typ.)	0.27	0.32	0.37	0.44	0.68	dB	0.089
PE3W09288-36	36 In	Insertion Loss (Typ.)	0.31	0.38	0.45	0.55	0.91	dB	0.111
PE3W09288-48	48 In	Insertion Loss (Typ.)	0.34	0.43	0.53	0.67	1.15	dB	0.133
PE3W09288-60	60 In	Insertion Loss (Typ.)	0.37	0.49	0.61	0.78	1.38	dB	0.155

The insertion loss data for the base model does not include loss due to the connectors. Each length includes insertion loss due to the connectors.

Loss due to Connector 1:	0.1 dB
Loss due to Connector 2:	0.1 dB
Base Weight:	0.066 pounds
Additional Weight per Inch:	0.00184 pounds

Mechanical Specifications

Cable Assembly

Width/Diameter	0.5 in [12.7 mm]
Weight	0.066 lbs [29.94 g]

Cable

Cable Type	LMR-195
Impedance	50 Ohms
Inner Conductor Type	Solid
Inner Conductor Material and Plating	Copper
Dielectric Type	PE (F)
Number of Shields	2
Shield Layer 1	Aluminum Tape
Shield Layer 2	Tinned Copper Braid
Jacket Material	PE, Black
Jacket Diameter	0.195 in [4.95 mm]
One Time Minimum Bend Radius	0.5 in [12.7 mm]
Repeated Minimum Bend Radius	2 in [50.8 mm]
Bending Moment	0.2 lbs-ft [0.27 N-m]
Flat Plate Crush	15 lbs/in [0.27 Kg/mm]
Tensile Strength	40 lbs [18.14 Kg]

SMA Male to TNC Female Bulkhead Low Loss Cable Using LMR-195 Coax



PE3W09288

Connectors

Description	Connector 1	Connector 2
Type	SMA Male	TNC Female Bulkhead
Specification	MIL-STD-348	MIL-STD-348A
Impedance	50 Ohms	50 Ohms
Configuration	Straight	Straight
Contact Material and Plating	Brass, Gold	Brass, Gold
Contact Plating Specification	MIL-G-45204	30 µin minimum
Dielectric Type	PTFE	PTFE
Body Material and Plating	Brass, Nickel	Brass, Nickel
Body Plating Specification	QQ-N-290	100 µin minimum
Coupling Nut Material and Plating	Brass, Nickel	
Coupling Nut Plating Specification	QQ-N-290	
Hex Size	5/16 inch	
Torque	3 in-lbs 0.34 Nm	

Environmental Specifications

Operating Range Temperature -40 to +85 deg C

Compliance Certifications (see [product page](#) for current document)

Plotted and Other Data

Notes:

SMA Male to TNC Female Bulkhead Low Loss Cable Using LMR-195 Coax



PE3W09288

Typical Performance Data

How to Order

Part Number Configuration:

PE3W09288

- **xx**

uu

Unit of Measure:
cm = Centimeters
<blank> = Inches
Length
Base Number

Example: PE3W09288-12 = 12 inches long cable
PE3W09288-100cm = 100 cm long cable

SMA Male to TNC Female Bulkhead Low Loss Cable Using LMR-195 Coax from Pasternack Enterprises has same day shipment for domestic and International orders. Our RF, microwave and millimeter wave products maintain a 99.4% availability and are part of the broadest selection in the industry.

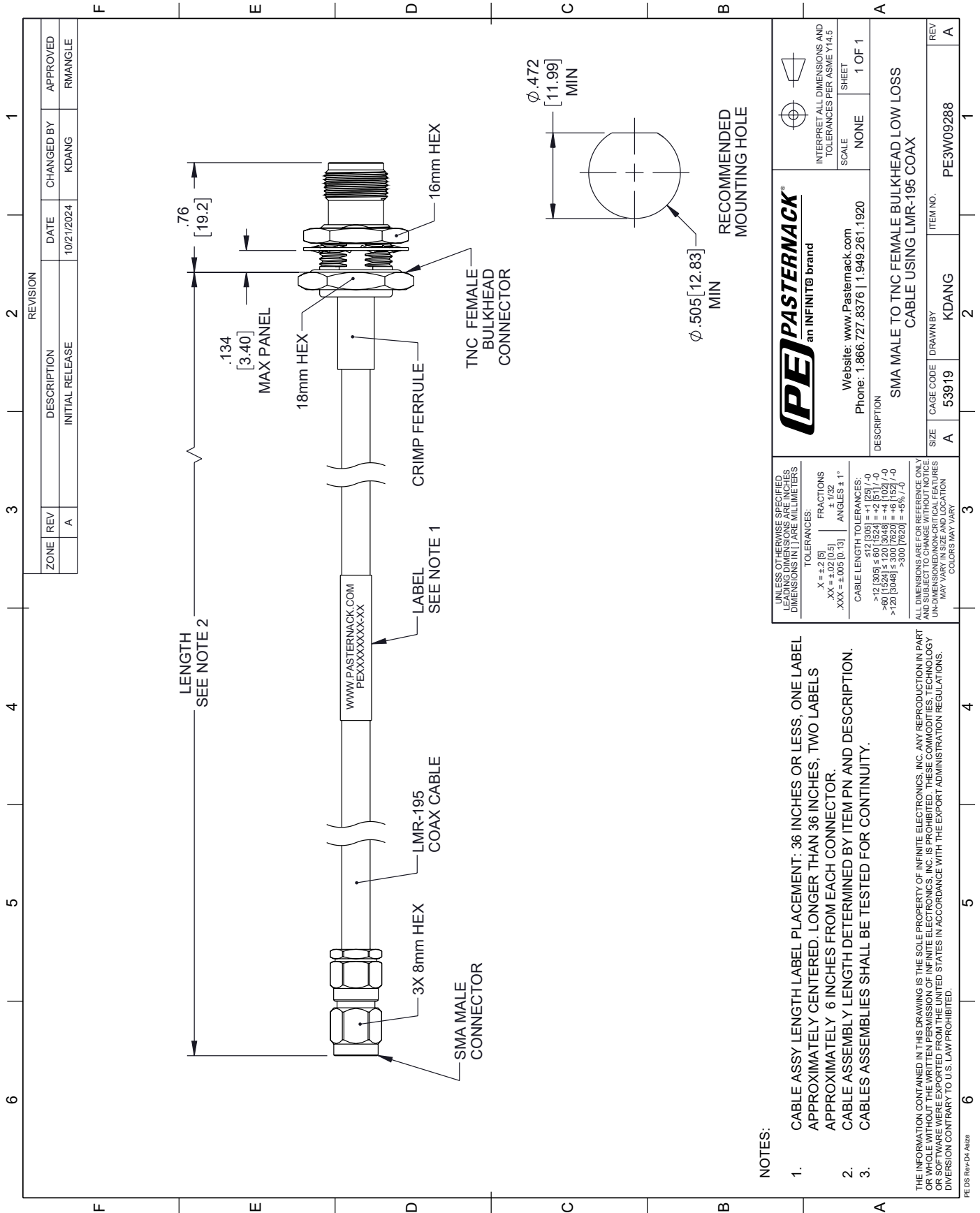
Click the following link (or enter part number in "SEARCH" on website) to obtain additional part information including price, inventory and certifications: [SMA Male to TNC Female Bulkhead Low Loss Cable Using LMR-195 Coax PE3W09288](#)

URL: <https://www.pasternack.com/sma-male-to-tnc-female-bulkhead-low-loss-cable-using-lmr-195-pe3w09288-p.aspx>

The information contained within this document is accurate to the best of our knowledge and representative of the part described herein. It may be necessary to make modifications to the part and/or the documentation of the part in order to implement improvements. Pasternack Enterprises reserves the right to make such changes as required. Unless otherwise stated, all specifications are nominal. Pasternack Enterprises does not make any representation or warranty regarding the suitability of the part described herein for any particular purpose, and Pasternack Enterprises does not assume liability arising out of the use of any part or document.

PE3W09288 CAD Drawing

SMA Male to TNC Female Bulkhead Low Loss Cable Using LMR-195 Coax



NOTES:

- CABLE ASSY LENGTH LABEL PLACEMENT: 36 INCHES OR LESS, ONE LABEL APPROXIMATELY CENTERED. LONGER THAN 36 INCHES, TWO LABELS APPROXIMATELY 6 INCHES FROM EACH CONNECTOR.
- CABLE ASSEMBLY LENGTH DETERMINED BY ITEM PN AND DESCRIPTION.
- CABLES ASSEMBLIES SHALL BE TESTED FOR CONTINUITY.

THE INFORMATION CONTAINED IN THIS DRAWING IS THE SOLE PROPERTY OF INFINITE ELECTRONICS, INC. ANY REPRODUCTION IN PART OR WHOLE WITHOUT THE WRITTEN PERMISSION OF INFINITE ELECTRONICS, INC. IS PROHIBITED. THESE COMMODITIES, TECHNOLOGY OR SOFTWARE WERE EXPORTED FROM THE UNITED STATES IN ACCORDANCE WITH THE EXPORT ADMINISTRATION REGULATIONS. DIVERSION CONTRARY TO U.S. LAW PROHIBITED.

PE DS Rev-04 A1822

UNLESS OTHERWISE SPECIFIED LEADING DIMENSIONS ARE INCHES DIMENSIONS IN [] ARE MILLIMETERS	
TOLERANCES:	
X = ±.2 [5]	FRACTIONS ± 1/32
.XX = ±.02 [0.5]	ANGLES ± 1°
.XXX = ±.005 [0.13]	
CABLE LENGTH TOLERANCES:	
>12 [305] ≤ 60 [1524] = +1 [25] / -0	
>60 [1524] ≤ 120 [3048] = +4 [102] / -0	
>120 [3048] ≤ 300 [7620] = +5 [127] / -0	
>300 [7620] = +5.8 [148]	
ALL DIMENSIONS ARE FOR REFERENCE ONLY UNLESS OTHERWISE SPECIFIED. DIMENSIONS ON CRITICAL FEATURES MAY VARY IN SIZE AND LOCATION. COLORS MAY VARY.	

PE PASTERNAK an INFINIT [®] brand	
INTERPRET ALL DIMENSIONS AND TOLERANCES PER ASME Y14.5	
SCALE	NONE
SHEET	1 OF 1
Website: www.Pasternack.com	
Phone: 1.866.727.8376 1.949.261.1920	
DESCRIPTION	
SMA MALE TO TNC FEMALE BULKHEAD LOW LOSS CABLE USING LMR-195 COAX	
SIZE	A
CAGE CODE	53919
DRAWN BY	KDANG
ITEM NO.	PE3W09288
REV	A