

MCX Plug Right Angle to SMA Female Bulkhead Low Loss Cable 72 Inch Length Using PE-P195 Coax



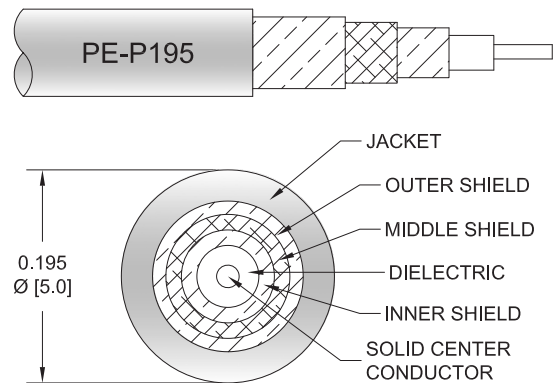
PE3W09701-72

Configuration

- Connector 1: MCX Plug Right Angle
- Connector 2: SMA Female Bulkhead
- Cable Type: PE-P195
- Coax Flex Type: Flexible

Features

- Max Frequency 3 GHz
- 70% Phase Velocity
- Triple Shielded
- FEP Jacket



Applications

- General Purpose
- Laboratory Use

Description

Pasternack's PE3W09701-72 MCX plug right angle to SMA female bulkhead 72 inch cable using PE-P195 coax is part of our full line of RF components available for same-day shipping. Pasternack's flexible RF cable assemblies are ideal for applications where tight bends and flexure are required. This Pasternack MCX to SMA cable assembly has a plug to female gender configuration with 50 ohm flexible PE-P195 coax. The PE3W09701-72 MCX plug to SMA female cable assembly operates to 3 GHz. The right angle MCX interface on the PE-P195 cable allows for easier connections in tight spaces. Our RF cable assembly with SMA bulkhead interface allows designers to create external connections on their product enclosures, and can be used in a variety of other rack mount and panel mount applications. The triple shielding of this Pasternack cable assembly provides excellent shielding effectiveness.

Custom versions of most RF cable assemblies can be built and shipped same day. Custom cable assembly lengths can be obtained by specifying the desired length on the web site at time of order or by contacting a sales representative. Other available RF cable assembly value added services include connector orientation or clocking, heat shrink booting and custom labeling. RF testing can also be performed to document the electrical performance of your cable assembly.

Electrical Specifications

Description	Minimum	Typical	Maximum	Units
Frequency Range	DC		3	GHz
VSWR			1.4:1	
Velocity of Propagation		70		%
Capacitance		29 [95.14]		pF/ft [pF/m]
Operating Voltage (AC)			335	Vrms

Specifications by Frequency

Description	F1	F2	F3	F4	F5	Units
Frequency	0.1	0.25	0.5	1	3	GHz

MCX Plug Right Angle to SMA Female Bulkhead Low Loss Cable 72 Inch Length Using PE-P195 Coax



PE3W09701-72

Specifications by Frequency

Description	F1	F2	F3	F4	F5	Units
Insertion Loss (Typ.)	0.5	0.59	0.74	0.93	1.4	dB

Electrical Specification Notes:

The Insertion Loss data above is based on the performance specifications of the coax and connectors used in this assembly. The Insertion Loss includes an estimated insertion loss of 0.1 dB for the SMA female connector and 0.2 dB for the MCX plug connector.

Mechanical Specifications

Cable Assembly

Length	72 in [182.88 cm]
Width/Diameter	0.5 in [12.7 mm]
Weight	0.256 lbs [116.12 g]

Cable

Cable Type	PE-P195
Impedance	50 Ohms
Inner Conductor Type	Solid
Inner Conductor Material and Plating	Copper Clad Steel, Silver
Dielectric Type	PTFE
Number of Shields	3
Shield Layer 1	Silver Plated Copper Braid
Shield Layer 2	Aluminum Tape
Shield Layer 3	Silver Plated Copper Braid
Jacket Material	FEP, Tan
Jacket Diameter	0.195 in [4.95 mm]
Repeated Minimum Bend Radius	1 in [25.4 mm]

Connectors

Description	Connector 1	Connector 2
Type	MCX Plug Right Angle	SMA Female Bulkhead
Specification	CECC 22220	MIL-STD-348A
Impedance	50 Ohms	50 Ohms
Configuration	Right Angle	Straight
Contact Material and Plating	Brass, Gold	Phosphor Bronze, Gold over Nickel over Copper
Contact Plating Specification	30 µin minimum	
Dielectric Type	PTFE	Teflon
Body Material and Plating	Brass, Nickel	Brass, Gold over Nickel over Copper
Body Plating Specification	100 µin minimum	

Environmental Specifications

Operating Range Temperature	-55 to +155 deg C
-----------------------------	-------------------

MCX Plug Right Angle to SMA Female Bulkhead Low Loss Cable 72 Inch Length Using PE-P195 Coax



PE3W09701-72

Compliance Certifications (see [product page](#) for current document)

Plotted and Other Data

Notes:

Typical Performance Data

How to Order

Part Number Configuration:

PE3W09701

- **xx**

uu

Unit of Measure:
cm = Centimeters
<blank> = Inches
Length
Base Number

Example: PE3W09701-12 = 12 inches long cable
PE3W09701-100cm = 100 cm long cable

MCX Plug Right Angle to SMA Female Bulkhead Low Loss Cable 72 Inch Length Using PE-P195 Coax from Pasternack Enterprises has same day shipment for domestic and International orders. Our RF, microwave and millimeter wave products maintain a 99.4% availability and are part of the broadest selection in the industry.

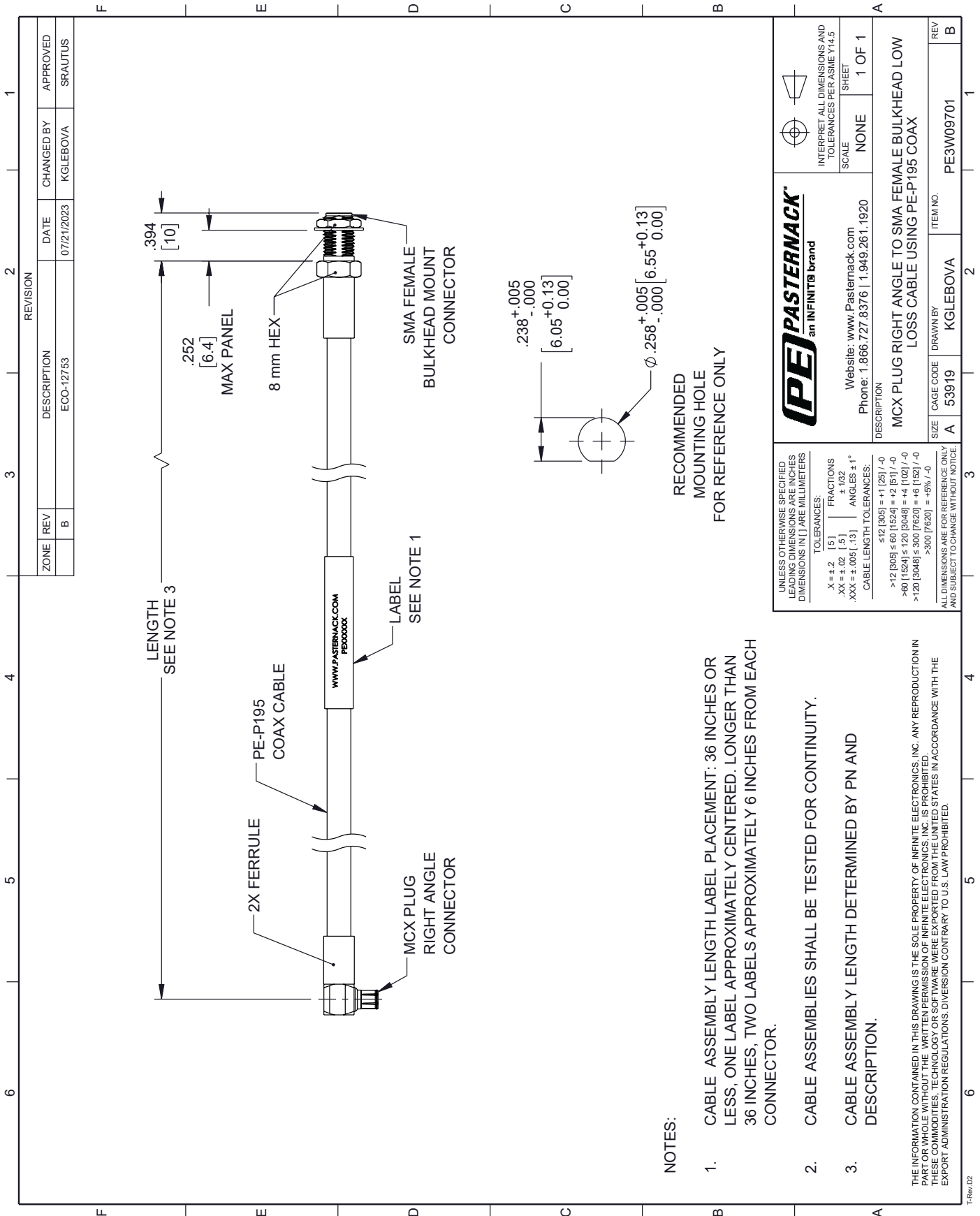
Click the following link (or enter part number in "SEARCH" on website) to obtain additional part information including price, inventory and certifications: [MCX Plug Right Angle to SMA Female Bulkhead Low Loss Cable 72 Inch Length Using PE-P195 Coax PE3W09701-72](#)

URL: <https://www.pasternack.com/mcx-plug-right-angle-to-sma-female-bulkhead-low-loss-cable-72-inch-length-using-pe-p195-pe3w09701-72-p.aspx>

The information contained within this document is accurate to the best of our knowledge and representative of the part described herein. It may be necessary to make modifications to the part and/or the documentation of the part in order to implement improvements. Pasternack Enterprises reserves the right to make such changes as required. Unless otherwise stated, all specifications are nominal. Pasternack Enterprises does not make any representation or warranty regarding the suitability of the part described herein for any particular purpose, and Pasternack Enterprises does not assume liability arising out of the use of any part or document.

PE3W09701-72 CAD Drawing

MCX Plug Right Angle to SMA Female Bulkhead Low Loss Cable 72 Inch Length Using PE-P195 Coax



LENGTH SEE NOTE 3

.394 [10]

.252 [6.4] MAX PANEL

8 mm HEX

MCX PLUG RIGHT ANGLE CONNECTOR

2X FERRULE

PE-P195 COAX CABLE

WWW.PASTERNAK.COM PE3000XX

SMMA FEMALE BULKHEAD MOUNT CONNECTOR

8 mm HEX

0.238^{+0.005}_{-0.000}

0.258^{+0.005}_{-0.000} ∅

+0.13 / 0.00

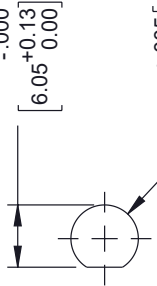
+0.13 / 0.00

6.05

6.05

6.55

6.55



RECOMMENDED MOUNTING HOLE FOR REFERENCE ONLY

NOTES:

1. CABLE ASSEMBLY LENGTH LABEL PLACEMENT: 36 INCHES OR LESS, ONE LABEL APPROXIMATELY CENTERED, LONGER THAN 36 INCHES, TWO LABELS APPROXIMATELY 6 INCHES FROM EACH CONNECTOR.
2. CABLE ASSEMBLIES SHALL BE TESTED FOR CONTINUITY.
3. CABLE ASSEMBLY LENGTH DETERMINED BY PN AND DESCRIPTION.

THE INFORMATION CONTAINED IN THIS DRAWING IS THE SOLE PROPERTY OF INFINITE ELECTRONICS, INC. ANY REPRODUCTION IN PART OR WHOLE, WITHOUT THE WRITTEN PERMISSION OF INFINITE ELECTRONICS, INC. IS PROHIBITED. THESE COMMODITIES, TECHNOLOGY OR SOFTWARE WERE EXPORTED FROM THE UNITED STATES IN ACCORDANCE WITH THE EXPORT ADMINISTRATION REGULATIONS. DIVERSION CONTRARY TO U.S. LAW PROHIBITED.

T:Rev. 02

REVISION		DATE	CHANGED BY	APPROVED
ZONE	REV	DESCRIPTION		
	B	ECO-12753	KGLEBOVA	SRAUTUS

<p>UNLESS OTHERWISE SPECIFIED, ALL DIMENSIONS ARE IN INCHES. DIMENSIONS IN [] ARE IN MILLIMETERS.</p> <p>TOLERANCES:</p> <p>X = ±.2 (5) FRACTIONS ±.02 (.5) ANGLES ± 1°</p> <p>.XX = ±.005 (.13) CABLE LENGTH TOLERANCES:</p> <p>>12 [305] = ±.1 [25] / -0</p> <p>>60 [1524] = .60 [1524] = +.2 [51] / -0</p> <p>>120 [3048] = 1.20 [3048] = +.4 [102] / -0</p> <p>>300 [7620] = 3.00 [7620] = +.8 [203] / -0</p> <p>ALL DIMENSIONS ARE FOR REFERENCE ONLY AND SUBJECT TO CHANGE WITHOUT NOTICE.</p>	<p>INTERPRET ALL DIMENSIONS AND TOLERANCES PER ASME Y14.5</p> <p>SCALE NONE</p> <p>SHEET 1 OF 1</p>
	<p>Website: www.Pasternack.com</p> <p>Phone: 1.866.727.8376 1.949.261.1920</p>
<p>DESCRIPTION</p> <p>MCX PLUG RIGHT ANGLE TO SMA FEMALE BULKHEAD LOW LOSS CABLE USING PE-P195 COAX</p>	<p>ITEM NO.</p> <p>PE3W09701</p>
<p>SIZE</p> <p>A 53919</p>	<p>DRAWN BY</p> <p>KGLEBOVA</p>
<p>REV</p> <p>B</p>	<p>REV</p> <p>B</p>