



## Water Blue FAKRA Jack to MCX Plug Right Angle Low Loss Cable 24 Inch Length Using PE-C100-LSZH Coax

### RF Cable Assemblies Technical Data Sheet

PE3W09827-24

#### Configuration

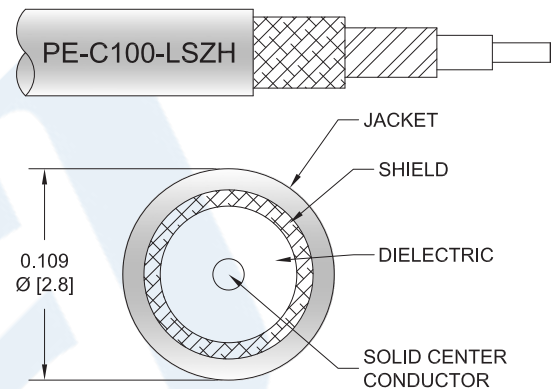
- Connector 1: FAKRA Jack
- Connector 2: MCX Plug Right Angle
- Cable Type: PE-C100-LSZH

#### Features

- Max Frequency 3 GHz
- Shielding Effectivity > 90 dB
- 66% Phase Velocity
- Double Shielded
- LSZH Jacket

#### Applications

- General Purpose
- Laboratory Use



#### Description

Pasternack's PE3W09827-24 water blue FAKRA jack to MCX plug right angle 24 inch cable using PE-C100-LSZH coax is part of our full line of RF components available for same-day shipping. Pasternack's flexible RF cable assemblies are ideal for applications where tight bends and flexure are required. This Pasternack FAKRA to MCX cable assembly has a jack to plug gender configuration with 50 ohm flexible PE-C100-LSZH coax. The PE3W09827-24 FAKRA jack to MCX plug cable assembly operates to 3 GHz. The right angle MCX interface on the PE-C100-LSZH cable allows for easier connections in tight spaces. The double shielding of this Pasternack cable assembly provides excellent shielding effectiveness of better than 90 dB.

Custom versions of most RF cable assemblies can be built and shipped same day. Custom cable assembly lengths can be obtained by specifying the desired length on the web site at time of order or by contacting a sales representative. Other available RF cable assembly value added services include connector orientation or clocking, heat shrink booting and custom labeling. RF testing can also be performed to document the electrical performance of your cable assembly.

Click the following link (or enter part number in "SEARCH" on website) to obtain additional part information including price, inventory and certifications: [Water Blue FAKRA Jack to MCX Plug Right Angle Low Loss Cable 24 Inch Length Using PE-C100-LSZH Coax PE3W09827-24](#)



## Water Blue FAKRA Jack to MCX Plug Right Angle Low Loss Cable 24 Inch Length Using PE-C100-LSZH Coax

### RF Cable Assemblies Technical Data Sheet

PE3W09827-24

#### Electrical Specifications

Description	Minimum	Typical	Maximum	Units
Frequency Range	DC		3	GHz
VSWR			1.4:1	
Velocity of Propagation		66		%
RF Shielding	90			dB
Group Delay		1.62 [5.31]		ns/ft [ns/m]
Capacitance		30.8 [101.05]		pF/ft [pF/m]
Inductance		0.077 [0.25]		uH/ft [uH/m]
DC Resistance Inner Conductor		81 [265.75]		$\Omega$ /1000ft [ $\Omega$ /Km]
DC Resistance Outer Conductor		9.5 [31.17]		$\Omega$ /1000ft [ $\Omega$ /Km]
Jacket Spark			2,000	Vrms

#### Specifications by Frequency

Description	F1	F2	F3	F4	F5	Units
Frequency	0.1	0.25	0.5	1	3	GHz
Insertion Loss (Max.)	0.45	0.54	0.64	0.78	1.2	dB

#### Electrical Specification Notes:

The Insertion Loss data above is based on the performance specifications of the coax cable and connectors used in this assembly. The Insertion Loss includes an estimated insertion loss of 0.1 dB for the straight connector and 0.2 dB for the right angle connector.

#### Mechanical Specifications

##### Cable Assembly

Length*	24 in [609.6 mm]
Diameter	0.37 in [9.4 mm]

##### Cable

Cable Type	PE-C100-LSZH
Impedance	50 Ohms
Inner Conductor Type	Solid
Inner Conductor Material and Plating	Copper Clad Steel
Dielectric Type	PE
Number of Shields	2
Shield Layer 1	Aluminum Tape
Shield Layer 2	Tinned Copper Braid

Click the following link (or enter part number in "SEARCH" on website) to obtain additional part information including price, inventory and certifications: [Water Blue FAKRA Jack to MCX Plug Right Angle Low Loss Cable 24 Inch Length Using PE-C100-LSZH Coax PE3W09827-24](#)



Water Blue FAKRA Jack to MCX Plug Right Angle Low Loss Cable 24 Inch Length Using PE-C100-LSZH Coax

RF Cable Assemblies Technical Data Sheet

PE3W09827-24

Jacket Material	LSZH, Black
Jacket Diameter	0.109 in [2.77 mm]
One Time Minimum Bend Radius	0.25 in [6.35 mm]
Repeated Minimum Bend Radius	1 in [25.4 mm]
Bending Moment	0.1 lbs-ft [0.14 N-m]
Flat Plate Crush	10 lbs/in [0.18 Kg/mm]
Tensile Strength	15 lbs [6.8 Kg]

**Connectors**

Description	Connector 1	Connector 2
Type	FAKRA Jack	MCX Plug Right Angle
Specification		CECC 22220
Impedance	50 Ohms	50 Ohms
Configuration	Straight	Right Angle
Contact Material and Plating	Phosphor Bronze, Gold	Brass, Gold
Contact Plating Specification		30 µin minimum
Dielectric Type	PTFE	PTFE
Outer Conductor Material and Plating	Brass, Nickel	
Body Material and Plating	Plastic	Brass, Nickel
Body Plating Specification		100 µin minimum

**Environmental Specifications**

**Temperature**

Operating Range -40 to +60 deg C

**Compliance Certifications** (see [product page](#) for current document)

**Plotted and Other Data**

Notes:

Click the following link (or enter part number in "SEARCH" on website) to obtain additional part information including price, inventory and certifications: [Water Blue FAKRA Jack to MCX Plug Right Angle Low Loss Cable 24 Inch Length Using PE-C100-LSZH Coax PE3W09827-24](#)



Water Blue FAKRA Jack to MCX Plug Right Angle Low Loss Cable 24 Inch Length Using PE-C100-LSZH Coax

RF Cable Assemblies Technical Data Sheet

PE3W09827-24

**How to Order**

Part Number Configuration:

**PE3W09827**

- **xx**

**uu**

Unit of Measure:  
cm = Centimeters  
<blank> = Inches  
Length  
Base Number

Example: PE3W09827-12 = 12 inches long cable  
PE3W09827-100cm = 100 cm long cable

Water Blue FAKRA Jack to MCX Plug Right Angle Low Loss Cable 24 Inch Length Using PE-C100-LSZH Coax from Pasternack Enterprises has same day shipment for domestic and International orders. Our RF, microwave and millimeter wave products maintain a 99.4% availability and are part of the broadest selection in the industry.

Click the following link (or enter part number in "SEARCH" on website) to obtain additional part information including price, inventory and certifications: [Water Blue FAKRA Jack to MCX Plug Right Angle Low Loss Cable 24 Inch Length Using PE-C100-LSZH Coax PE3W09827-24](https://www.pasternack.com/fakra-jack-mcx-plug-pe-c100-lszh-cable-assembly-pe3w09827-24-p.aspx)

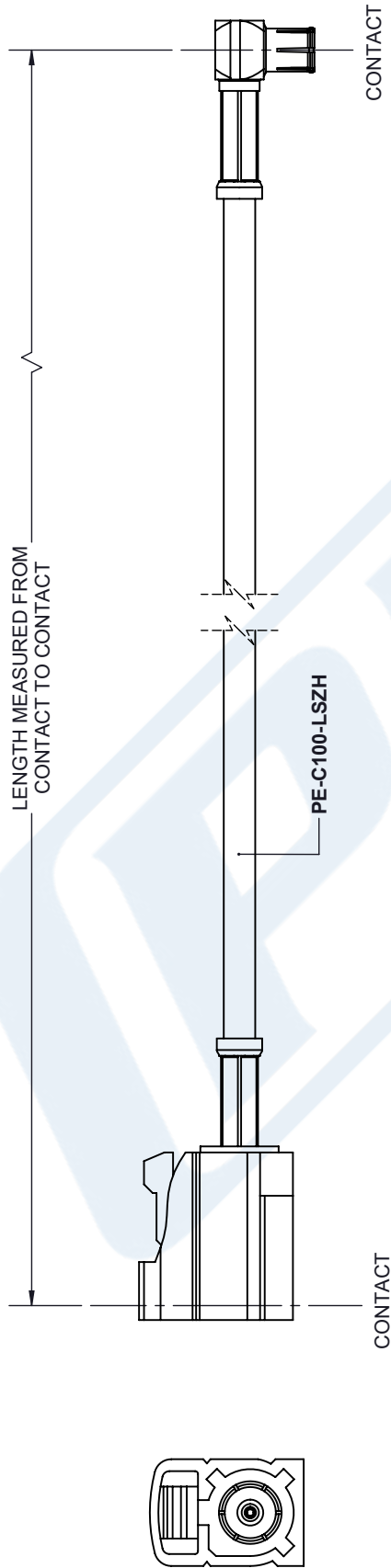
URL: <https://www.pasternack.com/fakra-jack-mcx-plug-pe-c100-lszh-cable-assembly-pe3w09827-24-p.aspx>

The information contained in this document is accurate to the best of our knowledge and representative of the part described herein. It may be necessary to make modifications to the part and/or the documentation of the part, in order to implement improvements. Pasternack reserves the right to make such changes as required. Unless otherwise stated, all specifications are nominal. Pasternack does not make any representation or warranty regarding the suitability of the part described herein for any particular purpose, and Pasternack does not assume any liability arising out of the use of any part or documentation.

# PE3W09827-24 CAD Drawing

## Water Blue FAKRA Jack to MCX Plug Right Angle Low Loss Cable 24 Inch Length Using PE-C100-LSZH Coax

REVISIONS		
REV.	DESCRIPTION	DATE
A	INITIAL RELEASE	10/16/2020
		APPROVED S. ELLIS



**FAKRA JACK  
Z CODING  
WATER BLUE**

**MCX PLUG  
RA**

UNLESS OTHERWISE SPECIFIED  
LEADING DIMENSIONS ARE INCHES  
DIMENSIONS IN [ ] ARE MILLIMETERS

**TOLERANCES:**

.X = ±.2 [ .008 ]    FRACTIONS ± 1/32  
.XX = ±.02 [ .51 ]    ANGLES ± 1°  
.XXX = ±.005 [ .13 ]

**CABLE LENGTH (L) TOLERANCES:**

L ≤ 12 [305] = +1 [25] / -0  
12 [305] < L ≤ 60 [1524] = +2 [51] / -0  
60 [1524] < L ≤ 120 [3048] = +4 [102] / -0  
120 [3048] < L ≤ 300 [7620] = +6 [152] / -0  
300 [7620] < L = +5% / -0

ALL DIMENSIONS SHOWN  
ARE FOR REFERENCE ONLY.

**PE PASTERNAK**  
an INFINITE brand

Pasternack Enterprises, Inc.  
P. O. Box 16759, Irvine, CA 92623.  
Phone: 1.949.261.1920 | 1.866.727.8376  
Fax: 1.949.261.7451  
Website: www.pasternack.com  
E-mail: sales@pasternack.com

SIZE: A    CAGE CODE: 53919    DRAWN BY: K.DANG    ITEM NO.: PE3W09827

THIRD-ANGLE PROJECTION

THE INFORMATION AND  
DESIGN IN THIS DOCUMENT  
IS THE PROPERTY OF  
PASTERNAK CORPORATION  
ALL RIGHTS RESERVED.

SHEET 1 OF 1

SCALE: N/A

REV: A

THESE COMMODITIES, TECHNOLOGY OR SOFTWARE WERE EXPORTED FROM THE UNITED STATES IN ACCORDANCE WITH THE EXPORT ADMINISTRATION REGULATIONS. DIVERSION CONTRARY TO U.S. LAW PROHIBITED.