



TNC Female Bulkhead to SMA Male Right Angle Cable 50 CM Length Using RG402 Coax

RF Cable Assemblies Technical Data Sheet

PE3W10767-50CM

Configuration

- Connector 1: TNC Female Bulkhead
- Connector 2: SMA Male Right Angle
- Cable Type: RG402

Features

- Max Frequency 12.4 GHz
- 69.5% Phase Velocity

Applications

- General Purpose
- Laboratory Use

Description

Pasternack's PE3W10767-50CM TNC female bulkhead to SMA male right angle 50 cm cable using RG402 coax is part of our full line of RF components available for same-day shipping. Pasternack's semi-rigid RF cable assemblies are ideal for high performance applications and can be formed, using proper tooling, to the routing pattern required. This Pasternack TNC to SMA cable assembly has a female to male gender configuration with 50 ohm semi-rigid RG402 coax. The PE3W10767-50CM TNC female to SMA male cable assembly operates to 12.4 GHz. The right angle SMA interface on the RG402 cable allows for easier connections in tight spaces. Our RF cable assembly with TNC bulkhead interface allows designers to create external connections on their product enclosures, and can be used in a variety of other rack mount and panel mount applications.

Custom versions of most RF cable assemblies can be built and shipped same day. Custom cable assembly lengths can be obtained by specifying the desired length on the web site at time of order or by contacting a sales representative. Other available RF cable assembly value added services include connector orientation or clocking, heat shrink booting and custom labeling. RF testing can also be performed to document the electrical performance of your cable assembly.

Click the following link (or enter part number in "SEARCH" on website) to obtain additional part information including price, inventory and certifications: [TNC Female Bulkhead to SMA Male Right Angle Cable 50 CM Length Using RG402 Coax PE3W10767-50CM](#)



TNC Female Bulkhead to SMA Male Right Angle
Cable 50 CM Length Using RG402 Coax

RF Cable Assemblies Technical Data Sheet

PE3W10767-50CM

Electrical Specifications

Description	Minimum	Typical	Maximum	Units
Frequency Range	DC		12.4	GHz
VSWR			1.4:1	
Velocity of Propagation		69.5		%
Operating Voltage (AC)			500	Vrms
Dielectric Withstanding Voltage (AC)			5,000	Vrms

Specifications by Frequency

Description	F1	F2	F3	F4	F5	Units
Frequency	0.5	1	2.5	5	12.4	GHz
Insertion Loss (Typ.)	0.38	0.44	0.54	0.71	1.07	dB

Electrical Specification Notes:

The Insertion Loss data above is based on the performance specifications of the coax and connectors used in this assembly. The Insertion Loss includes an estimated 0.15 dB for the right angle connector and 0.1 dB for the straight connector.

Mechanical Specifications

Cable Assembly

Length* 19.68 in [499.87 mm]
Diameter 0.75 in [19.05 mm]

Cable

Cable Type RG402
Impedance 50 Ohms
Inner Conductor Type Solid
Inner Conductor Material and Plating Copper Clad Steel, Silver
Dielectric Type PTFE
Number of Shields 1
Outer Conductor Material and Plating Copper

Repeated Minimum Bend Radius 0.25 in [6.35 mm]

Click the following link (or enter part number in "SEARCH" on website) to obtain additional part information including price, inventory and certifications: [TNC Female Bulkhead to SMA Male Right Angle Cable 50 CM Length Using RG402 Coax PE3W10767-50CM](#)



TNC Female Bulkhead to SMA Male Right Angle
Cable 50 CM Length Using RG402 Coax

RF Cable Assemblies Technical Data Sheet

PE3W10767-50CM

Connectors

Description	Connector 1	Connector 2
Type	TNC Female Bulkhead	SMA Male Right Angle
Specification	MIL-STD-348	MIL-STD-348A
Impedance	50 Ohms	50 Ohms
Contact Material and Plating	Gold	Brass, Gold
Contact Plating Specification	MIL-G-45204	50 µin minimum
Dielectric Type	PTFE	PTFE
Body Material and Plating	Passivated Stainless Steel	Stainless Steel, Gold
Body Plating Specification	QQ-P-35	30 µin minimum
Coupling Nut Material and Plating		Brass, Nickel
Coupling Nut Plating Specification		100 µin minimum
Hex Size		5/16 inch
Torque		3 in-lbs [0.34 Nm]

Environmental Specifications

Temperature

Operating Range -55 to +125 deg C

Compliance Certifications (see [product page](#) for current document)

Plotted and Other Data

Notes:

Click the following link (or enter part number in "SEARCH" on website) to obtain additional part information including price, inventory and certifications: [TNC Female Bulkhead to SMA Male Right Angle Cable 50 CM Length Using RG402 Coax PE3W10767-50CM](#)



TNC Female Bulkhead to SMA Male Right Angle
Cable 50 CM Length Using RG402 Coax

RF Cable Assemblies Technical Data Sheet

PE3W10767-50CM

How to Order

Part Number Configuration:

PE3W10767

- **xx**

uu

Unit of Measure:
cm = Centimeters
<blank> = Inches
Length
Base Number

Example: PE3W10767-12 = 12 inches long cable
PE3W10767-100cm = 100 cm long cable

TNC Female Bulkhead to SMA Male Right Angle Cable 50 CM Length Using RG402 Coax from Pasternack Enterprises has same day shipment for domestic and International orders. Our RF, microwave and millimeter wave products maintain a 99.4% availability and are part of the broadest selection in the industry.

Click the following link (or enter part number in "SEARCH" on website) to obtain additional part information including price, inventory and certifications: [TNC Female Bulkhead to SMA Male Right Angle Cable 50 CM Length Using RG402 Coax PE3W10767-50CM](https://www.pasternack.com/tnc-female-sma-male-rg402u-cable-assembly-pe3w10767-50cm-p.aspx)

URL: <https://www.pasternack.com/tnc-female-sma-male-rg402u-cable-assembly-pe3w10767-50cm-p.aspx>

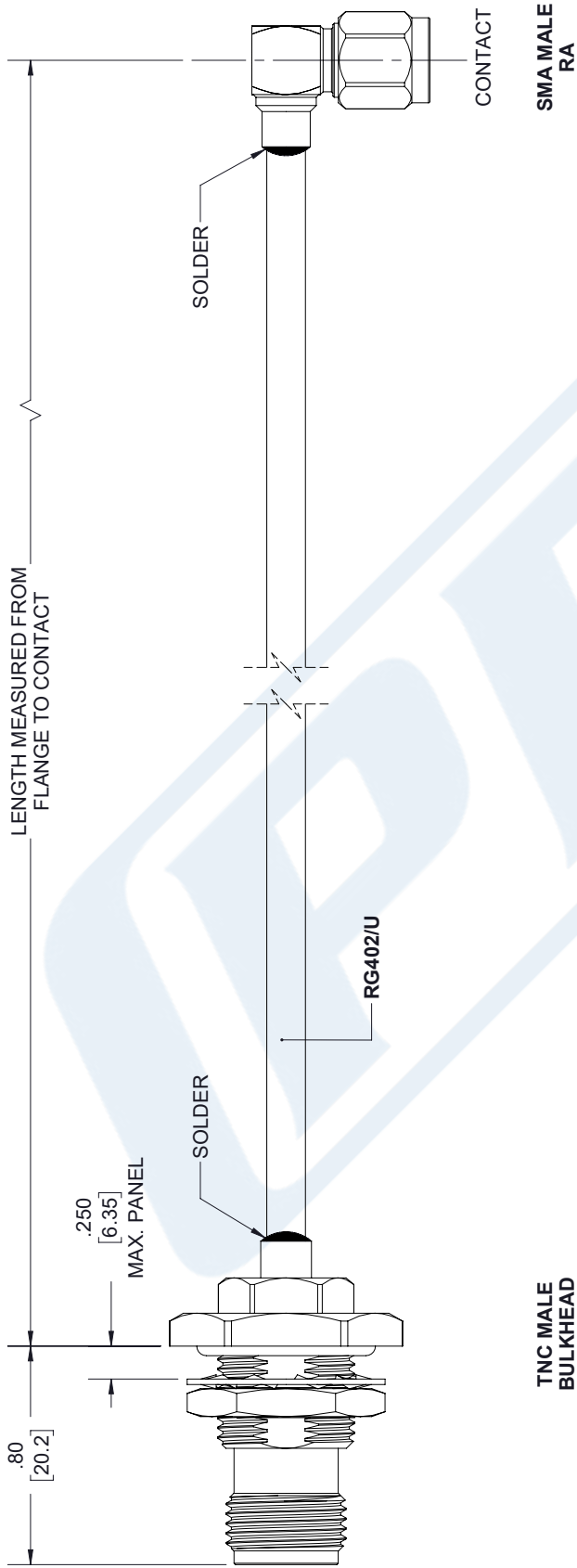
The information contained in this document is accurate to the best of our knowledge and representative of the part described herein. It may be necessary to make modifications to the part and/or the documentation of the part, in order to implement improvements. Pasternack reserves the right to make such changes as required. Unless otherwise stated, all specifications are nominal. Pasternack does not make any representation or warranty regarding the suitability of the part described herein for any particular purpose, and Pasternack does not assume any liability arising out of the use of any part or documentation.

PE3W10767-50CM CAD Drawing

TNC Female Bulkhead to SMA Male Right Angle Cable 50 CM Length Using RG402 Coax

REVISIONS

REV.	DESCRIPTION	DATE	APPROVED
A	INITIAL RELEASE	4/15/2021	S. SELLIS

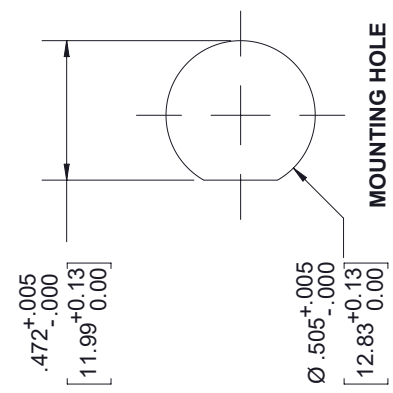


LENGTH MEASURED FROM FLANGE TO CONTACT

.250
[6.35]
MAX. PANEL

.80
[20.2]

TNC MALE BULKHEAD



UNLESS OTHERWISE SPECIFIED LEADING DIMENSIONS ARE INCHES DIMENSIONS IN [] ARE MILLIMETERS

TOLERANCES:
 .X = ±.2 [5.08] FRACTIONS ± 1/32
 .XX = ±.02 [.51] ANGLES ± 1°
 .XXX = ±.005 [.13] CABLE LENGTH (L) TOLERANCES:
 L ≤ 12 [305] = +1 [25] / -0
 12 [305] < L ≤ 60 [1524] = +2 [51] / -0
 60 [1524] < L ≤ 120 [3048] = +4 [102] / -0
 120 [3048] < L ≤ 300 [7620] = +6 [152] / -0
 300 [7620] < L = +5% / L / -0

ALL DIMENSIONS SHOWN ARE FOR REFERENCE ONLY.

PE PASTERNAK
an INFINITO brand

Pasternack Enterprises, Inc.
 P. O. Box 16759, Irvine, CA 92623.
 Phone: 1.949.261.1920 | 1.866.727.8376
 Fax: 1.949.261.7451
 Website: www.pasternack.com
 E-mail: sales@pasternack.com

ITEM NO. PE3W10767
 DRAWN BY K.DANG
 CAGE CODE A 53919
 SCALE N/A
 SHEET 1 OF 1

THIRD-ANGLE PROJECTION

THE INFORMATION AND DESIGN IN THIS DOCUMENT IS THE PROPERTY OF PASTERNAK CORPORATION ALL RIGHTS RESERVED.

THESE COMMODITIES, TECHNOLOGY OR SOFTWARE WERE EXPORTED FROM THE UNITED STATES IN ACCORDANCE WITH THE EXPORT ADMINISTRATION REGULATIONS. DIVERSION CONTRARY TO U.S. LAW PROHIBITED.