

SMA Male to SMA Male Right Angle Low Loss Cable Using PE-C100-LSZH Coax, LF Solder



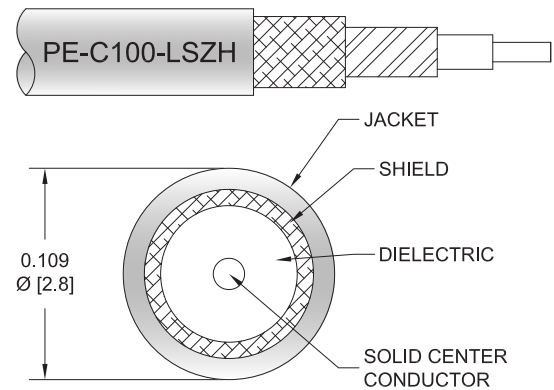
PE3W11570LF

Configuration

- Connector 1: SMA Male
- Connector 2: SMA Male Right Angle
- Cable Type: PE-C100-LSZH
- Coax Flex Type: Flexible

Features

- Max Frequency 5 GHz
- Shielding Effectivity > 90 dB
- 66% Phase Velocity
- Double Shielded
- LSZH Jacket



Applications

- General Purpose
- Laboratory Use

Description

Pasternack's PE3W11570LF SMA male to SMA male right angle cable using PE-C100-LSZH coax is part of our full line of RF components available for same-day shipping. Pasternack's flexible RF cable assemblies are ideal for applications where tight bends and flexure are required. This Pasternack SMA to SMA cable assembly has a male to male gender configuration with 50 ohm flexible PE-C100-LSZH coax. The PE3W11570LF SMA male to SMA male cable assembly operates to 5 GHz. The right angle SMA interface on the PE-C100-LSZH cable allows for easier connections in tight spaces. The double shielding of this Pasternack cable assembly provides excellent shielding effectiveness of better than 90 dB.

Custom versions of most RF cable assemblies can be built and shipped same day. Custom cable assembly lengths can be obtained by specifying the desired length on the web site at time of order or by contacting a sales representative. Other available RF cable assembly value added services include connector orientation or clocking, heat shrink booting and custom labeling. RF testing can also be performed to document the electrical performance of your cable assembly.

Electrical Specifications

Description	Minimum	Typical	Maximum	Units
Frequency Range	DC		5	GHz
VSWR			1.4:1	
Velocity of Propagation		66		%
RF Shielding	90			dB
Group Delay		1.62 [5.31]		ns/ft [ns/m]
Capacitance		30.8 [101.05]		pF/ft [pF/m]
Inductance		0.077 [0.25]		uH/ft [uH/m]
DC Resistance Inner Conductor		81 [265.75]		Ohms/1000ft [Ohms/Km]
DC Resistance Outer Conductor		9.5 [31.17]		Ohms/1000ft [Ohms/Km]

SMA Male to SMA Male Right Angle Low Loss Cable Using PE-C100-LSZH Coax, LF Solder



PE3W11570LF

Electrical Specifications

Description	Minimum	Typical	Maximum	Units
Jacket Spark			2,000	Vrms

Specifications by Frequency

Part Number	Length	Description	F1	F2	F3	F4	F5	Units	Weight (lbs)
		Frequency	250	500	1000	2500	5000	MHz	
PE3W11570LF	Custom Lengths Available	Insertion Loss (Typ.)	0.115	0.166	0.24	0.405	0.6	dB/ft	
			0.38	0.55	0.79	1.33	1.97	dB/m	
PE3W11570LF-12	12 inch	Insertion Loss (Typ.)	0.42	0.47	0.54	0.71	0.9	dB	0.037
PE3W11570LF-24	24 inch	Insertion Loss (Typ.)	0.53	0.64	0.78	1.11	1.5	dB	0.048
PE3W11570LF-36	36 inch	Insertion Loss (Typ.)	0.65	0.8	1.02	1.52	2.1	dB	0.058
PE3W11570LF-48	48 inch	Insertion Loss (Typ.)	0.76	0.97	1.26	1.92	2.7	dB	0.068
PE3W11570LF-60	60 inch	Insertion Loss (Typ.)	0.88	1.13	1.5	2.33	3.3	dB	0.078

The insertion loss data for the base model does not include loss due to the connectors. Each length includes insertion loss due to the connectors.

Loss due to Connector 1:	0.2 dB
Loss due to Connector 2:	0.1 dB
Base Weight:	0.037 pounds
Additional Weight per Inch:	0.00084 pounds

Mechanical Specifications

Cable Assembly

Width/Diameter	0.5 in [12.7 mm]
Weight	0.037 lbs [16.78 g]

Cable

Cable Type	PE-C100-LSZH
Impedance	50 Ohms
Inner Conductor Type	Solid
Inner Conductor Material and Plating	Copper Clad Steel
Dielectric Type	PE
Number of Shields	2
Shield Layer 1	Aluminum Tape
Shield Layer 2	Tinned Copper Braid
Jacket Material	LSZH, Black
Jacket Diameter	0.109 in [2.77 mm]
One Time Minimum Bend Radius	0.25 in [6.35 mm]
Repeated Minimum Bend Radius	1 in [25.4 mm]
Bending Moment	0.1 lbs-ft [0.14 N-m]
Flat Plate Crush	10 lbs/in [0.18 Kg/mm]
Tensile Strength	15 lbs [6.8 Kg]

SMA Male to SMA Male Right Angle Low Loss Cable Using PE-C100-LSZH Coax, LF Solder



PE3W11570LF

Connectors

Description	Connector 1	Connector 2
Type	SMA Male	SMA Male Right Angle
Specification		MIL-STD-348A
Impedance	50 Ohms	50 Ohms
Configuration	Straight	Right Angle
Contact Material and Plating	Brass, Gold	Brass, Gold
Contact Plating Specification		50 µin minimum
Dielectric Type	PTFE	PTFE
Body Material and Plating	Brass, Gold	Brass, Nickel
Body Plating Specification		100 µin minimum
Coupling Nut Material and Plating	Brass, Gold	Brass, Nickel
Coupling Nut Plating Specification		100 µin minimum
Hex Size	5/16 in	5/16 inch
Torque	5 in-lbs 0.57 Nm	3 in-lbs 0.34 Nm

Environmental Specifications

Compliance Certifications (see [product page](#) for current document)

Plotted and Other Data

Notes:

SMA Male to SMA Male Right Angle Low Loss Cable Using PE-C100-LSZH Coax, LF Solder



PE3W11570LF

Typical Performance Data

How to Order



Example: PE3W11570LF-12 = 12 inches long cable
PE3W11570LF-100cm = 100 cm long cable

SMA Male to SMA Male Right Angle Low Loss Cable Using PE-C100-LSZH Coax, LF Solder from Pasternack Enterprises has same day shipment for domestic and International orders. Our RF, microwave and millimeter wave products maintain a 99.4% availability and are part of the broadest selection in the industry.

Click the following link (or enter part number in "SEARCH" on website) to obtain additional part information including price, inventory and certifications: [SMA Male to SMA Male Right Angle Low Loss Cable Using PE-C100-LSZH Coax, LF Solder PE3W11570LF](#)

URL: <https://www.pasternack.com/sma-male-to-sma-male-low-loss-cable-using-pe-c100-lszh-lf-solder-pe3w11570lf-p.aspx>

The information contained within this document is accurate to the best of our knowledge and representative of the part described herein. It may be necessary to make modifications to the part and/or the documentation of the part in order to implement improvements. Pasternack Enterprises reserves the right to make such changes as required. Unless otherwise stated, all specifications are nominal. Pasternack Enterprises does not make any representation or warranty regarding the suitability of the part described herein for any particular purpose, and Pasternack Enterprises does not assume liability arising out of the use of any part or document.

PE3W11570LF CAD Drawing

SMA Male to SMA Male Right Angle Low Loss Cable Using PE-C100-LSZH Coax, LF Solder

