



TNC Female Bulkhead to N Male Cable Using RG141 Coax

RF Cable Assemblies Technical Data Sheet

PE3W11600

Configuration

- Connector 1: TNC Female Bulkhead
- Connector 2: N Male
- Cable Type: RG141

Features

- Max Frequency 3 GHz
- 70% Phase Velocity
- PTFE (FG) Jacket

Applications

- General Purpose
- Laboratory Use

Description

Pasternack's PE3W11600 TNC female bulkhead to type N male cable using RG141 coax is part of our full line of RF components available for same-day shipping. Pasternack's flexible RF cable assemblies are ideal for applications where tight bends and flexure are required. This Pasternack TNC to type N cable assembly has a female to male gender configuration with 50 ohm flexible RG141 coax. The PE3W11600 TNC female to type N male cable assembly operates to 3 GHz. Our RF cable assembly with TNC bulkhead interface allows designers to create external connections on their product enclosures, and can be used in a variety of other rack mount and panel mount applications.

Custom versions of most RF cable assemblies can be built and shipped same day. Custom cable assembly lengths can be obtained by specifying the desired length on the web site at time of order or by contacting a sales representative. Other available RF cable assembly value added services include connector orientation or clocking, heat shrink booting and custom labeling. RF testing can also be performed to document the electrical performance of your cable assembly.

Click the following link (or enter part number in "SEARCH" on website) to obtain additional part information including price, inventory and certifications: [TNC Female Bulkhead to N Male Cable Using RG141 Coax PE3W11600](#)



TNC Female Bulkhead to N Male Cable Using RG141 Coax

RF Cable Assemblies Technical Data Sheet

PE3W11600

Electrical Specifications

Description	Minimum	Typical	Maximum	Units
Frequency Range	DC		3	GHz
VSWR			1.5:1	
Velocity of Propagation		70		%
Capacitance		29.4 [96.46]		pF/ft [pF/m]
Jacket Spark			2,000	Vrms

Specifications by Frequency

Description	F1	F2	F3	F4	F5	Units
Frequency	0.1	0.25	0.5	1	3	GHz
Insertion Loss (Typ.)	0.039	0.054	0.079	0.13	0.245	dB/ft
	0.13	0.18	0.26	0.43	0.8	dB/m

Electrical Specification Notes:

Insertion Loss does not include the loss of the connectors. Insertion Loss is estimated as 0.1 dB per connector.

Mechanical Specifications

Cable Assembly

Weight 0.15 lbs [68.04 g]

Cable

Cable Type RG141
 Impedance 50 Ohms
 Inner Conductor Type Solid
 Inner Conductor Material and Plating Copper Clad Steel, Silver
 Dielectric Type PTFE
 Number of Shields 1
 Shield Layer 1 Silver Plated Copper
 Jacket Material PTFE (FG), Beige
 Jacket Diameter 0.19 in [4.83 mm]

Click the following link (or enter part number in "SEARCH" on website) to obtain additional part information including price, inventory and certifications: [TNC Female Bulkhead to N Male Cable Using RG141 Coax PE3W11600](#)



TNC Female Bulkhead to N Male Cable Using RG141 Coax

RF Cable Assemblies Technical Data Sheet

PE3W11600

Connectors

Description	Connector 1	Connector 2
Type	TNC Female Bulkhead	N Male
Specification	MIL-STD-348A	MIL-STD-348
Impedance	50 Ohms	50 Ohms
Contact Material and Plating	Brass, Gold	Brass, Silver
Contact Plating Specification	30 µin minimum	
Dielectric Type	PTFE	PTFE
Body Material and Plating	Brass, Nickel	Brass, Nickel
Body Plating Specification	100 µin minimum	
Coupling Nut Material and Plating		Brass, Nickel

Environmental Specifications

Temperature

Operating Range -55 to +165 deg C

Compliance Certifications (see [product page](#) for current document)

Plotted and Other Data

Notes:

Click the following link (or enter part number in "SEARCH" on website) to obtain additional part information including price, inventory and certifications: [TNC Female Bulkhead to N Male Cable Using RG141 Coax PE3W11600](#)



TNC Female Bulkhead to N Male Cable Using RG141 Coax

RF Cable Assemblies Technical Data Sheet

PE3W11600

How to Order

Part Number Configuration:

PE3W11600

- **xx**

uu

Unit of Measure:
cm = Centimeters
<blank> = Inches
Length
Base Number

Example: PE3W11600-12 = 12 inches long cable
PE3W11600-100cm = 100 cm long cable

TNC Female Bulkhead to N Male Cable Using RG141 Coax from Pasternack Enterprises has same day shipment for domestic and International orders. Our RF, microwave and millimeter wave products maintain a 99.4% availability and are part of the broadest selection in the industry.

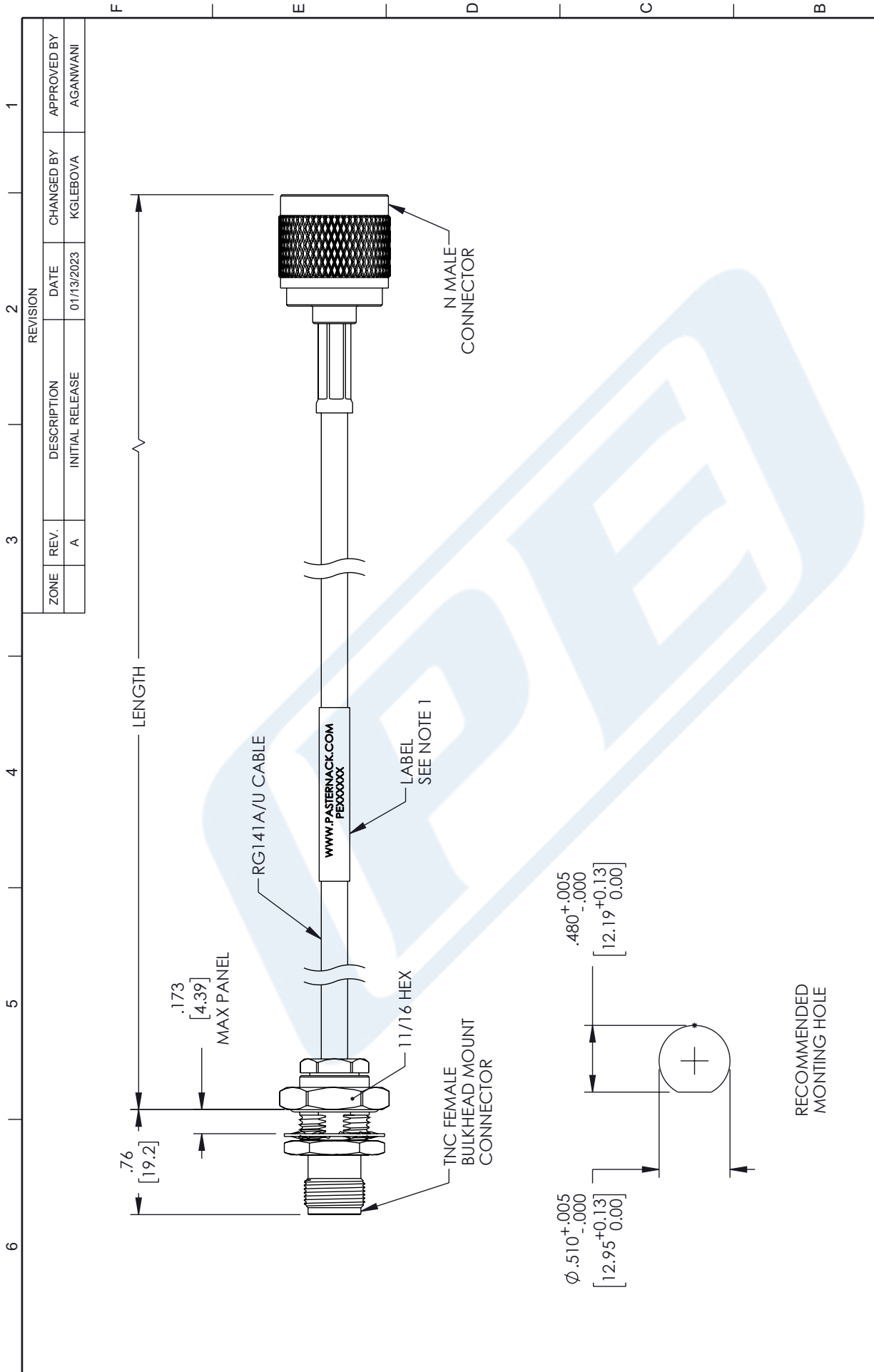
Click the following link (or enter part number in "SEARCH" on website) to obtain additional part information including price, inventory and certifications: [TNC Female Bulkhead to N Male Cable Using RG141 Coax PE3W11600](https://www.pasternack.com/tnc-female-bulkhead-to-n-male-cable-using-rg141-pe3w11600-p.aspx)

URL: <https://www.pasternack.com/tnc-female-bulkhead-to-n-male-cable-using-rg141-pe3w11600-p.aspx>

The information contained in this document is accurate to the best of our knowledge and representative of the part described herein. It may be necessary to make modifications to the part and/or the documentation of the part, in order to implement improvements. Pasternack reserves the right to make such changes as required. Unless otherwise stated, all specifications are nominal. Pasternack does not make any representation or warranty regarding the suitability of the part described herein for any particular purpose, and Pasternack does not assume any liability arising out of the use of any part or documentation.

PE3W11600 CAD Drawing

TNC Female Bulkhead to N Male Cable Using RG141 Coax



REVISION		DATE	CHANGED BY	APPROVED BY
ZONE	REV.	DESCRIPTION	INITIAL RELEASE	
	A		01/13/2023	KGLEBOVA
				AGANWANI

PE PASTERNAK
an INFINITO brand

Website: www.Pasternack.com
Phone: 1.866.727.8376 | 1.949.261.1920

DESCRIPTION
TNC FEMALE BULKHEAD TO N MALE CABLE USING RG141 COAX

SIZE A CAGE CODE 53919 DRAWN BY KGLEBOVA ITEM NO. PE3W11600

INTERPRET ALL DIMENSIONS AND TOLERANCES PER ASME Y14.5

SCALE NONE SHEET 1 OF 1

UNLESS OTHERWISE SPECIFIED LEADING DIMENSIONS ARE INCHES DIMENSIONS IN [] ARE MILLIMETERS

TOLERANCES:
 .X = ±.2 [.5] FRACTIONS ±.102
 .XX = ±.02 [.5] ±.102
 .XXX = ±.005 [.13] ANGLES ± 1°

CABLE LENGTH TOLERANCES:
 >12 [305] = +1 [25] / -0
 >12 [305] ≤ 60 [1524] = +2 [51] / -0
 >60 [1524] ≤ 120 [3048] = +4 [102] / -0
 >120 [3048] ≤ 300 [7620] = +6 [152] / -0
 >300 [7620] = +5% / -0

ALL DIMENSIONS ARE FOR REFERENCE ONLY AND SUBJECT TO CHANGE WITHOUT NOTICE.

- NOTES:
- CABLE ASSEMBLY LENGTH LABEL PLACEMENT: 36 INCHES OR LESS, ONE LABEL APPROX CENTERED. LONGER THAN 36 INCHES, TWO LABELS APPROXIMATELY 6 INCHES FROM EACH CONNECTOR.
 - CABLES ASSEMBLIES SHALL BE TESTED FOR CONTINUITY.
- RECOMMENDED MOUNTING HOLE
- THE INFORMATION CONTAINED IN THIS DRAWING IS THE SOLE PROPERTY OF INFINITE ELECTRONICS, INC. ANY REPRODUCTION IN PART OR WHOLE WITHOUT THE WRITTEN PERMISSION OF INFINITE ELECTRONICS, INC. IS PROHIBITED. THESE COMMODITIES, TECHNOLOGY OR SOFTWARE WERE EXPORTED FROM THE UNITED STATES IN ACCORDANCE WITH THE EXPORT ADMINISTRATION REGULATIONS. DIVERSION CONTRARY TO U.S. LAW PROHIBITED.