

Outdoor Rated N Male Right Angle to N Male Low PIM Cable 36 Inch Length Using SPO-250 Coax, LF Solder



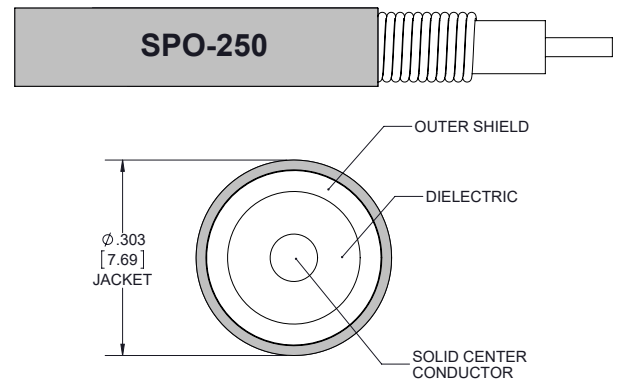
PE3W12315LF-36

Configuration

- Connector 1: N Male Right Angle
- Connector 2: N Male
- Cable Type: SPO-250
- Coax Flex Type: Corrugated

Features

- Max Frequency 6 GHz
- Low PIM: -160 dBc Max
- 83% Phase Velocity
- PE Jacket



Applications

- General Purpose
- Laboratory Use
- Low PIM Applications

Description

Pasternack's PE3W12315LF-36 type N male right angle to type N male 36 inch cable using SPO-250 coax is part of our full line of RF components available for same-day shipping. Pasternack's corrugated RF cable assemblies are ideal for applications where durability and high power are needed. This Pasternack type N to type N cable assembly has a male to male gender configuration with 50 ohm corrugated SPO-250 coax. The PE3W12315LF-36 type N male to type N male cable assembly operates to 6 GHz. Our low PIM design also offers excellent passive intermodulation performance with PIM levels better than -160 dBc. The right angle type N interface on the SPO-250 cable allows for easier connections in tight spaces.

Custom versions of most RF cable assemblies can be built and shipped same day. Custom cable assembly lengths can be obtained by specifying the desired length on the web site at time of order or by contacting a sales representative. Other available RF cable assembly value added services include connector orientation or clocking, heat shrink booting and custom labeling. RF testing can also be performed to document the electrical performance of your cable assembly.

Electrical Specifications

| Description | Minimum | Typical | Maximum | Units |
|---|---------|--------------|---------|--------------|
| Frequency Range | DC | | 6 | GHz |
| VSWR | | | 1.4:1 | |
| Velocity of Propagation | | 83 | | % |
| Passive Intermodulation IM3 (2x43dBm Tones) at 850 MHz or 1900 MHz | | | -160 | dBc |
| Capacitance | | 24 [78.74] | | pF/ft [pF/m] |
| Inductance | | 0.054 [0.18] | | uH/ft [uH/m] |

Specifications by Frequency

Outdoor Rated N Male Right Angle to N Male Low PIM
Cable 36 Inch Length Using SPO-250 Coax, LF Solder



PE3W12315LF-36

| Part Number | Length | Description | F1 | F2 | F3 | F4 | Units | Weight (lbs) |
|------------------|--------------------------|-----------------------|-----------|------|-------|-------|-------|--------------|
| | | | Frequency | 500 | 1000 | 2500 | 6000 | |
| PE3W12315LF | Custom Lengths Available | Insertion Loss (Typ.) | 0.042 | 0.06 | 0.103 | 0.166 | dB/ft | |
| | | | 0.14 | 0.2 | 0.34 | 0.55 | dB/m | |
| PE3W12315LF-12 | 12 In | Insertion Loss (Typ.) | 0.35 | 0.36 | 0.41 | 0.47 | dB | 0.267 |
| PE3W12315LF-24 | 24 In | Insertion Loss (Typ.) | 0.39 | 0.42 | 0.51 | 0.64 | dB | 0.315 |
| PE3W12315LF-36 | 36 In | Insertion Loss (Typ.) | 0.43 | 0.48 | 0.61 | 0.8 | dB | 0.362 |
| PE3W12315LF-60 | 60 In | Insertion Loss (Typ.) | 0.51 | 0.6 | 0.82 | 1.13 | dB | 0.456 |
| PE3W12315LF-50CM | 50 CM | Insertion Loss (Typ.) | 0.37 | 0.4 | 0.47 | 0.58 | dB | 0.298 |

The insertion loss data for the base model does not include loss due to the connectors. Each length includes insertion loss due to the connectors.

Loss due to Connector 1: 0.2 dB
 Loss due to Connector 2: 0.1 dB
 Base Weight: 0.267 pounds
 Additional Weight per Inch: 0.00392 pounds

Mechanical Specifications

Cable Assembly

Length 36 in [914.4 mm]
 Width/Diameter .5 in [12.7 mm]
 Weight 0.362 lbs [164.2 g]

Cable

Cable Type SPO-250
 Impedance 50 Ohms
 Inner Conductor Type Solid
 Inner Conductor Material and Plating Copper Clad Aluminum
 Dielectric Type Foam PE
 Number of Shields 1
 Outer Conductor 1 Material and Plating Copper
 Jacket Material PE, Black
 Jacket Diameter 0.303 in [7.7 mm]
 One Time Minimum Bend Radius 1.25 in [31.75 mm]
 Bending Moment 0.5 lbs-ft [0.68 N-m]

Outdoor Rated N Male Right Angle to N Male Low PIM
Cable 36 Inch Length Using SPO-250 Coax, LF Solder



PE3W12315LF-36

Connectors

| Description | Connector 1 | Connector 2 |
|-----------------------------------|--------------------|------------------|
| Type | N Male Right Angle | N Male |
| Impedance | 50 Ohms | 50 Ohms |
| Configuration | Right Angle | Straight |
| Contact Material and Plating | Brass, Silver | Brass, Silver |
| Dielectric Type | PTFE | PTFE |
| Body Material and Plating | Brass, Tri-Metal | Brass, Tri-Metal |
| Coupling Nut Material and Plating | Brass, Tri-Metal | Brass, Tri-Metal |

Environmental Specifications

Operating Range Temperature -40 to +85 deg C

Compliance Certifications (see [product page](#) for current document)

Plotted and Other Data

Notes:

Outdoor Rated N Male Right Angle to N Male Low PIM Cable 36 Inch Length Using SPO-250 Coax, LF Solder



PE3W12315LF-36

Typical Performance Data

How to Order

Part Number Configuration:

PE3W12315LF - xx uu

_____ Unit of Measure:
 cm = Centimeters
 <blank> = Inches
 _____ Length
 _____ Base Number

Example: PE3W12315LF-12 = 12 inches long cable
 PE3W12315LF-100cm = 100 cm long cable

Outdoor Rated N Male Right Angle to N Male Low PIM Cable 36 Inch Length Using SPO-250 Coax, LF Solder from Pasternack Enterprises has same day shipment for domestic and International orders. Our RF, microwave and millimeter wave products maintain a 99.4% availability and are part of the broadest selection in the industry.

Click the following link (or enter part number in "SEARCH" on website) to obtain additional part information including price, inventory and certifications: [Outdoor Rated N Male Right Angle to N Male Low PIM Cable 36 Inch Length Using SPO-250 Coax, LF Solder PE3W12315LF-36](#)

URL: <https://www.pasternack.com/outdoor-rated-n-male-right-angle-to-n-male-low-pim-cable-36-inch-length-using-spo-250-lf-solder-pe3w12315lf-36-p.aspx>

The information contained within this document is accurate to the best of our knowledge and representative of the part described herein. It may be necessary to make modifications to the part and/or the documentation of the part in order to impliment improvements. Pasternack Enterprises reserves the right to make such changes as required. Unless otherwise stated, all specifications are nominal. Pasternack Enterprises does not make any representation or warranty regarding the suitability of the part described herein for any particular purpose, and Pasternack Enterprises does not assume liability arising out of the use of any part or document.

