

SSMA Female Bulkhead to Push-On SMP Female Right Angle Low Loss Cable Using LMR-100 Coax



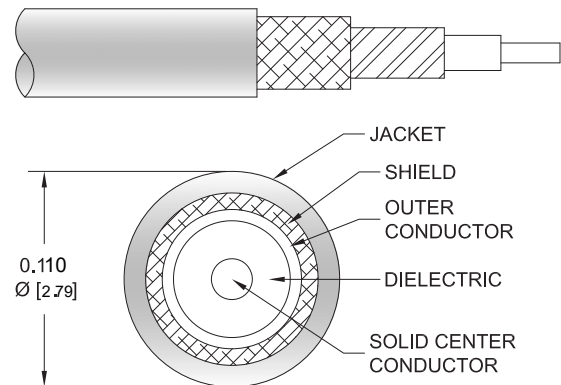
PE3W12808

Configuration

- Connector 1: SSMA Female Bulkhead
- Connector 2: Push-On SMP Female Right Angle
- Cable Type: LMR-100A
- Coax Flex Type: Flexible

Features

- Shielding Effectivity > 90 dB
- 66% Phase Velocity
- Double Shielded
- PVC Jacket



Applications

- General Purpose
- Laboratory Use

Description

Pasternack's PE3W12808 SSMA female bulkhead to SMP female push-on right angle cable using LMR-100 coax is part of our full line of RF components available for same-day shipping. Pasternack's flexible RF cable assemblies are ideal for applications where tight bends and flexure are required. This Pasternack SSMA to SMP cable assembly has a female to female gender configuration with 50 ohm flexible LMR-100A coax. The right angle SMP interface on the LMR-100A cable allows for easier connections in tight spaces. Our RF cable assembly with SSMA bulkhead interface allows designers to create external connections on their product enclosures, and can be used in a variety of other rack mount and panel mount applications. The double shielding of this Pasternack cable assembly provides excellent shielding effectiveness of better than 90 dB.

Custom versions of most RF cable assemblies can be built and shipped same day. Custom cable assembly lengths can be obtained by specifying the desired length on the web site at time of order or by contacting a sales representative. Other available RF cable assembly value added services include connector orientation or clocking, heat shrink booting and custom labeling. RF testing can also be performed to document the electrical performance of your cable assembly.

Electrical Specifications

| Description | Minimum | Typical | Maximum | Units |
|-------------------------------|---------|---------------|---------|-----------------------|
| Velocity of Propagation | | 66 | | % |
| RF Shielding | 90 | | | dB |
| Group Delay | | 1.54 [5.05] | | ns/ft [ns/m] |
| Capacitance | | 30.8 [101.05] | | pF/ft [pF/m] |
| Inductance | | 0.077 [0.25] | | uH/ft [uH/m] |
| DC Resistance Inner Conductor | | 81 [265.75] | | Ohms/1000ft [Ohms/Km] |
| DC Resistance Outer Conductor | | 9.5 [31.17] | | Ohms/1000ft [Ohms/Km] |

SSMA Female Bulkhead to Push-On SMP Female Right Angle Low Loss Cable Using LMR-100 Coax



PE3W12808

Electrical Specifications

| Description | Minimum | Typical | Maximum | Units |
|--------------|---------|---------|---------|-------|
| Jacket Spark | | | 2,000 | Vrms |

Mechanical Specifications

Cable Assembly

| | |
|----------------|--------------------|
| Width/Diameter | 0.5 in [12.7 mm] |
| Weight | 0.022 lbs [9.98 g] |

Cable

| | |
|--------------------------------------|------------------------|
| Cable Type | LMR-100A |
| Impedance | 50 Ohms |
| Inner Conductor Type | Solid |
| Inner Conductor Material and Plating | Copper Clad Steel |
| Dielectric Type | PE |
| Number of Shields | 2 |
| Shield Layer 1 | Aluminum Tape |
| Shield Layer 2 | Tinned Copper Braid |
| Jacket Material | PVC, Black |
| Jacket Diameter | 0.11 in [2.79 mm] |
| One Time Minimum Bend Radius | 0.25 in [6.35 mm] |
| Repeated Minimum Bend Radius | 1 in [25.4 mm] |
| Bending Moment | 0.1 lbs-ft [0.14 N-m] |
| Flat Plate Crush | 10 lbs/in [0.18 Kg/mm] |
| Tensile Strength | 15 lbs [6.8 Kg] |

Connectors

| Description | Connector 1 | Connector 2 |
|---------------------------------------|----------------------|------------------------|
| Type | SSMA Female Bulkhead | SMP Female Right Angle |
| Specification | MIL-STD-348 | MIL-STD-348A |
| Impedance | 50 Ohms | 50 Ohms |
| Configuration | Straight | Right Angle |
| Connection Method | | Push-On |
| Contact Material and Plating | Gold | Beryllium Copper, Gold |
| Contact Plating Specification | MIL-G-45204 | 30μ in. minimum |
| Dielectric Type | PTFE | Teflon |
| Outer Conductor Material and Plating | | Beryllium Copper, Gold |
| Outer Conductor Plating Specification | | 3μ in. minimum |
| Body Material and Plating | Brass, Nickel | Brass, Gold |
| Body Plating Specification | QQ-N-290 | 3μ in. minimum |

SSMA Female Bulkhead to Push-On SMP Female Right Angle Low Loss Cable Using LMR-100 Coax



PE3W12808

Environmental Specifications

Operating Range Temperature -40 to +85 deg C

Compliance Certifications (see [product page](#) for current document)

Plotted and Other Data

Notes:

Typical Performance Data

How to Order

Part Number Configuration: **PE3W12808 - xx uu**

PE3W12808: Base Number
 - xx: Length
 uu: Unit of Measure:
 cm = Centimeters
 <blank> = Inches

Example: PE3W12808-12 = 12 inches long cable
 PE3W12808-100cm = 100 cm long cable

SSMA Female Bulkhead to Push-On SMP Female Right Angle Low Loss Cable Using LMR-100 Coax from Pasternack Enterprises has same day shipment for domestic and International orders. Our RF, microwave and millimeter wave products maintain a 99.4% availability and are part of the broadest selection in the industry.

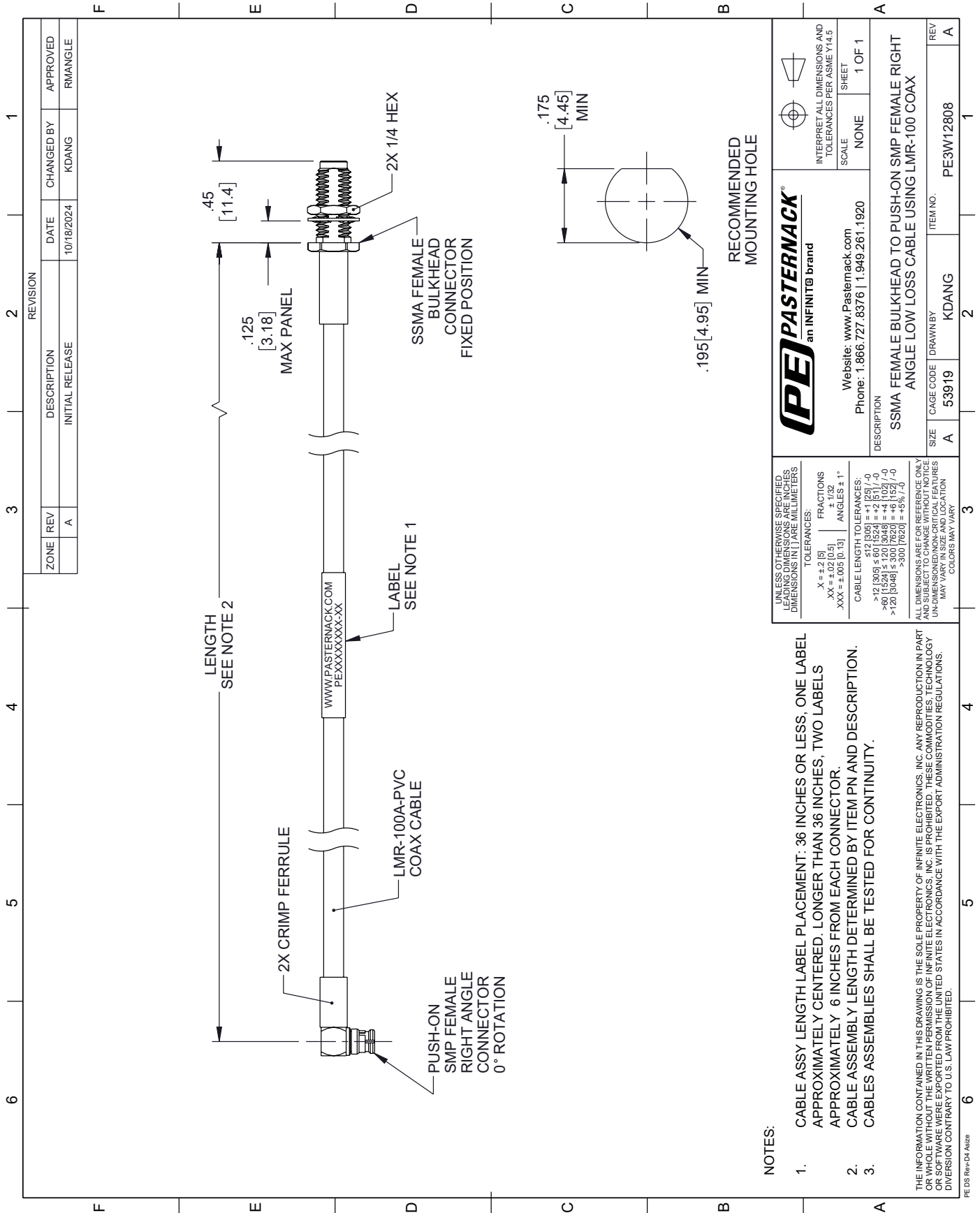
Click the following link (or enter part number in "SEARCH" on website) to obtain additional part information including price, inventory and certifications: [SSMA Female Bulkhead to Push-On SMP Female Right Angle Low Loss Cable Using LMR-100 Coax PE3W12808](#)

URL: <https://www.pasternack.com/ssma-female-bulkhead-to-push-on-smp-female-low-loss-cable-using-lmr-100-pe3w12808-p.aspx>

The information contained within this document is accurate to the best of our knowledge and representative of the part described herein. It may be necessary to make modifications to the part and/or the documentation of the part in order to implement improvements. Pasternack Enterprises reserves the right to make such changes as required. Unless otherwise stated, all specifications are nominal. Pasternack Enterprises does not make any representation or warranty regarding the suitability of the part described herein for any particular purpose, and Pasternack Enterprises does not assume liability arising out of the use of any part or document.

PE3W12808 CAD Drawing

SSMA Female Bulkhead to Push-On SMP Female Right Angle Low Loss Cable Using LMR-100 Coax



NOTES:

1. CABLE ASSY LENGTH LABEL PLACEMENT: 36 INCHES OR LESS, ONE LABEL APPROXIMATELY CENTERED. LONGER THAN 36 INCHES, TWO LABELS APPROXIMATELY 6 INCHES FROM EACH CONNECTOR.
2. CABLE ASSEMBLY LENGTH DETERMINED BY ITEM PN AND DESCRIPTION.
3. CABLES ASSEMBLIES SHALL BE TESTED FOR CONTINUITY.

THE INFORMATION CONTAINED IN THIS DRAWING IS THE SOLE PROPERTY OF INFINITE ELECTRONICS, INC. ANY REPRODUCTION IN PART OR WHOLE WITHOUT THE WRITTEN PERMISSION OF INFINITE ELECTRONICS, INC. IS PROHIBITED. THESE COMMODITIES, TECHNOLOGY OR SOFTWARE WERE EXPORTED FROM THE UNITED STATES IN ACCORDANCE WITH THE EXPORT ADMINISTRATION REGULATIONS. DIVERSION CONTRARY TO U.S. LAW PROHIBITED.

PE DS Rev-04 A182z

| | |
|---|-------------|
| UNLESS OTHERWISE SPECIFIED LEADING DIMENSIONS ARE INCHES DIMENSIONS IN [] ARE MILLIMETERS | |
| TOLERANCES: | FRACTIONS |
| .X = ±.2 [5] | ± 1/32 |
| .XX = ±.02 [0.5] | ± 1/32 |
| .XXX = ±.005 [0.13] | ANGLES ± 1° |
| CABLE LENGTH TOLERANCES: | |
| >12 [305] ≤ 60 [1524] = +1 [25] / -0 | |
| >60 [1524] ≤ 120 [3048] = +4 [102] / -0 | |
| >120 [3048] ≤ 300 [7620] = +5 [127] / -0 | |
| >300 [7620] = +5 [127] / -0 | |
| ALL DIMENSIONS ARE FOR REFERENCE ONLY UNLESS OTHERWISE SPECIFIED. DIMENSIONS ON CRITICAL FEATURES MAY VARY IN SIZE AND LOCATION. COLORS MAY VARY. | |

| | | |
|---|------------------|--|
| PASTERNAK an INFINIT [®] brand | | INTERPRET ALL DIMENSIONS AND TOLERANCES PER ASME Y14.5 SCALE: NONE SHEET: 1 OF 1 |
| Website: www.Pasternack.com Phone: 1.866.727.8376 1.949.261.1920 | | RECOMMENDED MOUNTING HOLE .195 [4.95] MIN .175 [4.45] MIN |
| DESCRIPTION: SSMA FEMALE BULKHEAD TO PUSH-ON SMP FEMALE RIGHT ANGLE LOW LOSS CABLE USING LMR-100 COAX | | ITEM NO.: PE3W12808 DRAWN BY: KDANG |
| SIZE: A | CAGE CODE: 53919 | REV: A |

| REVISION | | | |
|----------|-----|-----------------|-------------------|
| ZONE | REV | DESCRIPTION | DATE |
| | A | INITIAL RELEASE | 10/18/2024 |
| | | | CHANGED BY: KDANG |
| | | | APPROVED: RWANGLE |