

4.3-10 Male to QMA Male Low PIM Cable Using 1/4 inch Superflexible Coax



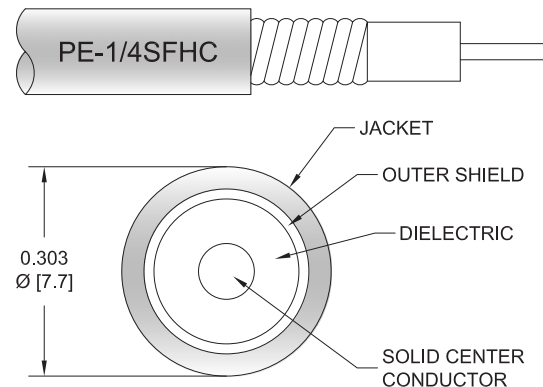
PE3W14284

Configuration

- Connector 1: 4.3-10 Male
- Connector 2: QMA Male
- Cable Type: 1/4" Superflexible
- Coax Flex Type: Corrugated

Features

- Max Frequency 6 GHz
- Low PIM: -155 dBc Max
- Shielding Effectivity > 120 dB
- 82% Phase Velocity
- PE Jacket



Applications

- General Purpose
- Laboratory Use
- Low PIM Applications

Description

Pasternack's PE3W14284 4.3-10 male to QMA male cable using 1/4 inch superflexible coax is part of our full line of RF components available for same-day shipping. Pasternack's corrugated RF cable assemblies are ideal for applications where durability and high power are needed. This Pasternack 4.3-10 to QMA cable assembly has a male to male gender configuration with 50 ohm corrugated 1/4" superflexible coax. The PE3W14284 4.3-10 male to QMA male cable assembly operates to 6 GHz. Our low PIM design also offers excellent passive intermodulation performance with PIM levels better than -155 dBc.

Custom versions of most RF cable assemblies can be built and shipped same day. Custom cable assembly lengths can be obtained by specifying the desired length on the web site at time of order or by contacting a sales representative. Other available RF cable assembly value added services include connector orientation or clocking, heat shrink booting and custom labeling. RF testing can also be performed to document the electrical performance of your cable assembly.

Electrical Specifications

Description	Minimum	Typical	Maximum	Units
Frequency Range	DC		6	GHz
VSWR			1.4:1	
Velocity of Propagation		82		%
RF Shielding	120			dB
Passive Intermodulation IM3 (2x43dBm Tones) at 850 MHz or 1900 MHz			-155	dBc
Capacitance		24.4 [80.05]		pF/ft [pF/m]
Inductance		0.059 [0.19]		uH/ft [uH/m]
DC Resistance Inner Conductor		3.2 [10.5]		Ohms/1000ft [Ohms/Km]
DC Resistance Outer Conductor		2.53 [8.3]		Ohms/1000ft [Ohms/Km]
Dielectric Withstanding Voltage (AC)			750	Vrms

4.3-10 Male to QMA Male Low PIM Cable Using 1/4 inch Superflexible Coax



PE3W14284

Electrical Specifications

Description	Minimum	Typical	Maximum	Units
Jacket Spark			2,000	Vrms

Specifications by Frequency

Part Number	Length	Description	F1	F2	F3	F4	F5	Units	Weight (lbs)
			100	250	500	1000	3000	MHz	
PE3W14284	Custom Lengths Available	Insertion Loss (Typ.)	0.016	0.027	0.039	0.058	0.107	dB/ft	
			0.06	0.09	0.13	0.2	0.36	dB/m	
PE3W14284-12	12 inch	Insertion Loss (Typ.)	0.32	0.33	0.34	0.36	0.41	dB	0.142
PE3W14284-24	24 inch	Insertion Loss (Typ.)	0.34	0.36	0.38	0.42	0.52	dB	0.184
PE3W14284-36	36 inch	Insertion Loss (Typ.)	0.35	0.39	0.42	0.48	0.63	dB	0.226
PE3W14284-48	48 inch	Insertion Loss (Typ.)	0.37	0.41	0.46	0.54	0.73	dB	0.268
PE3W14284-60	60 inch	Insertion Loss (Typ.)	0.38	0.44	0.5	0.59	0.84	dB	0.31

The insertion loss data for the base model does not include loss due to the connectors. Each length includes insertion loss due to the connectors.

Loss due to Connector 1:	0.2 dB
Loss due to Connector 2:	0.1 dB
Base Weight:	0.142 pounds
Additional Weight per Inch:	0.0035 pounds

Mechanical Specifications

Cable Assembly

Width/Diameter	0.5 in [12.7 mm]
Weight	0.142 lbs [64.41 g]

Cable

Cable Type	1/4" Superflexible
Impedance	50 Ohms
Inner Conductor Type	Solid
Inner Conductor Material and Plating	Copper Clad Aluminum
Dielectric Type	PE (F)
Number of Shields	1
Shield Layer 1	Helically Corrugated Copper Tube
Jacket Material	PE, Black
Jacket Diameter	0.303 in [7.7 mm]
One Time Minimum Bend Radius	0.5 in [12.7 mm]
Repeated Minimum Bend Radius	1 in [25.4 mm]
Typical Flex Cycles	20
Tensile Strength	79 lbs [35.83 Kg]

4.3-10 Male to QMA Male Low PIM Cable
Using 1/4 inch Superflexible Coax



PE3W14284

Connectors

Description	Connector 1	Connector 2
Type	4.3-10 Male	QMA Male
Impedance	50 Ohms	50 Ohms
Configuration	Straight	Straight
Contact Material and Plating	Brass, Silver	Brass, Silver
Dielectric Type	PTFE	PTFE
Body Material and Plating	Brass, Tri-Metal	Brass, Tri-Metal
Coupling Nut Material and Plating	Brass, Tri-Metal	Brass, Tri-Metal

Environmental Specifications

Operating Range Temperature -40 to +85 deg C

Compliance Certifications (see [product page](#) for current document)

Plotted and Other Data

Notes:

4.3-10 Male to QMA Male Low PIM Cable Using 1/4 inch Superflexible Coax



PE3W14284

Typical Performance Data

How to Order

Part Number Configuration:

PE3W14284

- xx

uu

Unit of Measure:

cm = Centimeters

<blank> = Inches

Length

Base Number

Example: PE3W14284-12 = 12 inches long cable
PE3W14284-100cm = 100 cm long cable

4.3-10 Male to QMA Male Low PIM Cable Using 1/4 inch Superflexible Coax from Pasternack Enterprises has same day shipment for domestic and International orders. Our RF, microwave and millimeter wave products maintain a 99.4% availability and are part of the broadest selection in the industry.

Click the following link (or enter part number in "SEARCH" on website) to obtain additional part information including price, inventory and certifications: [4.3-10 Male to QMA Male Low PIM Cable Using 1/4 inch Superflexible Coax PE3W14284](https://www.pasternack.com/4.3-10-male-to-qma-male-low-pim-cable-using-1-4-inch-superflexible-pe3w14284-p.aspx)

URL: <https://www.pasternack.com/4.3-10-male-to-qma-male-low-pim-cable-using-1-4-inch-superflexible-pe3w14284-p.aspx>

The information contained within this document is accurate to the best of our knowledge and representative of the part described herein. It may be necessary to make modifications to the part and/or the documentation of the part in order to implement improvements. Pasternack Enterprises reserves the right to make such changes as required. Unless otherwise stated, all specifications are nominal. Pasternack Enterprises does not make any representation or warranty regarding the suitability of the part described herein for any particular purpose, and Pasternack Enterprises does not assume liability arising out of the use of any part or document.

PE3W14284 CAD Drawing

4.3-10 Male to QMA Male Low PIM Cable Using 1/4 inch Superflexible Coax

