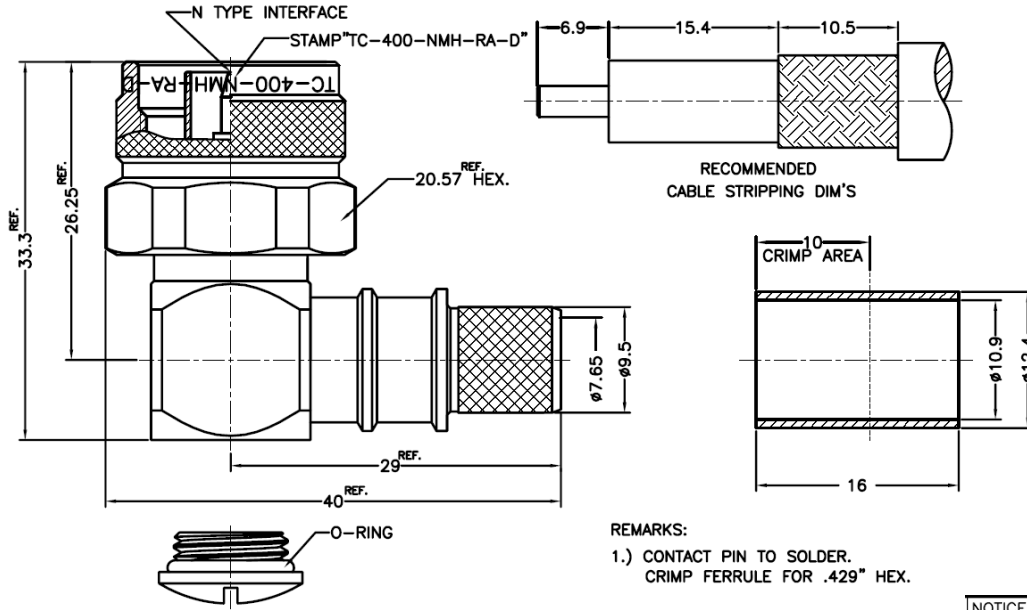


**NOTICE OF PROPRIETARY RIGHTS** THIS DOCUMENT CONTAINS CONFIDENTIAL TECHNICAL DATA, INCLUDING TRADE SECRETS, PROPRIETARY TO TIMES MICROWAVE SYSTEMS. DISCLOSURE OF THIS DATA IS EXPRESSLY CONDITIONED UPON YOUR ASSENT THAT ITS USE IS LIMITED TO USE WITHIN YOUR COMPANY ONLY. ANY OTHER USE IS STRICTLY PROHIBITED WITHOUT THE PRIOR WRITTEN CONSENT OF TIMES MICROWAVE SYSTEMS.

SYM	REVISION DESCRIPTION	DFTM	DATE	APPD	DATE
A	RELEASED FOR PRODUCTION	D. J. H.	5/30/07	J. D. B.	5/30/07
B	CHANGED PER CDC #27394	D. J. H.	10/2/07	J. D. B.	10/2/07
C	CHANGED PER CDC #27653	D. J. H.	12/6/07	J. D. B.	12/10/07
D	CHANGED PER CDC #28404	D. J. H.	5/27/08	J. D. B.	5/27/08

THIS CONNECTOR IS INDIVIDUALLY PACKAGED. FOR BULK PACKAGING, SEE 3190-2293BLK.



REMARKS:  
1.) CONTACT PIN TO SOLDER.  
CRIMP FERRULE FOR .429" HEX.

NOTICE: ALL PARTS MUST MEET TO RoHS REQUIREMENTS

MATERIALS AND PLATING UNIT: MICRO-INCHES		
BODY, SHELL	BRASS C3604	ALBALOY (COPPER-TIN-ZINC) PL.80 MIN.
CONTACT PIN	BRASS C3604	GOLD 50/ COPPER
INSULATOR	TEFLON MIL-P-19468	RED
FERRULE	COPPER	ALBALOY (COPPER-TIN-ZINC) PL.80 MIN.
GASKET	SILICONE	RED

ELECTRICAL CHARACTERISTICS	
Impedance	50 Ω
Voltage rating	1000V(rms)
Frequency range	0~11GHz
Dielectric withstanding voltage	1500V
Contact resistance	Center contact: ≤1mΩ Outer contact ≤0.25mΩ
Insulation resistance	≥5000MΩ
Insertion loss	According as the cable
RF-leakage	-90 dB up to 3 GHz
VSWR	≤1.25 (DC-2.5GHz)
3rd Intermodulation	-

(MECHANICAL CHARACTERISTICS)	
Force to engage and disengage	6 lbs MAX.
Center contact retention force	6 lbs MIN.
Coupling torque	30 in-lbs MIN.
Coupling nut retention force	100 lbs MIN.
Durability	≥ 500 cycles

ENVIRONMENTAL CHARACTERISTICS	
Temperature range	-55° C - +155° C
Thermal shock	US MIL- STD 202, Meth. 107, Cond. B
Vibration	US MIL- STD 202, Meth. 204, Cond. B
Shock	US MIL- STD 202, Meth. 213, Cond. I
Climatic class	IEC 60068 65/165/21

MATERIAL: UNLESS OTHERWISE SPECIFIED	DFTM: D, J, H.	TIMES MICROWAVE SYSTEMS	
			DATE: 5/30/07
USED ON: 0	ALL DIMENSIONS ARE IN INCHES MACHINED SURFACES FINISH N/A RMS MAX. REMOVE ALL BURRS .005 MAX. BREAK MACHINE CORNERS .005 MAX. FILLET R. TOLERANCES ON DECIMALS .XX ± 0.2 .XXX ± 0.1 ANGLES ± 3° FRACTIONS ± N/A	CHKD: J, D, B.	TC-400-NMH-RA-D
SCALE: N/A	DWG. SIZE: A	APPD: J, D, B.	90° N MALE (INDIVIDUALLY PACKAGED) FOR LMR400 CABLE
DO NOT SCALE DRAWING	CODE IDENT: 68999	DATE: 5/30/07	1 of 1 SD3190-2293 REV: D



N Male Connector Crimp/Solder Attachment for PE-C400, PE-B400, PE-B405, LMR-400, LMR-400-DB, LMR-400-UF, 0.400 inch

RF Connectors  
Technical Data Sheet

PE44522

**Configuration**

- N Male Connector
- 50 Ohms
- Straight Body Geometry
- Connector Interface Types: PE-C400, PE-B400, PE-B405, LMR-400, LMR-400-DB, LMR-400-UF, .400 inch
- 18 mm Hex

**Features**

- Max. Operating Frequency 11 GHz
- Gold Plated Brass Contact
- 15 µin minimum contact plating

**Applications**

- General Purpose Test
- Custom Cable Assemblies

**Description**

Pasternack's PE44522 type N male connector with crimp/solder attachment for PE-C400, PE-B400, PE-B405, LMR-400, LMR-400-DB, LMR-400-UF and .400 inch is part of our full line of RF components available for same-day shipping. Our type N male connector operates up to a maximum frequency of 11 GHz.

Our type N male connector PE44522 datasheet specifications and drawing with dimensions are shown below in this PDF. Pasternack's broad catalog of RF, microwave and millimeter wave connectors allows designers to configure and customize their signal connections however they like. Whether the need is to provide an I/O for a board design, or simply create a custom cable assembly configuration, Pasternack has the right connector for the job. Pasternack can also expertly build your custom cable assemblies for you and ship same-day.

**Electrical Specifications**

Description	Minimum	Typical	Maximum	Units
Frequency Range	DC		11	GHz

**Mechanical Specifications**

Size	
Length	1.48 in [37.59 mm]
Width/Dia.	0.83 in [21.08 mm]
Weight	0.075 lbs [34.02 g]

Click the following link (or enter part number in "SEARCH" on website) to obtain additional part information including price, inventory and certifications: [N Male Connector Crimp/Solder Attachment for PE-C400, PE-B400, PE-B405, LMR-400, LMR-400-DB, LMR-400-UF, 0.400 inch PE44522](#)



N Male Connector Crimp/Solder Attachment for PE-C400, PE-B400, PE-B405, LMR-400, LMR-400-DB, LMR-400-UF, 0.400 inch

## RF Connectors Technical Data Sheet

PE44522

### Material Specifications

Description	Material	Plating
Contact	Brass	Gold 15 µin minimum
Insulation	PTFE	
Body	Brass	Tri-Metal
Coupling Nut	Brass	Tri-Metal

### Environmental Specifications

#### Temperature

Operating Range -65 to +165 deg C

**Compliance Certifications** (see [product page](#) for current document)

### Plotted and Other Data

Notes:

N Male Connector Crimp/Solder Attachment for PE-C400, PE-B400, PE-B405, LMR-400, LMR-400-DB, LMR-400-UF, 0.400 inch from Pasternack Enterprises has same day shipment for domestic and International orders. Our RF, microwave and millimeter wave products maintain a 99.4% availability and are part of the broadest selection in the industry.

Click the following link (or enter part number in "SEARCH" on website) to obtain additional part information including price, inventory and certifications: [N Male Connector Crimp/Solder Attachment for PE-C400, PE-B400, PE-B405, LMR-400, LMR-400-DB, LMR-400-UF, 0.400 inch PE44522](#)

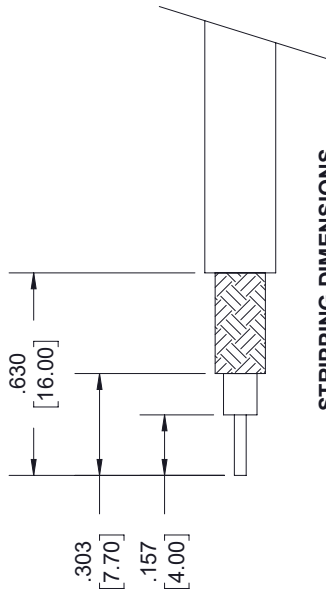
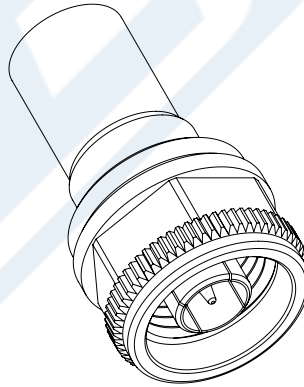
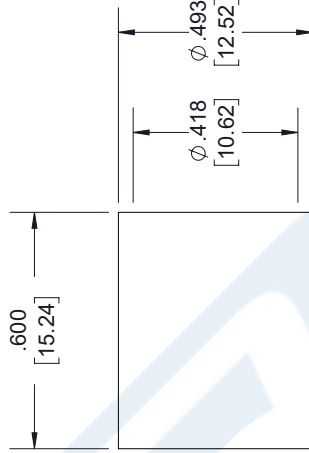
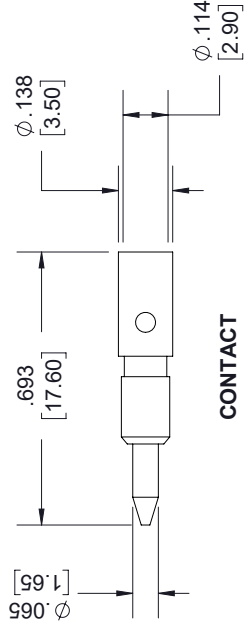
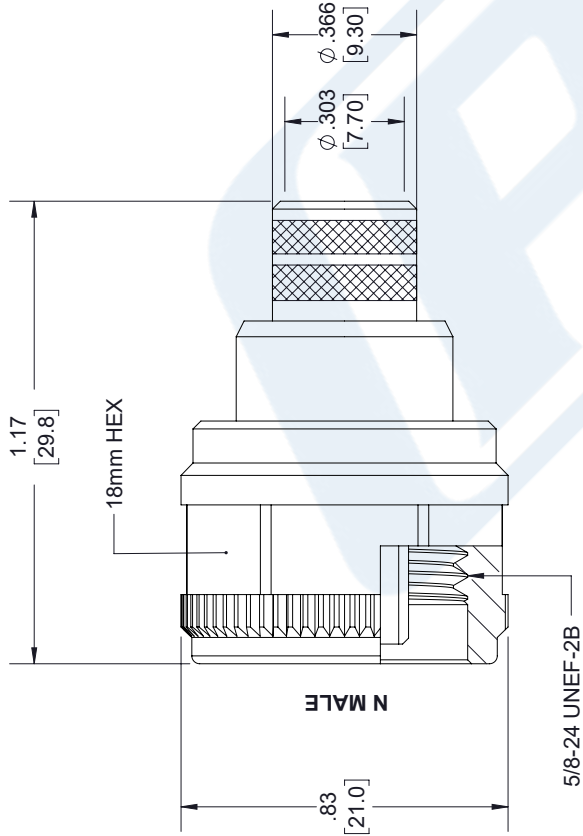
URL: <https://www.pasternack.com/n-male-standard-pe-c400-0.400-connector-pe44522-p.aspx>

The information contained in this document is accurate to the best of our knowledge and representative of the part described herein. It may be necessary to make modifications to the part and/or the documentation of the part, in order to implement improvements. Pasternack reserves the right to make such changes as required. Unless otherwise stated, all specifications are nominal. Pasternack does not make any representation or warranty regarding the suitability of the part described herein for any particular purpose, and Pasternack does not assume any liability arising out of the use of any part or documentation.

# PE44522 CAD Drawing

N Male Connector Crimp/Solder Attachment for PE-C400, PE-B400, PE-B405, LMR-400, LMR-400-DB, LMR-400-UF, 0.400 inch

REVISIONS			
REV.	DESCRIPTION	DATE	APPROVED
A	PCR PE44522	4/30/2020	S. ELLIS



## STRIPPING DIMENSIONS

### NOTES:

- CABLE ATTACHMENT:
  - OUTER: CRIMP.
  - INNER: SOLDER/CRIMP.
- CRIMP SIZE REQUIRED:
  - FERRULE: .429 [10.90] HEX. CRIMP TOOL.
  - CONTACT: .118 [3.00] HEX. CRIMP TOOL.

UNLESS OTHERWISE SPECIFIED LEADING DIMENSIONS ARE INCHES DIMENSIONS IN [ ] ARE MILLIMETERS

### TOLERANCES:

.X = ±.2 [5.08] FRACTIONS ± 1/32  
 .XX = ±.02 [.51] ANGLES ± 1°  
 .XXX = ±.005 [.13] CABLE LENGTH (L) TOLERANCES:  
 L ≤ 12 [305] = +1 [25] / -0  
 12 [305] < L ≤ 60 [1524] = +2 [51] / -0  
 60 [1524] < L ≤ 120 [3048] = +4 [102] / -0  
 120 [3048] < L ≤ 300 [7620] = +6 [152] / -0  
 300 [7620] < L = +5% / L / -0  
 ALL DIMENSIONS SHOWN ARE FOR REFERENCE ONLY.



THE INFORMATION AND DESIGN IN THIS DOCUMENT IS THE PROPERTY OF PASTERNAK CORPORATION ALL RIGHTS RESERVED.

SHEET 1 OF 1

SCALE N/A

REV A



Pasternack Enterprises, Inc.

P. O. Box 16759, Irvine, CA 92623.

Phone: 1.949.261.1920 | 1.866.727.8376

Fax: 1.949.261.7451

Website: www.pasternack.com

E-mail: sales@pasternack.com

ITEM NO. PE44522

SIZE A

CAGE CODE 53919

DRAWN BY K. DANG

REV A

## Low Loss Flexible LMR-400-UF Indoor/Outdoor Rated Coax Cable Double Shielded with Black TPE Jacket



### LMR-400-UF



## Times Microwave Systems Connector Specification

### Configuration

- Low Loss, Indoor/Outdoor Flexible Cable
- 2 Shield(s)

### Features

- Max Operating Frequency of 8 GHz
- Low Loss Cable
- Phase Velocity 85% VoP

### Applications

- Laboratory Applications
- General Purpose RF Interconnect

### Description

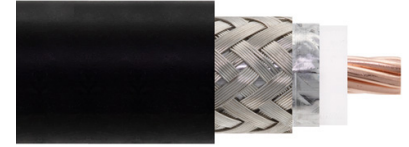
LMR-400-UF part number from Pasternack is a LMR-400-UF coax cable that is flexible. Pasternack LMR-400-UF flexible coax cable is 50 Ohm and has a PE (F) dielectric. Our LMR-400-UF coax is constructed with a 0.405 jacket made of TPE. LMR-400-UF coax has a shield count of 2, a RF shielding of 90 dB and the maximum frequency for this Pasternack cable is 8 GHz. LMR-400-UF coax cable has an attenuation at 1 GHz of 5 dB.

Pasternack LMR-400-UF coax cables are part of over 40,000 RF, microwave and millimeter wave components. LMR-400-UF cables and our other RF parts are available for same day shipping worldwide. Custom RF cable assemblies using LMR-400-UF or other coax can be built and shipped same day as well.

### Electrical Specifications

Description	Minimum	Typical	Maximum	Units
Frequency Range	DC		8	GHz
Cutoff Frequency		16.2		GHz
Impedance		50		Ohms
Velocity of Propagation		85		%
Time Delay		1.2 [3.94]		ns/ft [ns/m]
Shielding Effectiveness	90			dB
Dielectric Withstanding Voltage (DC)			2,500	Vdc
Jacket Spark			8,000	Vrms
Inner Conductor DC Resistance			1.07	Ohms/1000ft
Outer Conductor DC Resistance			1.65	Ohms/1000ft
Nominal Capacitance		23.9 [78.41]		pF/ft [pF/m]
Nominal Inductance		0.06 [0.2]		uH/ft [uH/m]
Input Power (Peak)			16	kWatts

Low Loss Flexible LMR-400-UF Indoor/Outdoor Rated  
Coax Cable Double Shielded with Black TPE Jacket



**LMR-400-UF**

**Performance by Frequency Band**

Description	F1	F2	F3	F4	F5	Units
Frequency	50	150	220	450	900	MHz
Attenuation, Typ	1.1	1.8	2.2	3.3	4.7	dB/100ft
	3.61	5.91	7.22	10.83	15.42	dB/100m
Input Power (CW), Max	2,140	1,220	1,000	690	480	Watts

Description	F6	F7	F8	F9	F10	Units
Frequency	1.5	1.8	2	2.5	8	GHz
Attenuation, Typ	6.2	6.8	7.2	8.1	13	dB/100ft
	20.34	22.31	23.62	26.57	42.65	dB/100m
Input Power (CW), Max	360	330	310	280	170	Watts

**Mechanical Specifications**

Diameter	0.405 in [10.29 mm]
Weight	0.087 lbs/ft [0.13 kg/m]
Min. Bend Radius (Installation)	1 in [25.4 mm]
Min. Bend Radius (Repeated)	4 in [101.6 mm]
Bending Moment	0.38 lbs-ft [0.52 N-m]
Tensile Strength	160 lbs [72.57 kg]
Flat Plate Crush	20 lbs/in [0.36 kg/mm]

**Construction Specifications**

Description	Material and Plating	Diameter
Inner Conductor	Copper, Strand	0.108 in [2.74 mm]
Conductor Type	Stranded	
Dielectric	PE (F)	0.285 in [7.24 mm]
First Shield	Aluminum Tape	
Second Shield	Tinned Copper Braid	
Jacket	TPE, Black	0.405 in [10.29 mm]

**Environmental Specifications**

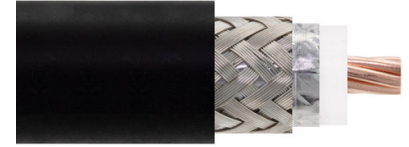
<b>Temperature</b>	
Operating Range	-40 to +85 deg C
Storage Range	-70 to +85 deg C

**Compliance Certifications** (see [product page](#) for current document)

**Plotted and Other Data**

Notes:

## Low Loss Flexible LMR-400-UF Indoor/Outdoor Rated Coax Cable Double Shielded with Black TPE Jacket



### LMR-400-UF

Low Loss Flexible LMR-400-UF Indoor/Outdoor Rated Coax Cable Double Shielded with Black TPE Jacket from Pasternack Enterprises has same day shipment for domestic and International orders. Our RF, microwave and millimeter wave products maintain a 99.4% availability and are part of the broadest selection in the industry.

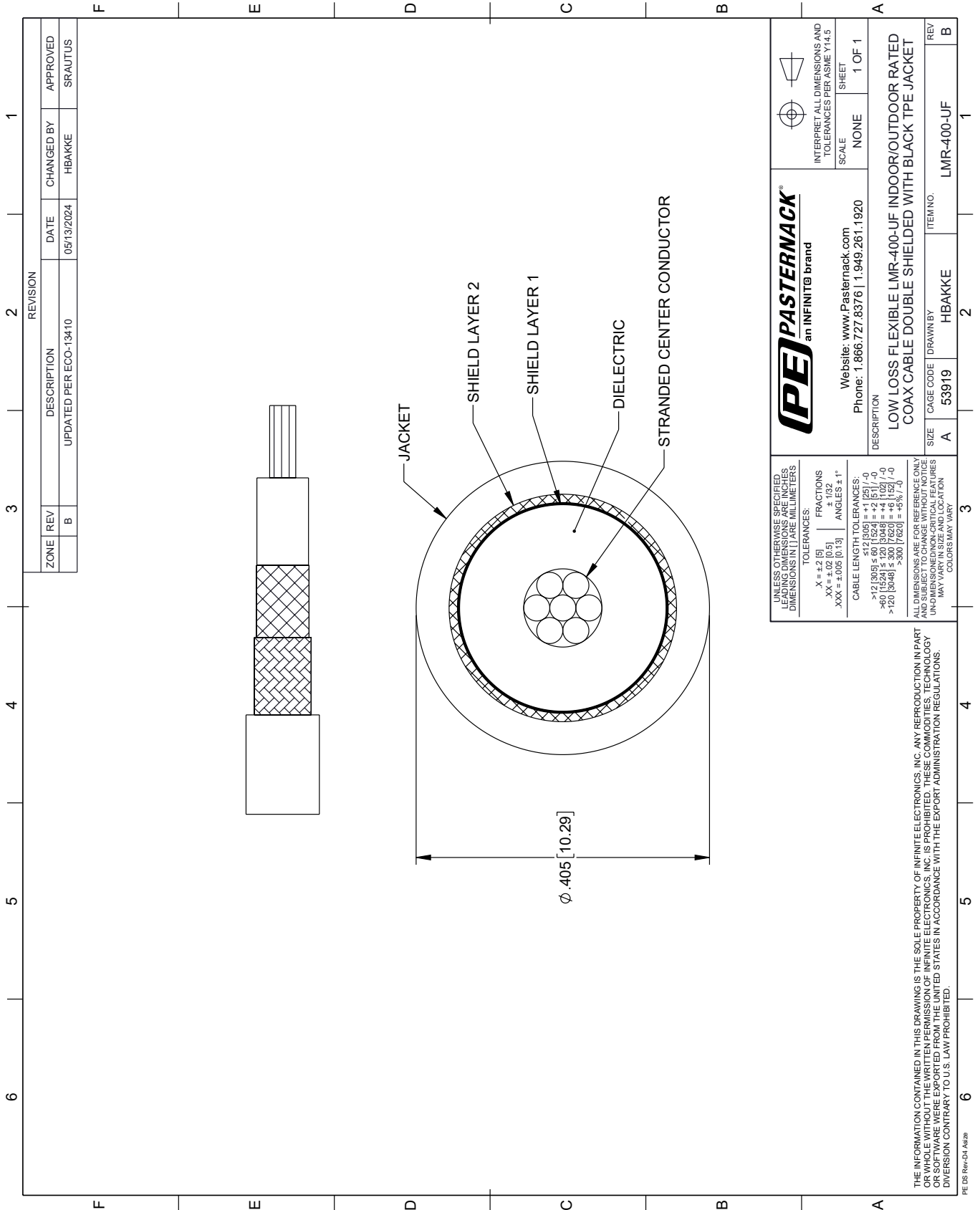
Click the following link (or enter part number in "SEARCH" on website) to obtain additional part information including price, inventory and certifications: [Low Loss Flexible LMR-400-UF Indoor/Outdoor Rated Coax Cable Double Shielded with Black TPE Jacket LMR-400-UF](#)

URL: <https://www.pasternack.com/50-ohm-low-loss-flexible-lmr400uf-tpe-jacket-double-shielded-lmr-400-uf-p.aspx>

The information contained within this document is accurate to the best of our knowledge and representative of the part described herein. It may be necessary to make modifications to the part and/or the documentation of the part in order to implement improvements. Pasternack Enterprises reserves the right to make such changes as required. Unless otherwise stated, all specifications are nominal. Pasternack Enterprises does not make any representation or warranty regarding the suitability of the part described herein for any particular purpose, and Pasternack Enterprises does not assume liability arising out of the use of any part or document.

# LMR-400-UF CAD Drawing

Low Loss Flexible LMR-400-UF Indoor/Outdoor Rated Coax Cable Double Shielded with Black TPE Jacket



REVISION		DATE	CHANGED BY	APPROVED
ZONE	REV	DESCRIPTION		
	B	UPDATED PER ECO-13410	HBAKKE	SRAUTUS

**(PE) PASTERNAK®**  
an INFINITE® brand

Website: [www.Pasternack.com](http://www.Pasternack.com)  
Phone: 1.866.727.8376 | 1.949.261.1920

INTERPRET ALL DIMENSIONS AND TOLERANCES PER ASME Y14.5  
SCALE NONE  
SHEET 1 OF 1

UNLESS OTHERWISE SPECIFIED, LEADING DIMENSIONS ARE IN INCHES AND DIMENSIONS IN [ ] ARE MILLIMETERS  
TOLERANCES:  
.X = ±.2 [5]      FRACTIONS ± 1/32  
.XX = ±.02 [0.5]      ANGLES ± 1°  
.XXX = ±.005 [0.13]

CABLE LENGTH TOLERANCES:  
>12 [305] ≤ 60 [1524] = ±.1 [2.5] / -0  
>60 [1524] ≤ 120 [3048] = ±.4 [10.2] / -0  
>120 [3048] ≤ 300 [7620] = ±.8 [20.3] / -0

ALL DIMENSIONS ARE FOR REFERENCE ONLY. UNLESS OTHERWISE SPECIFIED, DIMENSIONS ARE IN INCHES AND DIMENSIONS IN [ ] ARE MILLIMETERS. COLORS MAY VARY.

DESCRIPTION: LOW LOSS FLEXIBLE LMR-400-UF INDOOR/OUTDOOR RATED COAX CABLE DOUBLE SHIELDED WITH BLACK TPE JACKET

SIZE	CAGE CODE	DRAWN BY	ITEM NO.
A	53919	HBAKKE	LMR-400-UF

THE INFORMATION CONTAINED IN THIS DRAWING IS THE SOLE PROPERTY OF INFINITE ELECTRONICS, INC. ANY REPRODUCTION IN PART OR WHOLE WITHOUT THE WRITTEN PERMISSION OF INFINITE ELECTRONICS, INC. IS PROHIBITED. THESE COMMODITIES, TECHNOLOGY OR SERVICES WERE EXPORTED FROM THE UNITED STATES IN ACCORDANCE WITH THE EXPORT ADMINISTRATION REGULATIONS. DIVISION CONTRARY TO U.S. LAW PROHIBITED.

PE DS Rev-04 Add2