

Plenum 7/16 DIN Male to 7/16 DIN Male Low PIM
Cable 150 CM Length Using SPP-500-LLPL Coax



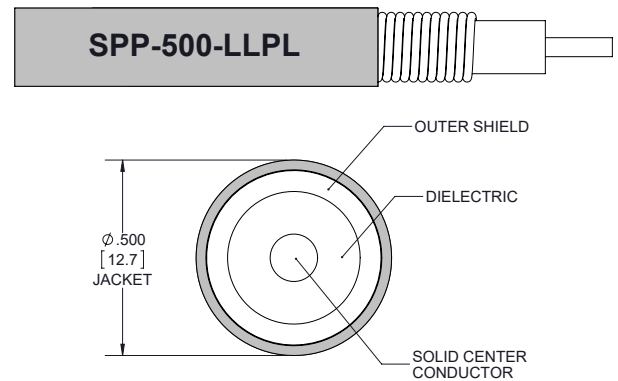
PE3W15978-150CM

Configuration

- Connector 1: 7/16 DIN Male
- Connector 2: 7/16 DIN Male
- Cable Type: SPP-500-LLPL
- Coax Flex Type: Corrugated

Features

- Max Frequency 3 GHz
- Low PIM: -160 dBc Max
- 76% Phase Velocity
- FEP Jacket



Applications

- General Purpose
- Laboratory Use
- Low PIM Applications

Description

Pasternack's PE3W15978-150CM 7/16 DIN male to 7/16 DIN male 150 cm cable using SPP-500-LLPL coax is part of our full line of RF components available for same-day shipping. Pasternack's corrugated RF cable assemblies are ideal for applications where durability and high power are needed. This Pasternack 7/16 DIN to 7/16 DIN cable assembly has a male to male gender configuration with 50 ohm corrugated SPP-500-LLPL coax. The PE3W15978-150CM 7/16 DIN male to 7/16 DIN male cable assembly operates to 3 GHz. Our low PIM design also offers excellent passive intermodulation performance with PIM levels better than -160 dBc.

Custom versions of most RF cable assemblies can be built and shipped same day. Custom cable assembly lengths can be obtained by specifying the desired length on the web site at time of order or by contacting a sales representative. Other available RF cable assembly value added services include connector orientation or clocking, heat shrink booting and custom labeling. RF testing can also be performed to document the electrical performance of your cable assembly.

Electrical Specifications

Description	Minimum	Typical	Maximum	Units
Frequency Range	DC		3	GHz
VSWR			1.5:1	
Velocity of Propagation		76		%
Passive Intermodulation IM3 (2x43dBm Tones) at 850 MHz or 1900 MHz			-160	dBc
Capacitance		26.2 [85.96]		pF/ft [pF/m]

Specifications by Frequency

Plenum 7/16 DIN Male to 7/16 DIN Male Low PIM
Cable 150 CM Length Using SPP-500-LLPL Coax



PE3W15978-150CM

Part Number	Length	Description	F1	F2	F3	Units	Weight (lbs)
			Frequency	500	1000	3000	
PE3W15978	Custom Lengths Available	Insertion Loss (Typ.)	0.023	0.034	0.065	dB/ft	
			0.08	0.12	0.22	dB/m	
PE3W15978-24	24 In	Insertion Loss (Typ.)	0.25	0.27	0.33	dB	0.912
PE3W15978-48	48 In	Insertion Loss (Typ.)	0.3	0.34	0.46	dB	1.224
PE3W15978-60	60 In	Insertion Loss (Typ.)	0.32	0.37	0.53	dB	1.38
PE3W15978-150CM	150 CM	Insertion Loss (Typ.)	0.32	0.37	0.52	dB	1.368
PE3W15978-200CM	200 CM	Insertion Loss (Typ.)	0.36	0.43	0.63	dB	1.624

The insertion loss data for the base model does not include loss due to the connectors. Each length includes insertion loss due to the connectors.

Loss due to Connector 1:	0.1 dB
Loss due to Connector 2:	0.1 dB
Base Weight:	0.756 pounds
Additional Weight per Inch:	0.013 pounds

Mechanical Specifications

Cable Assembly

Length	59.0551 in [150 cm]
Width/Diameter	.5 in [12.7 mm]
Weight	1.368 lbs [620.51 g]

Cable

Cable Type	SPP-500-LLPL
Impedance	50 Ohms
Inner Conductor Type	Solid
Inner Conductor Material and Plating	Copper Clad Aluminum
Dielectric Type	PTFE
Number of Shields	1
Outer Conductor 1 Material and Plating	Copper
Jacket Material	FEP, Blue
Jacket Diameter	0.5 in [12.7 mm]
One Time Minimum Bend Radius	1.5 in [38.1 mm]

Plenum 7/16 DIN Male to 7/16 DIN Male Low PIM
Cable 150 CM Length Using SPP-500-LLPL Coax



PE3W15978-150CM

Connectors

Description	Connector 1	Connector 2
Type	7/16 DIN Male	7/16 DIN Male
Specification	IEC 61169-4	IEC 61169-4
Impedance	50 Ohms	50 Ohms
Configuration	Straight	Straight
Contact Material and Plating	Spring Copper, Silver	Spring Copper, Silver
Contact Plating Specification	5 µm minimum	5 µm minimum
Dielectric Type	TPX	TPX
Outer Conductor Material and Plating	Brass, Nickel	Brass, Nickel
Outer Conductor Plating Specification	5 µm minimum	5 µm minimum
Body Material and Plating	Brass, Tri-Metal	Brass, Tri-Metal
Body Plating Specification	2 µm minimum	2 µm minimum
Coupling Nut Material and Plating	Brass, Nickel	Brass, Nickel
Coupling Nut Plating Specification	5 µm minimum	5 µm minimum
Hex Size	32 mm	32 mm
Torque	18.417 ft-lbs 24.97 Nm	18.417 ft-lbs 24.97 Nm

Environmental Specifications

Operating Range Temperature -40 to +85 deg C

Compliance Certifications (see [product page](#) for current document)

Plotted and Other Data

Notes:

Plenum 7/16 DIN Male to 7/16 DIN Male Low PIM
Cable 150 CM Length Using SPP-500-LLPL Coax



PE3W15978-150CM

Typical Performance Data

How to Order

Part Number Configuration:

PE3W15978

- **xx**

uu

Unit of Measure:

cm = Centimeters

<blank> = Inches

Length

Base Number

Example: PE3W15978-12 = 12 inches long cable
PE3W15978-100cm = 100 cm long cable

Plenum 7/16 DIN Male to 7/16 DIN Male Low PIM Cable 150 CM Length Using SPP-500-LLPL Coax from Pasternack Enterprises has same day shipment for domestic and International orders. Our RF, microwave and millimeter wave products maintain a 99.4% availability and are part of the broadest selection in the industry.

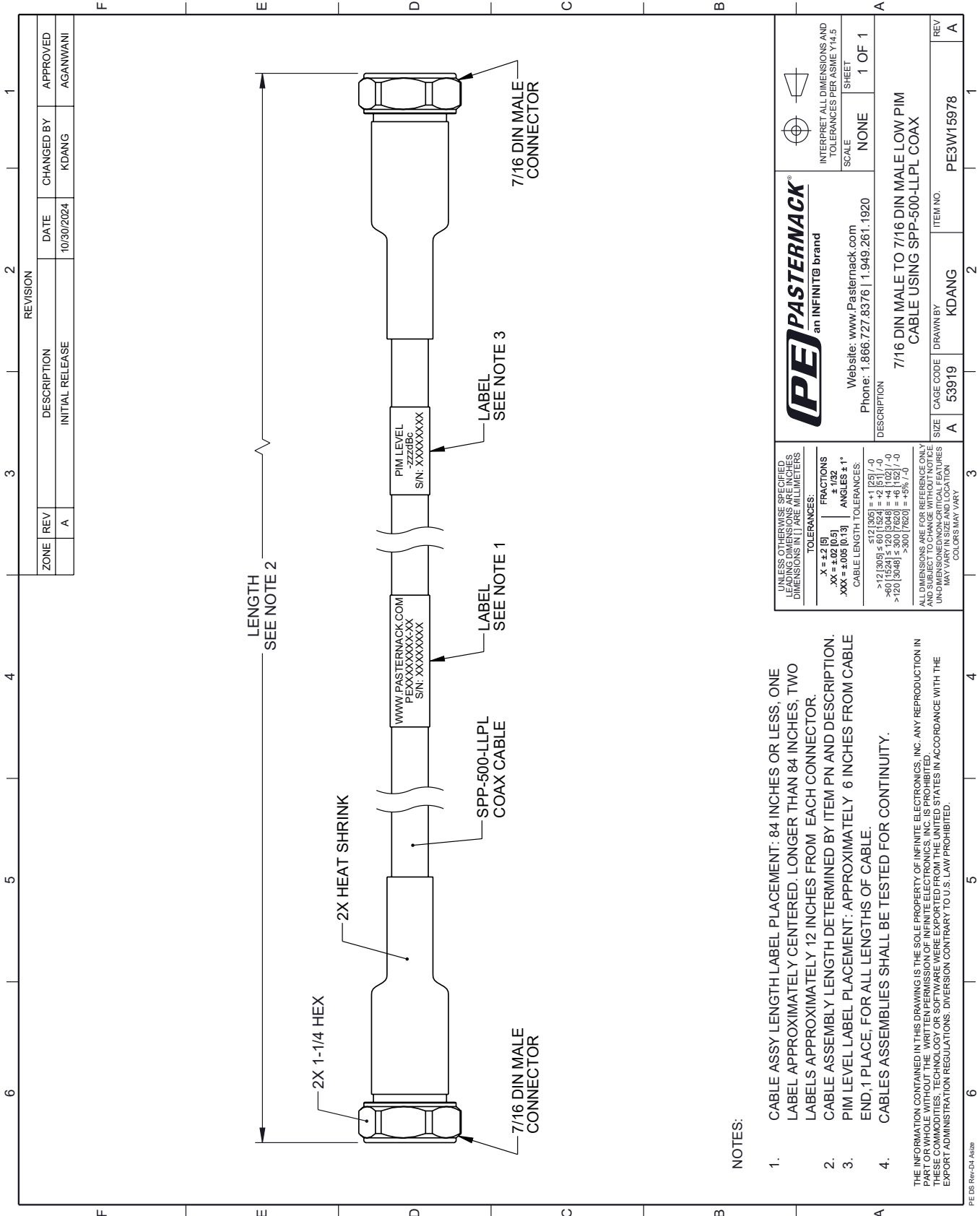
Click the following link (or enter part number in "SEARCH" on website) to obtain additional part information including price, inventory and certifications: [Plenum 7/16 DIN Male to 7/16 DIN Male Low PIM Cable 150 CM Length Using SPP-500-LLPL Coax PE3W15978-150CM](https://www.pasternack.com/plenum-7-16-din-male-to-7-16-din-male-low-pim-cable-150-cm-length-using-spp-500-llpl-coax-pe3w15978-150cm-p.aspx)


URL: <https://www.pasternack.com/plenum-7-16-din-male-to-7-16-din-male-low-pim-cable-150-cm-length-using-spp-500-llpl-pe3w15978-150cm-p.aspx>

The information contained within this document is accurate to the best of our knowledge and representative of the part described herein. It may be necessary to make modifications to the part and/or the documentation of the part in order to impliment improvements. Pasternack Enterprises reserves the right to make such changes as required. Unless otherwise stated, all specifications are nominal. Pasternack Enterprises does not make any representation or warranty regarding the suitability of the part described herein for any particular purpose, and Pasternack Enterprises does not assume liability arising out of the use of any part or document.

PE3W15978-150CM CAD Drawing

Plenum 7/16 DIN Male to 7/16 DIN Male Low PIM Cable 150 CM Length Using SPP-500-LLPL Coax



 PASTERNAK an INFINITB brand		INTERPRET ALL DIMENSIONS AND TOLERANCES PER ASME Y14.5 SCALE: NONE SHEET: 1 OF 1
Website: www.Pastermack.com Phone: 1.866.727.8376 1.949.261.1920		
DESCRIPTION: 7/16 DIN MALE TO 7/16 DIN MALE LOW PIM CABLE USING SPP-500-LLPL COAX		
SIZE: A	CAGE CODE: 53919	DRAWN BY: KDANG
ITEM NO.: PE3W15978		REV: A

UNLESS OTHERWISE SPECIFIED, LEADING DIMENSIONS ARE IN INCHES. DIMENSIONS IN [] ARE MILLIMETERS.

TOLERANCES:

.X = ±.2 [5]	FRACTIONS ± 1/32
.XX = ±.02 [0.5]	ANGLES ± 1°
.XXX = ±.005 [0.13]	CABLE LENGTH TOLERANCES:

<12 [305] ±.12 [3.05] = +1 [25] / -0
 >12 [305] ±.60 [15.24] = +2 [51] / -0
 >40 [1024] ±.120 [3.048] = +4 [102] / -0
 >120 [3048] ±.300 [7.620] = +5% [1.9]

ALL DIMENSIONS ARE FOR REFERENCE ONLY. UNDIMENSIONED NON-CRITICAL FEATURES MAY VARY IN SIZE AND LOCATION. COLORS MAY VARY.