

Plenum 7/16 DIN Male to 7/16 DIN Male Low PIM
Cable 24 Inch Length Using SPP-500-LLPL Coax



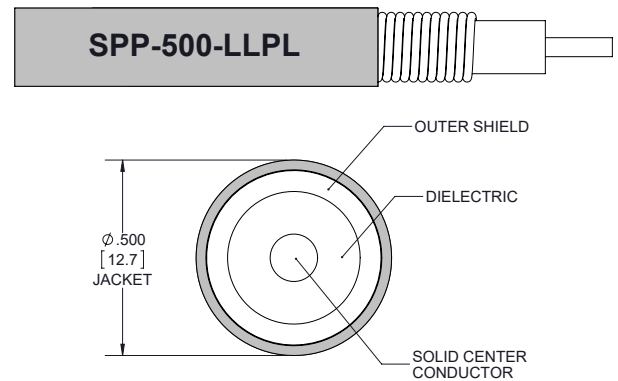
PE3W15978-24

Configuration

- Connector 1: 7/16 DIN Male
- Connector 2: 7/16 DIN Male
- Cable Type: SPP-500-LLPL
- Coax Flex Type: Corrugated

Features

- Max Frequency 3 GHz
- Low PIM: -160 dBc Max
- 76% Phase Velocity
- FEP Jacket



Applications

- General Purpose
- Laboratory Use
- Low PIM Applications

Description

Pasternack's PE3W15978-24 7/16 DIN male to 7/16 DIN male 24 inch cable using SPP-500-LLPL coax is part of our full line of RF components available for same-day shipping. Pasternack's corrugated RF cable assemblies are ideal for applications where durability and high power are needed. This Pasternack 7/16 DIN to 7/16 DIN cable assembly has a male to male gender configuration with 50 ohm corrugated SPP-500-LLPL coax. The PE3W15978-24 7/16 DIN male to 7/16 DIN male cable assembly operates to 3 GHz. Our low PIM design also offers excellent passive intermodulation performance with PIM levels better than -160 dBc.

Custom versions of most RF cable assemblies can be built and shipped same day. Custom cable assembly lengths can be obtained by specifying the desired length on the web site at time of order or by contacting a sales representative. Other available RF cable assembly value added services include connector orientation or clocking, heat shrink booting and custom labeling. RF testing can also be performed to document the electrical performance of your cable assembly.

Electrical Specifications

| Description | Minimum | Typical | Maximum | Units |
|---|---------|--------------|---------|--------------|
| Frequency Range | DC | | 3 | GHz |
| VSWR | | | 1.5:1 | |
| Velocity of Propagation | | 76 | | % |
| Passive Intermodulation IM3 (2x43dBm Tones) at 850 MHz or 1900 MHz | | | -160 | dBc |
| Capacitance | | 26.2 [85.96] | | pF/ft [pF/m] |

Specifications by Frequency

Plenum 7/16 DIN Male to 7/16 DIN Male Low PIM
Cable 24 Inch Length Using SPP-500-LLPL Coax



PE3W15978-24

| Part Number | Length | Description | F1 | F2 | F3 | Units | Weight (lbs) |
|-----------------|--------------------------|-----------------------|-----------|-------|-------|-------|--------------|
| | | | Frequency | 500 | 1000 | 3000 | |
| PE3W15978 | Custom Lengths Available | Insertion Loss (Typ.) | 0.023 | 0.034 | 0.065 | dB/ft | |
| | | | 0.08 | 0.12 | 0.22 | dB/m | |
| PE3W15978-24 | 24 In | Insertion Loss (Typ.) | 0.25 | 0.27 | 0.33 | dB | 0.912 |
| PE3W15978-48 | 48 In | Insertion Loss (Typ.) | 0.3 | 0.34 | 0.46 | dB | 1.224 |
| PE3W15978-60 | 60 In | Insertion Loss (Typ.) | 0.32 | 0.37 | 0.53 | dB | 1.38 |
| PE3W15978-150CM | 150 CM | Insertion Loss (Typ.) | 0.32 | 0.37 | 0.52 | dB | 1.368 |
| PE3W15978-200CM | 200 CM | Insertion Loss (Typ.) | 0.36 | 0.43 | 0.63 | dB | 1.624 |

The insertion loss data for the base model does not include loss due to the connectors. Each length includes insertion loss due to the connectors.

Loss due to Connector 1: 0.1 dB
 Loss due to Connector 2: 0.1 dB
 Base Weight: 0.756 pounds
 Additional Weight per Inch: 0.013 pounds

Mechanical Specifications

Cable Assembly

Length 24 in [609.6 mm]
 Width/Diameter .5 in [12.7 mm]
 Weight 0.912 lbs [413.68 g]

Cable

Cable Type SPP-500-LLPL
 Impedance 50 Ohms
 Inner Conductor Type Solid
 Inner Conductor Material and Plating Copper Clad Aluminum
 Dielectric Type PTFE
 Number of Shields 1
 Outer Conductor 1 Material and Plating Copper
 Jacket Material FEP, Blue
 Jacket Diameter 0.5 in [12.7 mm]
 One Time Minimum Bend Radius 1.5 in [38.1 mm]

Plenum 7/16 DIN Male to 7/16 DIN Male Low PIM
Cable 24 Inch Length Using SPP-500-LLPL Coax



PE3W15978-24

Connectors

| Description | Connector 1 | Connector 2 |
|---------------------------------------|------------------------|------------------------|
| Type | 7/16 DIN Male | 7/16 DIN Male |
| Specification | IEC 61169-4 | IEC 61169-4 |
| Impedance | 50 Ohms | 50 Ohms |
| Configuration | Straight | Straight |
| Contact Material and Plating | Spring Copper, Silver | Spring Copper, Silver |
| Contact Plating Specification | 5 µm minimum | 5 µm minimum |
| Dielectric Type | TPX | TPX |
| Outer Conductor Material and Plating | Brass, Nickel | Brass, Nickel |
| Outer Conductor Plating Specification | 5 µm minimum | 5 µm minimum |
| Body Material and Plating | Brass, Tri-Metal | Brass, Tri-Metal |
| Body Plating Specification | 2 µm minimum | 2 µm minimum |
| Coupling Nut Material and Plating | Brass, Nickel | Brass, Nickel |
| Coupling Nut Plating Specification | 5 µm minimum | 5 µm minimum |
| Hex Size | 32 mm | 32 mm |
| Torque | 18.417 ft-lbs 24.97 Nm | 18.417 ft-lbs 24.97 Nm |

Environmental Specifications

Operating Range Temperature -40 to +85 deg C

Compliance Certifications (see [product page](#) for current document)

Plotted and Other Data

Notes:

Plenum 7/16 DIN Male to 7/16 DIN Male Low PIM
Cable 24 Inch Length Using SPP-500-LLPL Coax



PE3W15978-24

Typical Performance Data

How to Order

Part Number Configuration:

PE3W15978

- **xx**

uu

Unit of Measure:

cm = Centimeters

<blank> = Inches

Length

Base Number

Example: PE3W15978-12 = 12 inches long cable
PE3W15978-100cm = 100 cm long cable

Plenum 7/16 DIN Male to 7/16 DIN Male Low PIM Cable 24 Inch Length Using SPP-500-LLPL Coax from Pasternack Enterprises has same day shipment for domestic and International orders. Our RF, microwave and millimeter wave products maintain a 99.4% availability and are part of the broadest selection in the industry.

Click the following link (or enter part number in "SEARCH" on website) to obtain additional part information including price, inventory and certifications: [Plenum 7/16 DIN Male to 7/16 DIN Male Low PIM Cable 24 Inch Length Using SPP-500-LLPL Coax PE3W15978-24](https://www.pasternack.com/plenum-7-16-din-male-to-7-16-din-male-low-pim-cable-24-inch-length-using-spp-500-llpl-pe3w15978-24-p.aspx)

URL: <https://www.pasternack.com/plenum-7-16-din-male-to-7-16-din-male-low-pim-cable-24-inch-length-using-spp-500-llpl-pe3w15978-24-p.aspx>

The information contained within this document is accurate to the best of our knowledge and representative of the part described herein. It may be necessary to make modifications to the part and/or the documentation of the part in order to impliment improvements. Pasternack Enterprises reserves the right to make such changes as required. Unless otherwise stated, all specifications are nominal. Pasternack Enterprises does not make any representation or warranty regarding the suitability of the part described herein for any particular purpose, and Pasternack Enterprises does not assume liability arising out of the use of any part or document.

