

NEX10 Male to NEX10 Male Right Angle Low PIM Cable 50 CM Length Using SPP-250-LLPL Coax



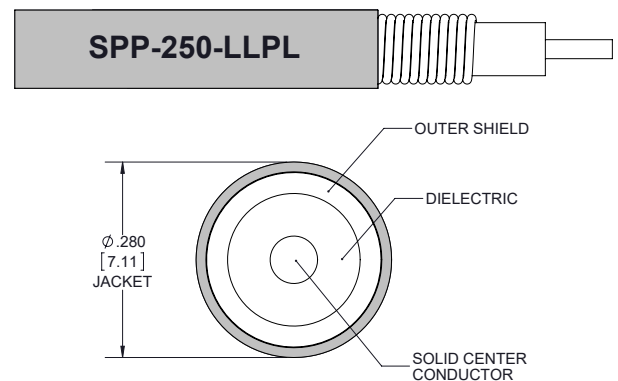
PE3W17873-50CM

Configuration

- Connector 1: NEX10 Male
- Connector 2: NEX10 Male Right Angle
- Cable Type: SPP-250-LLPL
- Coax Flex Type: Corrugated

Features

- Max Frequency 5.8 GHz
- Low PIM: -160 dBc Max
- Shielding Effectivity > 100 dB
- 76% Phase Velocity
- FEP Jacket



Applications

- General Purpose
- Laboratory Use
- Low PIM Applications

Description

Pasternack's PE3W17873-50CM NEX10 male to NEX10 male right angle 48.3 cm cable using SPP-250-LLPL coax is part of our full line of RF components available for same-day shipping. Pasternack's corrugated RF cable assemblies are ideal for applications where durability and high power are needed. This Pasternack NEX10 to NEX10 cable assembly has a male to male gender configuration with 50 ohm corrugated SPP-250-LLPL coax. The PE3W17873-50CM NEX10 male to NEX10 male cable assembly operates to 5.8 GHz. Our low PIM design also offers excellent passive intermodulation performance with PIM levels better than -160 dBc. The right angle NEX10 interface on the SPP-250-LLPL cable allows for easier connections in tight spaces.

Custom versions of most RF cable assemblies can be built and shipped same day. Custom cable assembly lengths can be obtained by specifying the desired length on the web site at time of order or by contacting a sales representative. Other available RF cable assembly value added services include connector orientation or clocking, heat shrink booting and custom labeling. RF testing can also be performed to document the electrical performance of your cable assembly.

Electrical Specifications

Description	Minimum	Typical	Maximum	Units
Frequency Range	DC		5.8	GHz
VSWR			1.4:1	
Velocity of Propagation		76		%
RF Shielding	100			dB
Passive Intermodulation IM3 (2x43dBm Tones) at 850 MHz or 1900 MHz			-160	dBc
Capacitance		27 [88.58]		pF/ft [pF/m]
Inductance		0.067 [0.22]		uH/ft [uH/m]
DC Resistance Inner Conductor		3 [9.84]		Ohms/1000ft [Ohms/Km]

Specifications by Frequency

NEX10 Male to NEX10 Male Right Angle Low PIM
Cable 50 CM Length Using SPP-250-LLPL Coax



PE3W17873-50CM

Part Number	Length	Description	F1	F2	F3	F4	F5	Units	Weight (lbs)
			Frequency	450	500	1000	2500	5800	
PE3W17873	Custom Lengths Available	Insertion Loss (Typ.)	0.04	0.04	0.054	0.093	0.148	dB/ft	
			0.13	0.13	0.18	0.31	0.49	dB/m	
PE3W17873-12	12 inch	Insertion Loss (Typ.)	0.34	0.34	0.36	0.4	0.45	dB	0.12
PE3W17873-24	24 inch	Insertion Loss (Typ.)	0.38	0.38	0.41	0.49	0.6	dB	0.191
PE3W17873-36	36 inch	Insertion Loss (Typ.)	0.42	0.42	0.47	0.58	0.75	dB	0.261
PE3W17873-60	60 inch	Insertion Loss (Typ.)	0.49	0.5	0.57	0.77	1.04	dB	0.401
PE3W17873-50CM	50 CM	Insertion Loss (Typ.)	0.37	0.37	0.39	0.46	0.55	dB	0.165

The insertion loss data for the base model does not include loss due to the connectors. Each length includes insertion loss due to the connectors.

Loss due to Connector 1: 0.1 dB
 Loss due to Connector 2: 0.2 dB
 Base Weight: 0.12 pounds
 Additional Weight per Inch: 0.00584 pounds

Mechanical Specifications

Cable Assembly

Length 19.685 in [500 mm]
 Width/Diameter 0.5 in [12.7 mm]
 Weight 0.165 lbs [74.84 g]

Cable

Cable Type SPP-250-LLPL
 Impedance 50 Ohms
 Inner Conductor Type Solid
 Inner Conductor Material and Plating Copper
 Dielectric Type PTFE
 Number of Shields 1
 Outer Conductor 1 Material and Plating Copper
 Jacket Material FEP, Blue
 Jacket Diameter 0.28 in [7.11 mm]
 One Time Minimum Bend Radius 1.25 in [31.75 mm]
 Bending Moment 0.8 lbs-ft [1.08 N-m]

NEX10 Male to NEX10 Male Right Angle Low PIM
Cable 50 CM Length Using SPP-250-LLPL Coax



PE3W17873-50CM

Connectors

Description	Connector 1	Connector 2
Type	NEX10 Male	NEX10 Male Right Angle
Impedance	50 Ohms	50 Ohms
Configuration	Straight	Right Angle
Contact Material and Plating	Brass, Silver	Brass, Silver
Dielectric Type	PTFE	PTFE
Body Material and Plating	Brass, Tri-Metal	Brass, Tri-Metal
Coupling Nut Material and Plating	Brass, Tri-Metal	Brass, Tri-Metal

Environmental Specifications

Operating Range Temperature -40 to +155 deg C

Compliance Certifications (see [product page](#) for current document)

Plotted and Other Data

Notes:

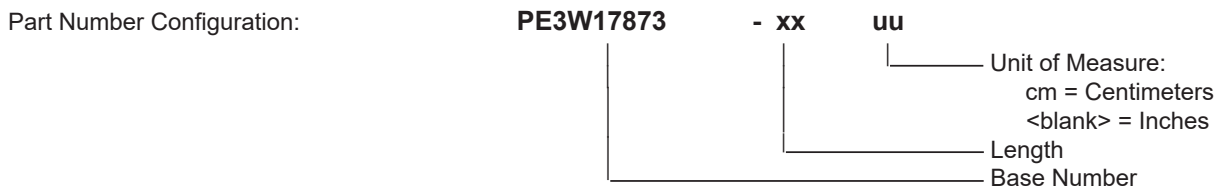
NEX10 Male to NEX10 Male Right Angle Low PIM Cable 50 CM Length Using SPP-250-LLPL Coax



PE3W17873-50CM

Typical Performance Data

How to Order



Example: PE3W17873-12 = 12 inches long cable
 PE3W17873-100cm = 100 cm long cable

NEX10 Male to NEX10 Male Right Angle Low PIM Cable 50 CM Length Using SPP-250-LLPL Coax from Pasternack Enterprises has same day shipment for domestic and International orders. Our RF, microwave and millimeter wave products maintain a 99.4% availability and are part of the broadest selection in the industry.

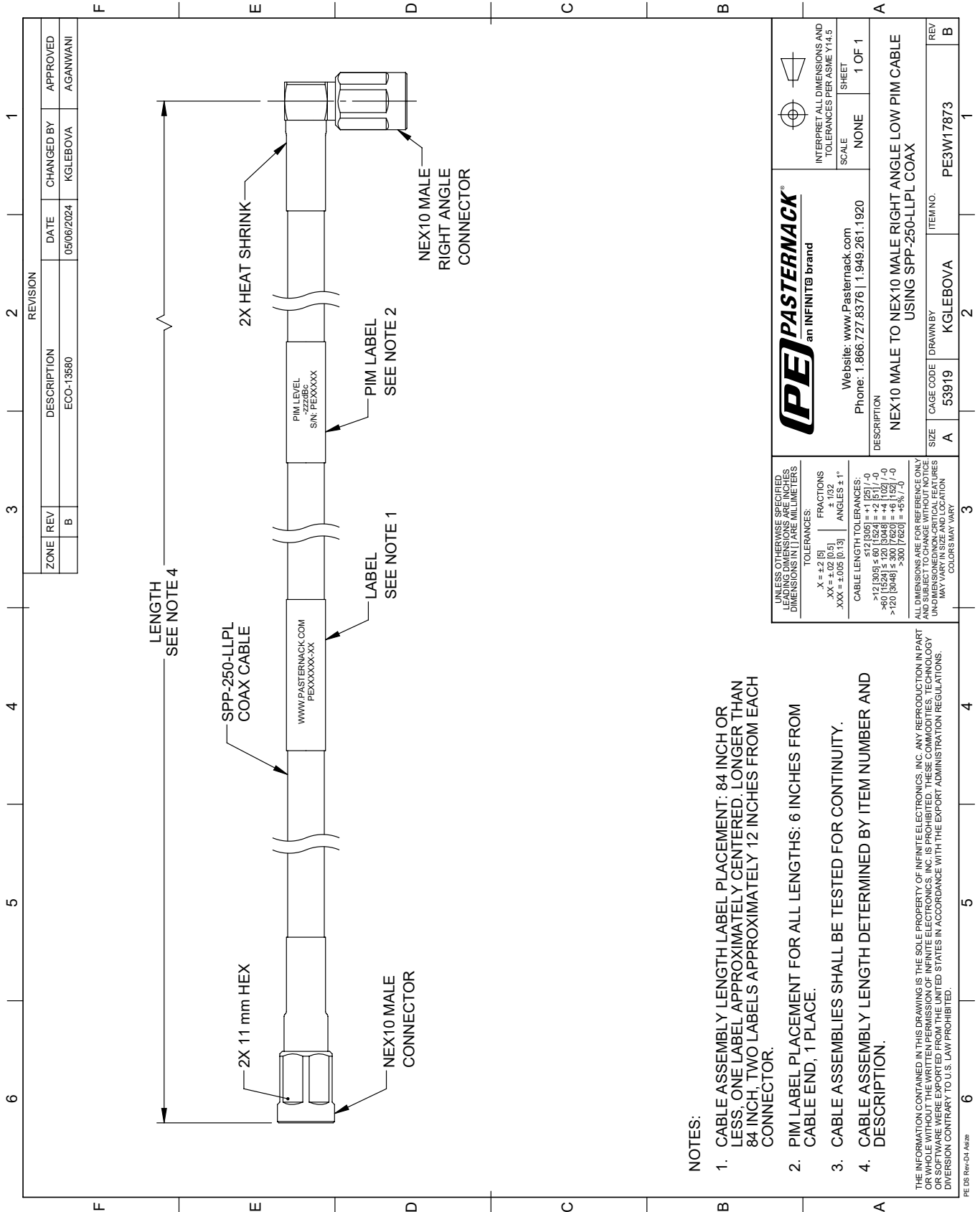
Click the following link (or enter part number in "SEARCH" on website) to obtain additional part information including price, inventory and certifications: [NEX10 Male to NEX10 Male Right Angle Low PIM Cable 50 CM Length Using SPP-250-LLPL Coax PE3W17873-50CM](https://www.pasternack.com/nex10-male-to-nex10-male-low-pim-cable-50-cm-length-using-spp-250-llpl-pe3w17873-50cm-p.aspx)

URL: <https://www.pasternack.com/nex10-male-to-nex10-male-low-pim-cable-50-cm-length-using-spp-250-llpl-pe3w17873-50cm-p.aspx>

The information contained within this document is accurate to the best of our knowledge and representative of the part described herein. It may be necessary to make modifications to the part and/or the documentation of the part in order to implement improvements. Pasternack Enterprises reserves the right to make such changes as required. Unless otherwise stated, all specifications are nominal. Pasternack Enterprises does not make any representation or warranty regarding the suitability of the part described herein for any particular purpose, and Pasternack Enterprises does not assume liability arising out of the use of any part or document.

PE3W17873-50CM CAD Drawing

NEX10 Male to NEX10 Male Right Angle Low PIM Cable 50 CM Length Using SPP-250-LLPL Coax



NOTES:

1. CABLE ASSEMBLY LENGTH LABEL PLACEMENT: 84 INCH OR LESS, ONE LABEL APPROXIMATELY CENTERED, LONGER THAN 84 INCH, TWO LABELS APPROXIMATELY 12 INCHES FROM EACH CONNECTOR.
2. PIM LABEL PLACEMENT FOR ALL LENGTHS: 6 INCHES FROM CABLE END, 1 PLACE.
3. CABLE ASSEMBLIES SHALL BE TESTED FOR CONTINUITY.
4. CABLE ASSEMBLY LENGTH DETERMINED BY ITEM NUMBER AND DESCRIPTION.

THE INFORMATION CONTAINED IN THIS DRAWING IS THE SOLE PROPERTY OF INFINITE ELECTRONICS, INC. ANY REPRODUCTION IN PART OR WHOLE WITHOUT THE WRITTEN PERMISSION OF INFINITE ELECTRONICS, INC. IS PROHIBITED. THESE COMMODITIES, TECHNOLOGY OR SOFTWARE WERE EXPORTED FROM THE UNITED STATES IN ACCORDANCE WITH THE EXPORT ADMINISTRATION REGULATIONS. DIVERSION CONTRARY TO U.S. LAW PROHIBITED.

PE DS Rev-04 Add2

REVISION		DATE	CHANGED BY	APPROVED
ZONE	REV	DESCRIPTION	ECO-13580	AGANWANI
	B			

 Website: www.Pasternack.com Phone: 1.866.727.8376 1.949.261.1920		INTERPRET ALL DIMENSIONS AND TOLERANCES PER ASME Y14.5
		SCALE: NONE SHEET: 1 OF 1
DESCRIPTION NEX10 MALE TO NEX10 MALE RIGHT ANGLE LOW PIM CABLE USING SPP-250-LLPL COAX		
SIZE: A	CAGE CODE: 53919	DRAWN BY: KGLEBOVA
ITEM NO.: PE3W17873		REV: B

UNLESS OTHERWISE SPECIFIED, DIMENSIONS ARE IN INCHES. LEADING DIMENSIONS ARE IN MILLIMETERS. DIMENSIONS IN [] ARE MILLIMETERS.

TOLERANCES:
 .X = ±.2 [5]
 .XX = ±.02 [0.5]
 .XXX = ±.005 [0.13]

FRACTIONS
 ± 1/32
 ANGLES ± 1°

CABLE LENGTH TOLERANCES:
 >12 [305] ≤ 60 [1524] = ±.1 [25] / -0
 >60 [1524] ≤ 120 [3048] = ±.4 [102] / -0
 >120 [3048] ≤ 300 [7620] = ±.1 [25] / -0
 >300 [7620] = ±.5 [12.7]

ALL DIMENSIONS ARE FOR REFERENCE ONLY. DIMENSIONS OF INDIVIDUAL COMPONENTS ARE NOT TO BE USED TO DETERMINE DIMENSIONS OF NON-CRITICAL FEATURES. DIMENSIONS MAY VARY.