

## NEX10 Male Right Angle to NEX10 Male Right Angle Low PIM Cable Using SPP-250-LLPL Coax

### PE3W17876

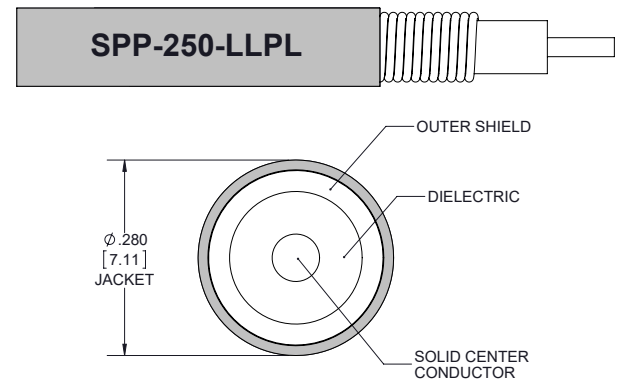


#### Configuration

- Connector 1: NEX10 Male Right Angle
- Connector 2: NEX10 Male Right Angle
- Cable Type: SPP-250-LLPL
- Coax Flex Type: Corrugated

#### Features

- Max Frequency 5.8 GHz
- Low PIM: -160 dBc Max
- Shielding Effectivity > 100 dB
- 76% Phase Velocity
- FEP Jacket



#### Applications

- General Purpose
- Laboratory Use
- Low PIM Applications

#### Description

Pasternack's PE3W17876 NEX10 male right angle to NEX10 male right angle cable using SPP-250-LLPL coax is part of our full line of RF components available for same-day shipping. Pasternack's corrugated RF cable assemblies are ideal for applications where durability and high power are needed. This Pasternack NEX10 to NEX10 cable assembly has a male to male gender configuration with 50 ohm corrugated SPP-250-LLPL coax. The PE3W17876 NEX10 male to NEX10 male cable assembly operates to 5.8 GHz. Our low PIM design also offers excellent passive intermodulation performance with PIM levels better than -160 dBc. The right angle NEX10 interfaces on the SPP-250-LLPL cable allow for easier connections in tight spaces.

Custom versions of most RF cable assemblies can be built and shipped same day. Custom cable assembly lengths can be obtained by specifying the desired length on the web site at time of order or by contacting a sales representative. Other available RF cable assembly value added services include connector orientation or clocking, heat shrink booting and custom labeling. RF testing can also be performed to document the electrical performance of your cable assembly.

#### Electrical Specifications

Description	Minimum	Typical	Maximum	Units
Frequency Range	DC		5.8	GHz
VSWR			1.4:1	
Velocity of Propagation		76		%
RF Shielding	100			dB
Passive Intermodulation			-160	dBc
Capacitance		27 [88.58]		pF/ft [pF/m]
Inductance		0.067 [0.22]		uH/ft [uH/m]
DC Resistance Inner Conductor		3 [9.84]		Ohms/1000ft [Ohms/Km]

#### Specifications by Frequency

NEX10 Male Right Angle to NEX10 Male Right Angle  
Low PIM Cable Using SPP-250-LLPL Coax



**PE3W17876**

Part Number	Length	Description	F1	F2	F3	F4	F5	Units	Weight (lbs)
			Frequency	450	500	1000	2500	5800	
PE3W17876	Custom Lengths Available	Insertion Loss (Typ.)	0.04	0.04	0.054	0.093	0.148	dB/ft	
			0.13	0.13	0.18	0.31	0.49	dB/m	
PE3W17876-12	12 inch	Insertion Loss (Typ.)	0.44	0.44	0.46	0.5	0.55	dB	0.13
PE3W17876-24	24 inch	Insertion Loss (Typ.)	0.48	0.48	0.51	0.59	0.7	dB	0.201
PE3W17876-36	36 inch	Insertion Loss (Typ.)	0.52	0.52	0.57	0.68	0.85	dB	0.271
PE3W17876-60	60 inch	Insertion Loss (Typ.)	0.59	0.6	0.67	0.87	1.14	dB	0.411
PE3W17876-50CM	50 CM	Insertion Loss (Typ.)	0.47	0.47	0.49	0.56	0.65	dB	0.175

The insertion loss data for the base model does not include loss due to the connectors. Each length includes insertion loss due to the connectors.

Loss due to Connector 1:	0.2 dB
Loss due to Connector 2:	0.2 dB
Base Weight:	0.13 pounds
Additional Weight per Inch:	0.00584 pounds

**Mechanical Specifications**

**Cable Assembly**

Width/Diameter	0.5 in [12.7 mm]
Weight	0.13 lbs [58.97 g]

**Cable**

Cable Type	SPP-250-LLPL
Impedance	50 Ohms
Inner Conductor Type	Solid
Inner Conductor Material and Plating	Copper
Dielectric Type	PTFE
Number of Shields	1
Outer Conductor 1 Material and Plating	Copper
Jacket Material	FEP, Blue
Jacket Diameter	0.28 in [7.11 mm]
One Time Minimum Bend Radius	1.25 in [31.75 mm]
Bending Moment	0.8 lbs-ft [1.08 N-m]

**Connectors**

Description	Connector 1	Connector 2
Type	NEX10 Male Right Angle	NEX10 Male Right Angle
Impedance	50 Ohms	50 Ohms
Configuration	Right Angle	Right Angle
Contact Material and Plating	Brass, Silver	Brass, Silver
Dielectric Type	PTFE	PTFE
Body Material and Plating	Brass, Tri-Metal	Brass, Tri-Metal
Coupling Nut Material and Plating	Brass, Tri-Metal	Brass, Tri-Metal

## NEX10 Male Right Angle to NEX10 Male Right Angle Low PIM Cable Using SPP-250-LLPL Coax



### PE3W17876

#### Environmental Specifications

Operating Range Temperature -40 to +155 deg C

**Compliance Certifications** (see [product page](#) for current document)

#### Plotted and Other Data

Notes:

#### Typical Performance Data

#### How to Order

Part Number Configuration: **PE3W17876 - xx uu**

PE3W17876: Base Number  
 - xx: Length  
 uu: Unit of Measure:  
     cm = Centimeters  
     <blank> = Inches

Example: PE3W17876-12 = 12 inches long cable  
 PE3W17876-100cm = 100 cm long cable

NEX10 Male Right Angle to NEX10 Male Right Angle Low PIM Cable Using SPP-250-LLPL Coax from Pasternack Enterprises has same day shipment for domestic and International orders. Our RF, microwave and millimeter wave products maintain a 99.4% availability and are part of the broadest selection in the industry.

Click the following link (or enter part number in "SEARCH" on website) to obtain additional part information including price, inventory and certifications: [NEX10 Male Right Angle to NEX10 Male Right Angle Low PIM Cable Using SPP-250-LLPL Coax PE3W17876](#)

URL: <https://www.pasternack.com/nex10-male-right-angle-to-nex10-male-low-pim-cable-using-spp-250-llpl-pe3w17876-p.aspx>

The information contained within this document is accurate to the best of our knowledge and representative of the part described herein. It may be necessary to make modifications to the part and/or the documentation of the part in order to implement improvements. Pasternack Enterprises reserves the right to make such changes as required. Unless otherwise stated, all specifications are nominal. Pasternack Enterprises does not make any representation or warranty regarding the suitability of the part described herein for any particular purpose, and Pasternack Enterprises does not assume liability arising out of the use of any part or document.

# PE3W17876 CAD Drawing

NEX10 Male Right Angle to NEX10 Male Right Angle Low PIM Cable Using SPP-250-LLPL Coax

