

N Male Connector Clamp/Solder Attachment For PE-SR402AL, PE-SR402FL, RG402



PE4006

Configuration

- N Male Connector
- 50 Ohms
- Straight Body Geometry
- Connector Interface Types: PE-SR402AL, PE-SR402FL, RG402

Features

- Max. Operating Frequency 4 GHz
- Good VSWR of 1.5:1
- Gold Plated Brass Contact
- 30 μ in. minimum contact plating

Applications

- General Purpose Test
- Custom Cable Assemblies

Description

Pasternack's PE4006 type N , N, Standard, Connector is part of our full line of RF components available for same-day shipping. Our type N male connector operates up to a maximum frequency of 4 GHz and offers good VSWR of 1.5:1.

Our type N male connector PE4006 datasheet specifications and drawing with dimensions are shown below in this PDF. Pasternack's broad catalog of RF, microwave and millimeter wave connectors allows designers to configure and customize their signal connections however they like. Whether the need is to provide an I/O for a board design, or simply create a custom cable assembly configuration, Pasternack has the right connector for the job. Pasternack can also expertly build your custom cable assemblies for you and ship same-day.

Electrical Specifications

Description	Minimum	Typical	Maximum	Units
Frequency Range	DC		4	GHz
VSWR			1.5:1	
Impedance		50		Ohms

Mechanical Specifications

Size

Length	1.36 in [34.54 mm]
Width	0.8 in [20.32 mm]
Weight	0.082 lbs [37.19 g]

Material Specifications

Description	Material	Plating
Contact	Brass	Gold 30 μ in. minimum
Insulation	Teflon	
Body	Brass	Nickel 100 μ in. minimum
Coupling Nut	Brass	Nickel 100 μ in. minimum

N Male Connector Clamp/Solder Attachment For PE-SR402AL, PE-SR402FL, RG402



PE4006

Environmental Specifications

Temperature

Compliance Certifications (see [product page](#) for current document)

Plotted and Other Data

Notes:

N Male Connector Clamp/Solder Attachment For PE-SR402AL, PE-SR402FL, RG402 from Pasternack Enterprises has same day shipment for domestic and International orders. Our RF, microwave and millimeter wave products maintain a 99.4% availability and are part of the broadest selection in the industry.

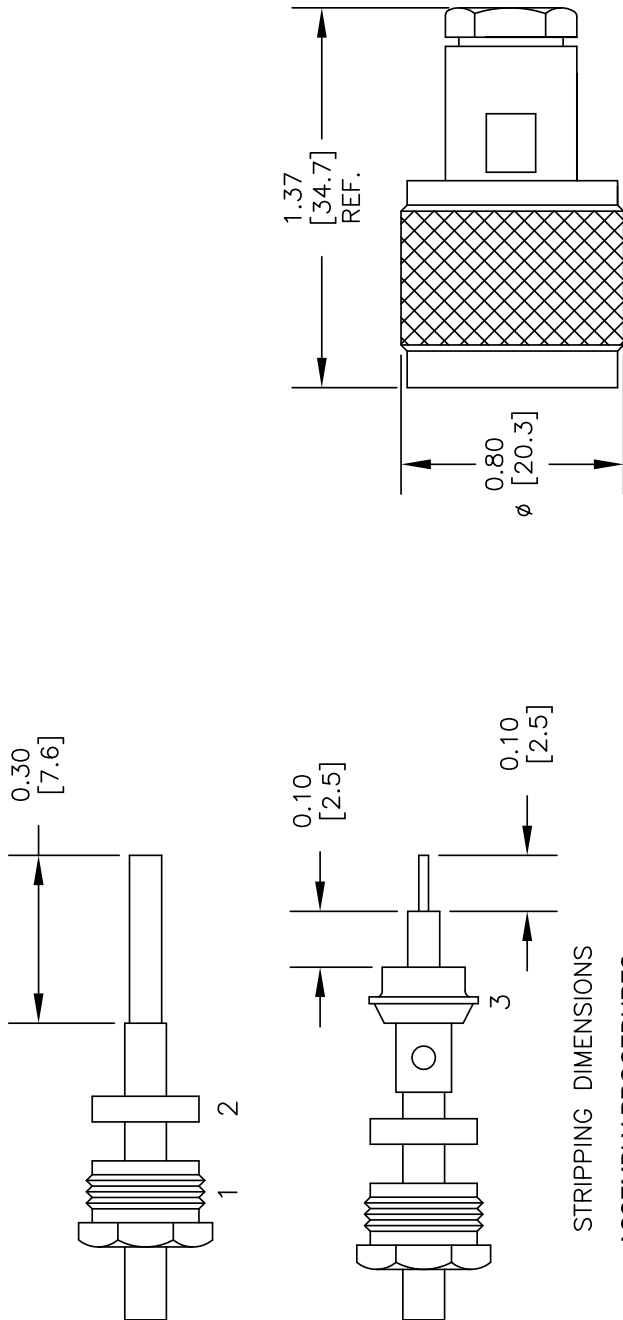
Click the following link (or enter part number in "SEARCH" on website) to obtain additional part information including price, inventory and certifications: [N Male Connector Clamp/Solder Attachment For PE-SR402AL, PE-SR402FL, RG402 PE4006](#)

URL: <https://www.pasternack.com/n-male-standard-pe-sr402al-pe-sr402fl-rg402-connector-pe4006-p.aspx>

The information contained within this document is accurate to the best of our knowledge and representative of the part described herein. It may be necessary to make modifications to the part and/or the documentation of the part in order to impliment improvements. Pasternack Enterprises reserves the right to make such changes as required. Unless otherwise stated, all specifications are nominal. Pasternack Enterprises does not make any representation or warranty regarding the suitability of the part described herein for any particular purpose, and Pasternack Enterprises does not assume liability arising out of the use of any part or document.

PE4006 CAD Drawing

N Male Connector Clamp/Solder Attachment For PE-SR402AL, PE-SR402FL, RG402



STRIPPING DIMENSIONS

ASSEMBLY PROCEDURES

1. SLIDE CLAMP NUT (1) & GASKET (2) OVER CABLE. STRIP CABLE AS SHOWN IN ASSEMBLY (A). DO NOT CUT DIELECTRIC.
2. SLIDE ADAPTER (3) OVER CABLE UNTIL ADAPTER (3) BOTTOMS ON OUTER CONDUCTOR. SOLDER ADAPTER (3) TO OUTER CONDUCTOR USING MINIMUM HEAT.
3. STRIP CABLE AS SHOWN IN ASSEMBLY (B). SOLDER CONTACT TO CENTER CONDUCTOR. SLIDE ASSEMBLY FORWARD & TIGHTEN TO BODY.

DWG TITLE

PE4006

NOTES:
 1. UNLESS OTHERWISE SPECIFIED ALL DIMENSIONS ARE NOMINAL.
 2. ALL SPECIFICATIONS ARE SUBJECT TO CHANGE WITHOUT NOTICE AT ANY TIME.
 3. DIMENSIONS ARE IN INCHES [mm].
 4. FITS MIL-C-17 AND EQUIVALENT CABLES.

FSCM NO. 53919

CAD FILE 042109

SCALE N/A

SIZE A

127



Pasternack Enterprises, Inc.
 P.O. Box 16759 | Irvine | CA | 92623
 Phone: (949) 261-1920 | Fax: (949) 261-7451
 Website: www.pasternack.com | E-Mail: sales@pasternack.com

N Male Connector Clamp/Solder Attachment For PE-SR402AL, PE-SR402FL, RG402



PE4006

Configuration

- N Male Connector
- 50 Ohms
- Straight Body Geometry
- Connector Interface Types: PE-SR402AL, PE-SR402FL, RG402

Features

- Max. Operating Frequency 4 GHz
- Good VSWR of 1.5:1
- Gold Plated Brass Contact
- 30 μ in. minimum contact plating

Applications

- General Purpose Test
- Custom Cable Assemblies

Description

Pasternack's PE4006 type N, N, Standard, Connector is part of our full line of RF components available for same-day shipping. Our type N male connector operates up to a maximum frequency of 4 GHz and offers good VSWR of 1.5:1.

Our type N male connector PE4006 datasheet specifications and drawing with dimensions are shown below in this PDF. Pasternack's broad catalog of RF, microwave and millimeter wave connectors allows designers to configure and customize their signal connections however they like. Whether the need is to provide an I/O for a board design, or simply create a custom cable assembly configuration, Pasternack has the right connector for the job. Pasternack can also expertly build your custom cable assemblies for you and ship same-day.

Electrical Specifications

Description	Minimum	Typical	Maximum	Units
Frequency Range	DC		4	GHz
VSWR			1.5:1	
Impedance		50		Ohms

Mechanical Specifications

Size

Length	1.36 in [34.54 mm]
Width	0.8 in [20.32 mm]
Weight	0.082 lbs [37.19 g]

Material Specifications

Description	Material	Plating
Contact	Brass	Gold 30 μ in. minimum
Insulation	Teflon	
Body	Brass	Nickel 100 μ in. minimum
Coupling Nut	Brass	Nickel 100 μ in. minimum

N Male Connector Clamp/Solder Attachment For PE-SR402AL, PE-SR402FL, RG402



PE4006

Environmental Specifications

Temperature

Compliance Certifications (see [product page](#) for current document)

Plotted and Other Data

Notes:

N Male Connector Clamp/Solder Attachment For PE-SR402AL, PE-SR402FL, RG402 from Pasternack Enterprises has same day shipment for domestic and International orders. Our RF, microwave and millimeter wave products maintain a 99.4% availability and are part of the broadest selection in the industry.

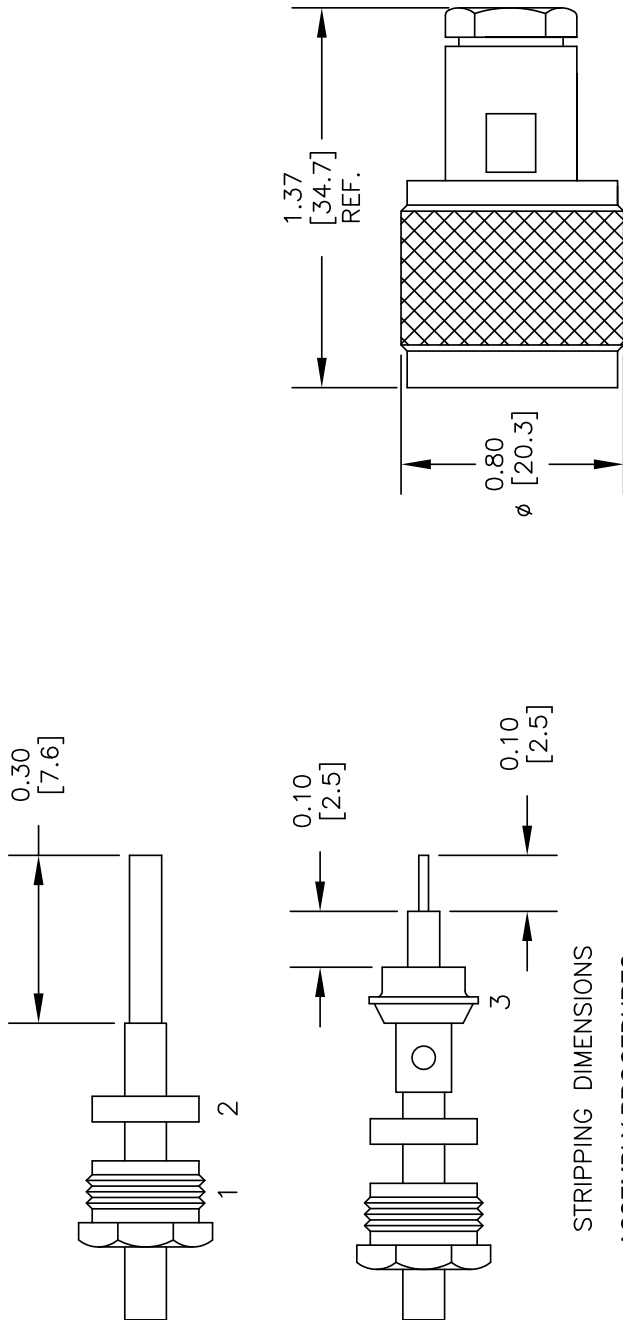
Click the following link (or enter part number in "SEARCH" on website) to obtain additional part information including price, inventory and certifications: [N Male Connector Clamp/Solder Attachment For PE-SR402AL, PE-SR402FL, RG402 PE4006](#)

URL: <https://www.pasternack.com/n-male-standard-pe-sr402al-pe-sr402fl-rg402-connector-pe4006-p.aspx>

The information contained within this document is accurate to the best of our knowledge and representative of the part described herein. It may be necessary to make modifications to the part and/or the documentation of the part in order to impliment improvements. Pasternack Enterprises reserves the right to make such changes as required. Unless otherwise stated, all specifications are nominal. Pasternack Enterprises does not make any representation or warranty regarding the suitability of the part described herein for any particular purpose, and Pasternack Enterprises does not assume liability arising out of the use of any part or document.

PE4006 CAD Drawing

N Male Connector Clamp/Solder Attachment For PE-SR402AL, PE-SR402FL, RG402



STRIPPING DIMENSIONS

ASSEMBLY PROCEDURES

1. SLIDE CLAMP NUT (1) & GASKET (2) OVER CABLE. STRIP CABLE AS SHOWN IN ASSEMBLY (A). DO NOT CUT DIELECTRIC.
2. SLIDE ADAPTER (3) OVER CABLE UNTIL ADAPTER (3) BOTTOMS ON OUTER CONDUCTOR. SOLDER ADAPTER (3) TO OUTER CONDUCTOR USING MINIMUM HEAT.
3. STRIP CABLE AS SHOWN IN ASSEMBLY (B). SOLDER CONTACT TO CENTER CONDUCTOR. SLIDE ASSEMBLY FORWARD & TIGHTEN TO BODY.

DWG TITLE

PE4006

NOTES:
 1. UNLESS OTHERWISE SPECIFIED ALL DIMENSIONS ARE NOMINAL.
 2. ALL SPECIFICATIONS ARE SUBJECT TO CHANGE WITHOUT NOTICE AT ANY TIME.
 3. DIMENSIONS ARE IN INCHES [mm].
 4. FITS MIL-C-17 AND EQUIVALENT CABLES.

FSCM NO. 53919

CAD FILE 042109

SCALE N/A

SIZE A

127



Pasternack Enterprises, Inc.
 P.O. Box 16759 | Irvine | CA | 92623
 Phone: (949) 261-1920 | Fax: (949) 261-7451
 Website: www.pasternack.com | E-Mail: sales@pasternack.com

Low Loss .141 Semi-Rigid Coax Cable, Tin Plated Copper Outer Conductor, Microporous PTFE 76.5 pct VoP Dielectric, Straight Sections

RF Cables Technical Data Sheet

PECX008

Configuration

- Low Loss Semi-Rigid Cable
- 1 Shield(s)

Features

- Continuous Copper Outer Conductor
- Low Density Microporous Dielectric
- Phase Stability vs. Temperature
- Mechanical Stability vs. Temperature
- High Isolation
- Supplied in 5 foot maximum straight lengths

Applications

- Low Loss Cabling
- Phase Matched Microporous Cables
- High Isolation Interconnects
- Surface Mount Cabling
- Semi-Rigid Cable Assemblies

Description

Pasternack's PECX008 low loss semi-rigid coax with copper outer conductor and microporous dielectric is part of our full line of RF components available for same-day shipping. This low loss semi-rigid coaxial cable operates to a maximum frequency range of 34 GHz. The outer conductor is served by a continuous copper tube which provides extremely high levels of RF shielding and low attenuation. The low density microporous dielectric of this semi rigid coax reduces the dielectric losses and also provides more phase stability over temperature when compared to solid PTFE dielectric. An additional benefit of the microporous dielectric is its mechanical stability over temperature. Unlike solid PTFE, this low density PTFE material can handle soldering heat with minimal or no measurable extrusion on the ends of the cable. This minimizes stress on connectors and allows for more predictable termination on PCB, surface mount applications.

Our microporous dielectric low loss semi-rigid coax cable, PECX008 datasheet specifications and drawing with dimensions are shown below in this PDF. Pasternack's broad catalog of RF, microwave and millimeter wave interconnects allows designers to configure and customize their signal connections however they like. Whether the need is to provide a high isolation, phase stable signal path or simply create a custom cable assembly configuration, Pasternack has the right cable for the job. Pasternack can also expertly build your custom cable assemblies for you and ship same-day.

Electrical Specifications

Description	Minimum	Typical	Maximum	Units
Frequency Range	DC		34	GHz
Impedance		50		Ohms
Velocity of Propagation		76.5		%

Click the following link (or enter part number in "SEARCH" on website) to obtain additional part information including price, inventory and certifications: [Low Loss .141 Semi-Rigid Coax Cable, Tin Plated Copper Outer Conductor, Microporous PTFE 76.5 pct VoP Dielectric, Straight Sections PECX008](#)

Low Loss .141 Semi-Rigid Coax Cable, Tin Plated
Copper Outer Conductor, Microporous PTFE
76.5 pct VoP Dielectric, Straight Sections

RF Cables
Technical Data Sheet

PECX008

Performance by Frequency Band

Description	F1	F2	F3	F4	F5	Units
Frequency	0.5	1	5	10	18	GHz
Attenuation, Typ	7.5	10.5	24	34	46	dB/100ft
	24.61	34.45	78.74	111.55	150.92	dB/100m
Input Power (CW), Max	820	580	240	170	130	Watts

Description	F6	F7	F8	F9	F10	Units
Frequency	20					GHz
Attenuation, Typ	52					dB/100ft
	170.6					dB/100m
Input Power (CW), Max	115					Watts

Mechanical Specifications

Min. Bend Radius (Installation) 0.5 in [12.7 mm]

Construction Specifications

Description	Material and Plating	Diameter
Inner Conductor	Copper, Silver, 1 Strand ASTM B-298	0.04 in 1.02 mm
Conductor Type	Solid	
Dielectric	Microporous PTFE	0.118 in [3 mm]
Outer Conductor	Copper, Tin ASTM B545	0.141 in 3.58 mm

Environmental Specifications

Temperature

Operating Range -65 to +200 deg C

Click the following link (or enter part number in "SEARCH" on website) to obtain additional part information including price, inventory and certifications: [Low Loss .141 Semi-Rigid Coax Cable, Tin Plated Copper Outer Conductor, Microporous PTFE 76.5 pct VoP Dielectric, Straight Sections PECX008](#)

Low Loss .141 Semi-Rigid Coax Cable, Tin Plated
Copper Outer Conductor, Microporous PTFE
76.5 pct VoP Dielectric, Straight Sections

RF Cables
Technical Data Sheet

PECX008

Compliance Certifications (see [product page](#) for current document)

Plotted and Other Data

Notes:

Low Loss .141 Semi-Rigid Coax Cable, Tin Plated Copper Outer Conductor, Microporous PTFE 76.5 pct VoP Dielectric, Straight Sections from Pasternack Enterprises has same day shipment for domestic and International orders. Our RF, microwave and millimeter wave products maintain a 99.4% availability and are part of the broadest selection in the industry.

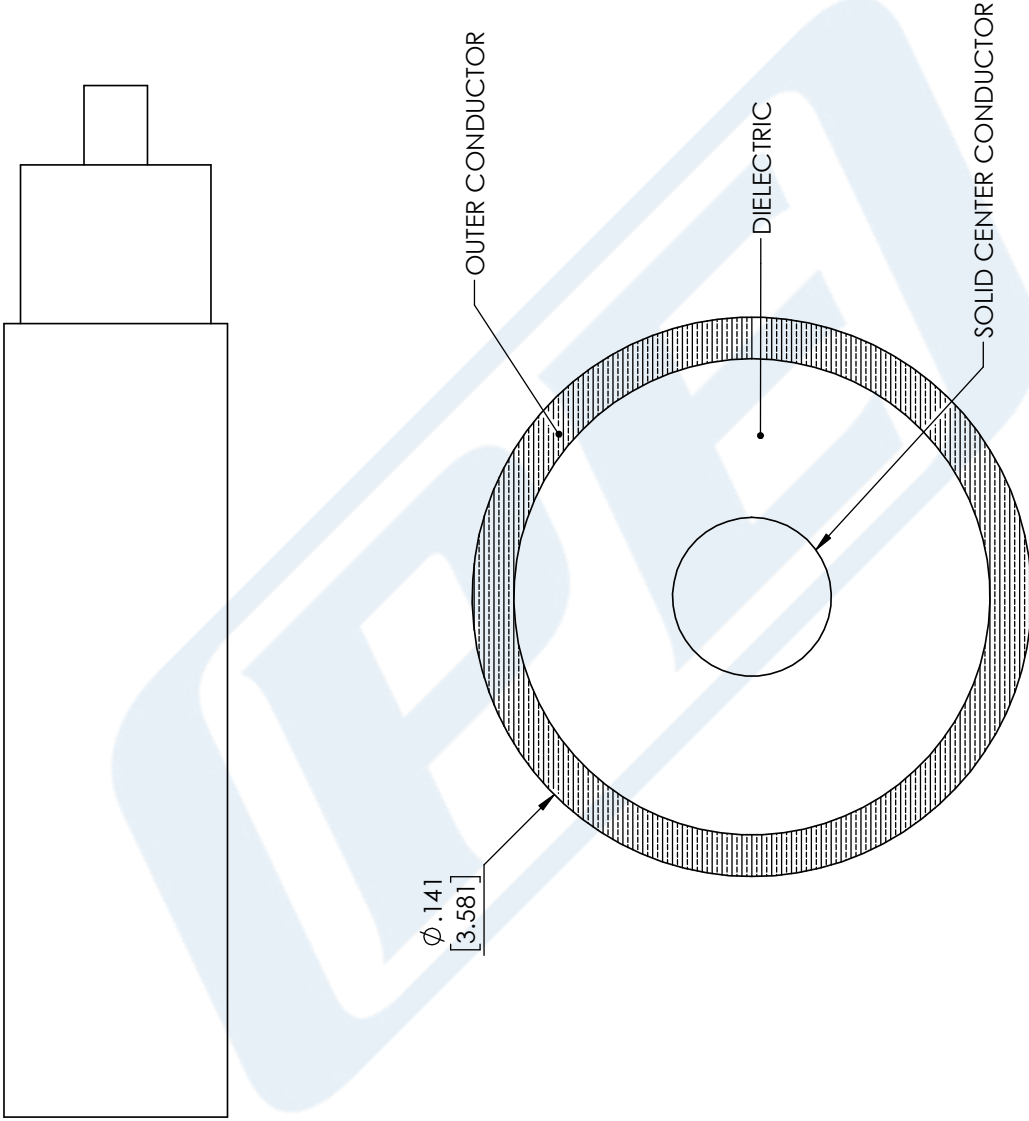
Click the following link (or enter part number in "SEARCH" on website) to obtain additional part information including price, inventory and certifications: [Low Loss .141 Semi-Rigid Coax Cable, Tin Plated Copper Outer Conductor, Microporous PTFE 76.5 pct VoP Dielectric, Straight Sections PECX008](#)

URL: <https://www.pasternack.com/low-loss-semirigid-141-coax-cable-tin-plated-copper-straight-pecx008-p.aspx>

The information contained in this document is accurate to the best of our knowledge and representative of the part described herein. It may be necessary to make modifications to the part and/or the documentation of the part, in order to implement improvements. Pasternack reserves the right to make such changes as required. Unless otherwise stated, all specifications are nominal. Pasternack does not make any representation or warranty regarding the suitability of the part described herein for any particular purpose, and Pasternack does not assume any liability arising out of the use of any part or documentation.

PECX008 CAD Drawing

Low Loss .141 Semi-Rigid Coax Cable, Tin Plated Copper Outer Conductor,
Microporous PTFE 76.5 pct VoP Dielectric, Straight Sections



STANDARD TOLERANCES	
.X	± 0.2
.XX	± 0.01
.XXX	± 0.005

*STANDARD TOLERANCES APPLY ONLY TO DIMENSIONS IN INCHES



Pasternack Enterprises, Inc.
P.O. Box 16759 | Irvine | CA | 92623
Phone: (949) 261-1920 | Fax: (949) 261-7451
Website: www.pasternack.com | E-Mail: sales@pasternack.com

DWG TITLE

PECX008

CAGE CODE 53919

NOTES:
1. UNLESS OTHERWISE SPECIFIED ALL DIMENSIONS ARE NOMINAL.
2. ALL SPECIFICATIONS ARE SUBJECT TO CHANGE WITHOUT NOTICE AT ANY TIME.
3. DIMENSIONS ARE IN INCHES [mm].

CAD FILE 06/15/18

SCALE N/A

SIZE A

CN2245