

75 Ohm BNC Male Connector Crimp Attachment for LMR-240-75, LMR-240-75-DB, LMR-240-75-FR



TC-240-BM-75-X

Configuration

- BNC Male Connector
- 75 Ohms
- Straight Body Geometry
- Connector Interface Types: LMR-240-75, LMR-240-75-DB, LMR-240-75-FR

Features

- Max. Operating Frequency 4 GHz
- Excellent VSWR of 1.2:1
- Gold over Nickel over Copper Plated Brass Contact
- 50 µin minimum contact plating

Applications

- General Purpose Test
- Custom Cable Assemblies
- CATV

Description

Times Microwave's TC-240-BM-75-X , BNC, , Connector is part of our full line of RF components available for same-day shipping. Times Microwave's BNC male connector operates up to a maximum frequency of 4 GHz and offers excellent VSWR of 1.2:1.

Times Microwave's 75 ohm BNC male connector TC-240-BM-75-X datasheet specifications and drawing with dimensions are shown below in this PDF. Pasternack's broad catalog of RF, microwave and millimeter wave connectors allows designers to configure and customize their signal connections however they like. Whether the need is to provide an I/O for a board design, or simply create a custom cable assembly configuration, Pasternack has the right connector for the job. Pasternack can also expertly build your custom cable assemblies for you and ship same-day.

Electrical Specifications

Description	Minimum	Typical	Maximum	Units
Frequency Range	DC		4	GHz
VSWR			1.2:1	
Insertion Loss			0.2	dB
Operating Voltage (AC)			500	Vrms
Dielectric Withstanding Voltage (AC)			1,000	Vrms
Inner Conductor DC Resistance			3	mOhms
Outer Conductor DC Resistance			2	mOhms
Insulation Resistance	5,000			MOhms
Impedance		75		Ohms

Electrical Specification Notes:
Insertion loss is $=0.1 \cdot \sqrt{FGHz}$

Mechanical Specifications

Size

Length	0 in [0 mm]
Width	0 in [0 mm]
Height	0 in [0 mm]
Weight	0.043 lbs [19.5 g]
Mating Cycles	500 Cycles

75 Ohm BNC Male Connector Crimp Attachment for LMR-240-75, LMR-240-75-DB, LMR-240-75-FR



TC-240-BM-75-X

Cable Retention Force 60 lbs [27.22 kg]

Material Specifications

Description	Material	Plating
Contact	Brass	Gold over Nickel over Copper 50 µin minimum
Insulation	PTFE	
Body	Brass	Tri-Metal 80 µin minimum
Gasket	Silicone	
Crimp Sleeve	Brass	Tri-Metal 80 µin minimum

Environmental Specifications

Temperature

Operating Range

-55 to +125 deg C

Shock

MIL-STD-202, Method 213, Cond G

Vibration

MIL-STD-202, Method 204, Cond B

Compliance Certifications (see [product page](#) for current document)

Plotted and Other Data

Notes:

75 Ohm BNC Male Connector Crimp Attachment for LMR-240-75, LMR-240-75-DB, LMR-240-75-FR from Pasternack Enterprises has same day shipment for domestic and International orders. Our RF, microwave and millimeter wave products maintain a 99.4% availability and are part of the broadest selection in the industry.

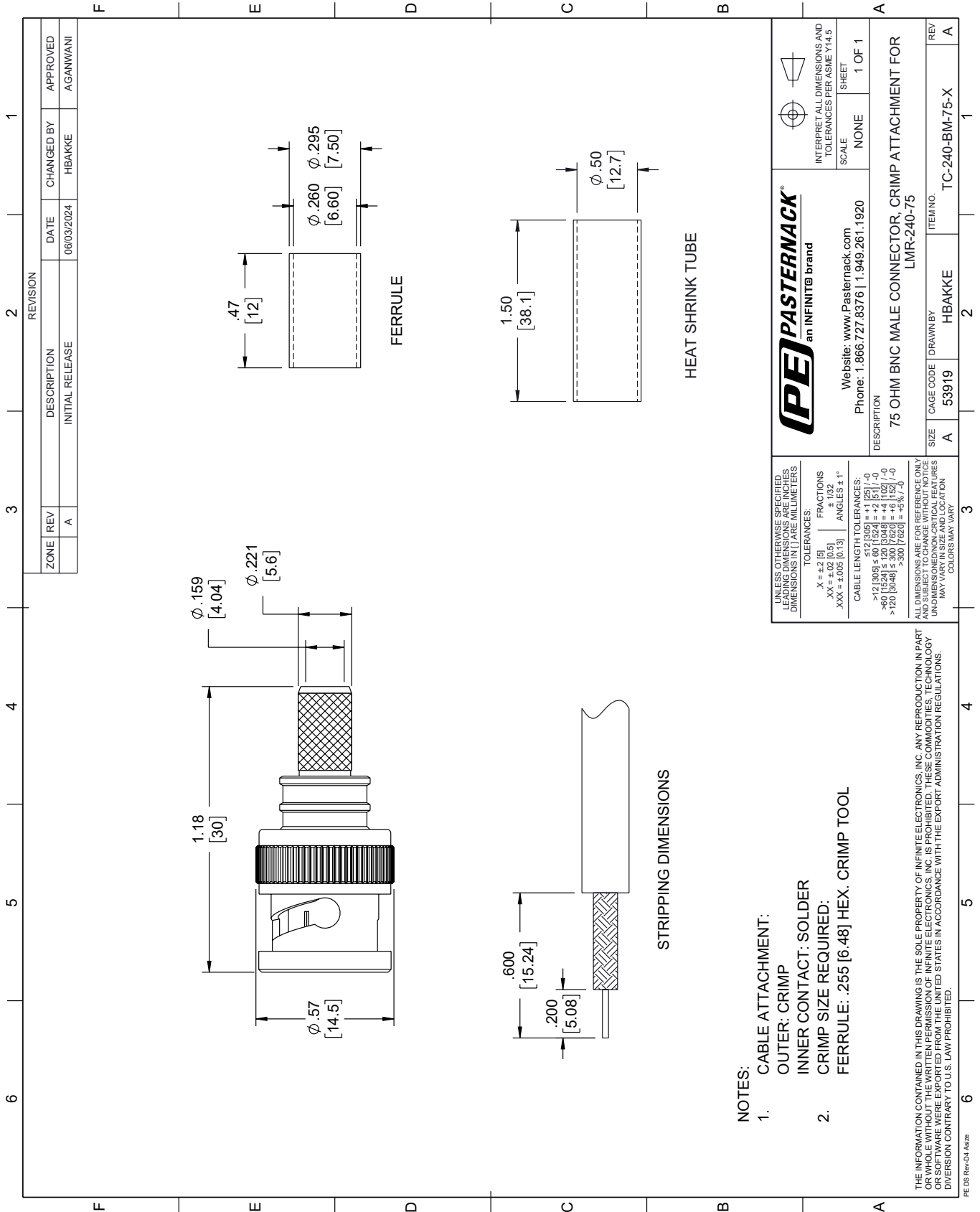
Click the following link (or enter part number in "SEARCH" on website) to obtain additional part information including price, inventory and certifications: [75 Ohm BNC Male Connector Crimp Attachment for LMR-240-75, LMR-240-75-DB, LMR-240-75-FR TC-240-BM-75-X](#)

URL: <https://www.pasternack.com/bnc-male-lmr-240-75-connector-tc-240-bm-75-x-p.aspx>

The information contained within this document is accurate to the best of our knowledge and representative of the part described herein. It may be necessary to make modifications to the part and/or the documentation of the part in order to implement improvements. Pasternack Enterprises reserves the right to make such changes as required. Unless otherwise stated, all specifications are nominal. Pasternack Enterprises does not make any representation or warranty regarding the suitability of the part described herein for any particular purpose, and Pasternack Enterprises does not assume liability arising out of the use of any part or document.

TC-240-BM-75-X CAD Drawing

75 Ohm BNC Male Connector Crimp Attachment for LMR-240-75, LMR-240-75-DB, LMR-240-75-FR



- NOTES:
- CABLE ATTACHMENT:
OUTER CONTACT: CRIMP
INNER CONTACT: SOLDER
CRIMP SIZE REQUIRED:
FERRULE: .255 [6.48] HEX. CRIMP TOOL

UNLESS OTHERWISE SPECIFIED, LEADING DIMENSIONS ARE IN INCHES. DIMENSIONS IN [] ARE MILLIMETERS.

TOLERANCES:
 .X = ±.2 [5]
 .XX = ±.02 [0.5]
 .XXX = ±.005 [0.13]

FRACTIONS
 ± 1/32

ANGLES ± 1°

CABLE LENGTH TOLERANCES:
 < 12 [305] ±.60 [15.24] = ±.2 [5.1] / -0
 > 12 [305] ≤ 60 [1524] = ±.4 [10.2] / -0
 > 60 [1524] ≤ 120 [3048] = ±.4 [10.2] / -0
 > 120 [3048] ≤ 300 [7620] = ±.6 [15.2] / -0
 > 300 [7620] = ±.6 [15.2] / -0

ALL DIMENSIONS ARE FOR REFERENCE ONLY. UNLESS OTHERWISE SPECIFIED, DIMENSIONS ARE IN INCHES. DIMENSIONS IN [] ARE MILLIMETERS. DIMENSIONS/LOCATIONS MAY VARY IN SIZE AND LOCATION. COLORS MAY VARY.

PE PASTERNAK
an INFINITE brand

Website: www.Pasternack.com
 Phone: 1.866.727.8376 | 1.949.281.1920

INTERPRET ALL DIMENSIONS AND TOLERANCES PER ASME Y14.5

SCALE: NONE
 SHEET: 1 OF 1

DESCRIPTION 75 OHM BNC MALE CONNECTOR, CRIMP ATTACHMENT FOR LMR-240-75		ITEM NO. TC-240-BM-75-X	REV A
SIZE A	CAGE CODE 53919	DRAWN BY HBAKKE	REV A

ZONE	REV	DESCRIPTION	DATE	CHANGED BY	APPROVED
	A	INITIAL RELEASE	08/03/2024	HBAKKE	AGANWANI

THE INFORMATION CONTAINED IN THIS DRAWING IS THE SOLE PROPERTY OF INFINITE ELECTRONICS, INC. ANY REPRODUCTION IN PART OR WHOLE WITHOUT THE WRITTEN PERMISSION OF INFINITE ELECTRONICS, INC. IS PROHIBITED. THESE COMMODITIES, TECHNOLOGY OR SERVICES ARE EXPORTED FROM THE UNITED STATES IN ACCORDANCE WITH THE EXPORT ADMINISTRATION REGULATIONS. DIVERSION CONTRARY TO U.S. LAW PROHIBITED.

PE DS Rev-04 Add

75 Ohm BNC Male Connector Crimp Attachment for LMR-240-75, LMR-240-75-DB, LMR-240-75-FR



TC-240-BM-75-X

Configuration

- BNC Male Connector
- 75 Ohms
- Straight Body Geometry
- Connector Interface Types: LMR-240-75, LMR-240-75-DB, LMR-240-75-FR

Features

- Max. Operating Frequency 4 GHz
- Excellent VSWR of 1.2:1
- Gold over Nickel over Copper Plated Brass Contact
- 50 µin minimum contact plating

Applications

- General Purpose Test
- Custom Cable Assemblies
- CATV

Description

Times Microwave's TC-240-BM-75-X , BNC, , Connector is part of our full line of RF components available for same-day shipping. Times Microwave's BNC male connector operates up to a maximum frequency of 4 GHz and offers excellent VSWR of 1.2:1.

Times Microwave's 75 ohm BNC male connector TC-240-BM-75-X datasheet specifications and drawing with dimensions are shown below in this PDF. Pasternack's broad catalog of RF, microwave and millimeter wave connectors allows designers to configure and customize their signal connections however they like. Whether the need is to provide an I/O for a board design, or simply create a custom cable assembly configuration, Pasternack has the right connector for the job. Pasternack can also expertly build your custom cable assemblies for you and ship same-day.

Electrical Specifications

Description	Minimum	Typical	Maximum	Units
Frequency Range	DC		4	GHz
VSWR			1.2:1	
Insertion Loss			0.2	dB
Operating Voltage (AC)			500	Vrms
Dielectric Withstanding Voltage (AC)			1,000	Vrms
Inner Conductor DC Resistance			3	mOhms
Outer Conductor DC Resistance			2	mOhms
Insulation Resistance	5,000			MOhms
Impedance		75		Ohms

Electrical Specification Notes:
Insertion loss is $=0.1 \cdot \sqrt{FGHz}$

Mechanical Specifications

Size

Length	0 in [0 mm]
Width	0 in [0 mm]
Height	0 in [0 mm]
Weight	0.043 lbs [19.5 g]
Mating Cycles	500 Cycles

75 Ohm BNC Male Connector Crimp Attachment for LMR-240-75, LMR-240-75-DB, LMR-240-75-FR



TC-240-BM-75-X

Cable Retention Force 60 lbs [27.22 kg]

Material Specifications

Description	Material	Plating
Contact	Brass	Gold over Nickel over Copper 50 µin minimum
Insulation	PTFE	
Body	Brass	Tri-Metal 80 µin minimum
Gasket	Silicone	
Crimp Sleeve	Brass	Tri-Metal 80 µin minimum

Environmental Specifications

Temperature

Operating Range

-55 to +125 deg C

Shock

MIL-STD-202, Method 213, Cond G

Vibration

MIL-STD-202, Method 204, Cond B

Compliance Certifications (see [product page](#) for current document)

Plotted and Other Data

Notes:

75 Ohm BNC Male Connector Crimp Attachment for LMR-240-75, LMR-240-75-DB, LMR-240-75-FR from Pasternack Enterprises has same day shipment for domestic and International orders. Our RF, microwave and millimeter wave products maintain a 99.4% availability and are part of the broadest selection in the industry.

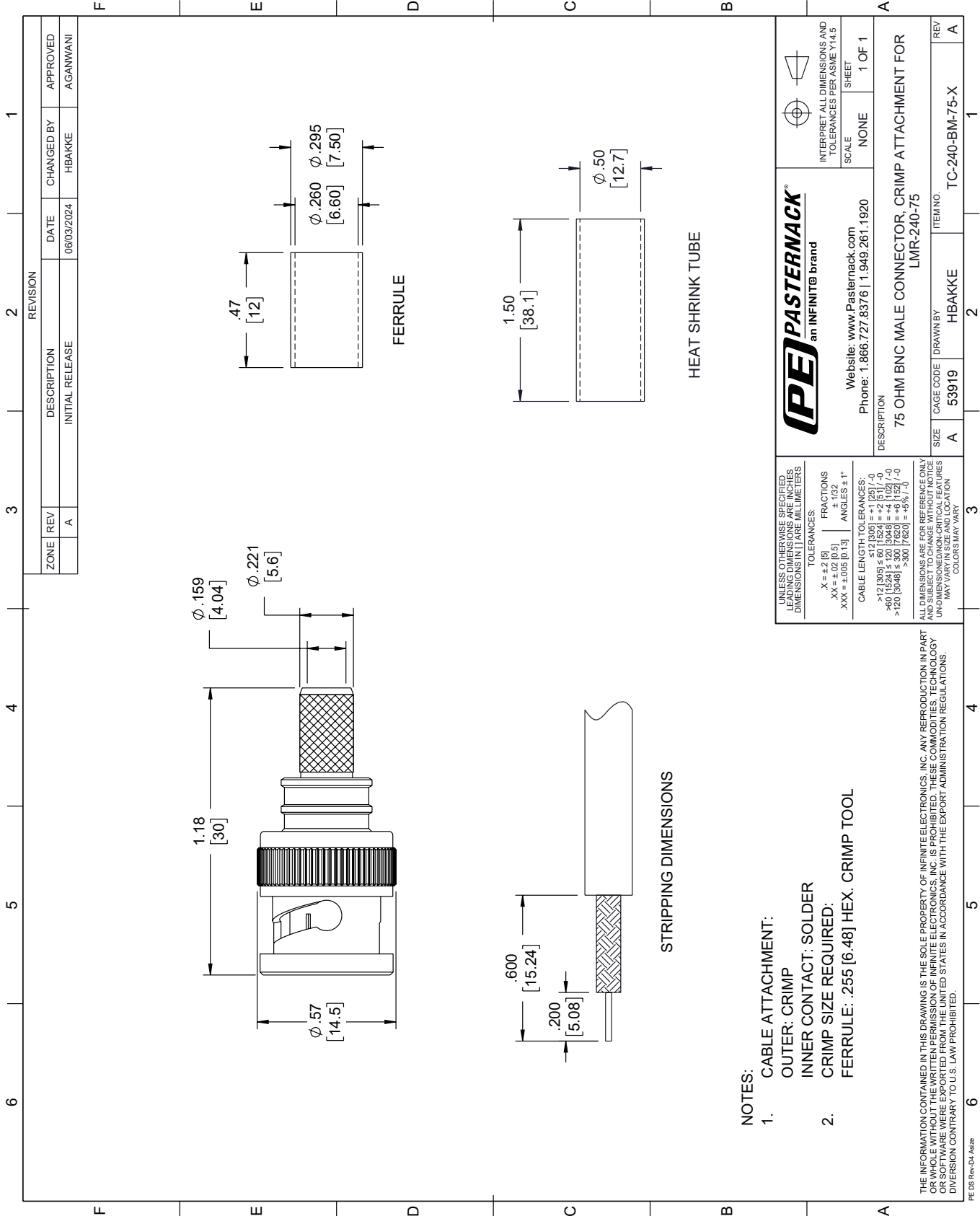
Click the following link (or enter part number in "SEARCH" on website) to obtain additional part information including price, inventory and certifications: [75 Ohm BNC Male Connector Crimp Attachment for LMR-240-75, LMR-240-75-DB, LMR-240-75-FR TC-240-BM-75-X](#)

URL: <https://www.pasternack.com/bnc-male-lmr-240-75-connector-tc-240-bm-75-x-p.aspx>

The information contained within this document is accurate to the best of our knowledge and representative of the part described herein. It may be necessary to make modifications to the part and/or the documentation of the part in order to implement improvements. Pasternack Enterprises reserves the right to make such changes as required. Unless otherwise stated, all specifications are nominal. Pasternack Enterprises does not make any representation or warranty regarding the suitability of the part described herein for any particular purpose, and Pasternack Enterprises does not assume liability arising out of the use of any part or document.

TC-240-BM-75-X CAD Drawing

75 Ohm BNC Male Connector Crimp Attachment for LMR-240-75, LMR-240-75-DB, LMR-240-75-FR



- NOTES:
- CABLE ATTACHMENT:
OUTER CONTACT: CRIMP
INNER CONTACT: SOLDER
CRIMP SIZE REQUIRED:
FERRULE: .255 [6.48] HEX. CRIMP TOOL

UNLESS OTHERWISE SPECIFIED, LEADING DIMENSIONS ARE IN INCHES. DIMENSIONS IN [] ARE MILLIMETERS.

TOLERANCES:
 .X = +.2 [5] FRACTIONS ± 1/32
 .XX = ±.02 [0.5] ANGLES ± 1°
 .XXX = ±.005 [0.13]

CABLE LENGTH TOLERANCES:
 < 12 [305] ± .60 [15.24] = +.2 [5] / -0
 > 12 [305] ≤ 60 [1524] = +.2 [5] / -0
 > 60 [1524] ≤ 120 [3048] = +.4 [102] / -0
 > 120 [3048] ≤ 300 [7620] = +.6 [15.24] / -0
 > 300 [7620] = +.6 [15.24] / -0

ALL DIMENSIONS ARE FOR REFERENCE ONLY. UNLESS OTHERWISE SPECIFIED, DIMENSIONS ARE IN INCHES. DIMENSIONS IN [] ARE MILLIMETERS. DIMENSIONS/LOCATIONS MAY VARY IN SIZE AND LOCATION. COLORS MAY VARY.

PE PASTERNAK
an INFINIT brand

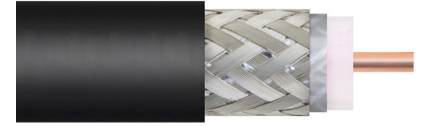
Website: www.Pasternack.com
 Phone: 1.866.727.8376 | 1.949.281.1920

INTERPRET ALL DIMENSIONS AND TOLERANCES PER ASME Y14.5

SCALE: NONE
SHEET: 1 OF 1

DESCRIPTION		ITEM NO.	
75 OHM BNC MALE CONNECTOR, CRIMP ATTACHMENT FOR LMR-240-75		TC-240-BM-75-X	
SIZE	CAGE CODE	DRAWN BY	REV
A	53919	HBAKKE	A

75 Ohm Low Loss Flexible LMR-400-75 Outdoor Rated Coax Cable Double Shielded with Black PE Jacket



LMR-400-75



Times Microwave Systems Connector Specification

Configuration

- Low Loss, Outdoor Flexible Cable
- 2 Shield(s)

Features

- Max Operating Frequency of 8 GHz
- Low Loss Cable
- Phase Velocity 85% VoP

Applications

- Laboratory Applications
- General Purpose RF Interconnect

Description

LMR-400-75 part number from Pasternack is a LMR-400 coax cable that is flexible. Pasternack LMR-400-75 flexible coax cable is 75 Ohm and has a PE (F) dielectric. Our LMR-400-75 coax is constructed with a 0.405 jacket made of PE. LMR-400-75 coax has a shield count of 2, a RF shielding of 90 dB and the maximum frequency for this Pasternack cable is 8 GHz.

Pasternack LMR-400 coax cables are part of over 40,000 RF, microwave and millimeter wave components. LMR-400-75 cables and our other RF parts are available for same day shipping worldwide. Custom RF cable assemblies using LMR-400-75 or other coax can be built and shipped same day as well.

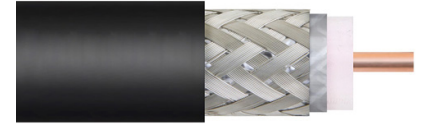
Electrical Specifications

Description	Minimum	Typical	Maximum	Units
Frequency Range	DC		8	GHz
Impedance		75		Ohms
Velocity of Propagation		85		%
Shielding Effectiveness	90			dB
Dielectric Withstanding Voltage (DC)			2,000	Vdc
Inner Conductor DC Resistance			2.5	Ohms/1000ft
Outer Conductor DC Resistance			1.65	Ohms/1000ft
Nominal Capacitance		15.9 [52.17]		pF/ft [pF/m]
Nominal Inductance		0.09 [0.3]		uH/ft [uH/m]
Input Power (Peak)			10	kWatts

Performance by Frequency Band

Description	F1	F2	F3	F4	F5	Units
Frequency	50	150	220	450	900	MHz
Attenuation, Typ	0.8	1.5	1.8	2.6	3.7	dB/100ft
	2.62	4.92	5.91	8.53	12.14	dB/100m

75 Ohm Low Loss Flexible LMR-400-75 Outdoor Rated
Coax Cable Double Shielded with Black PE Jacket



LMR-400-75

Performance by Frequency Band

Description	F1	F2	F3	F4	F5	Units
Input Power (CW), Max	2,310	1,320	1,080	740	520	Watts

Description	F6	F7	F8	F9	F10	Units
Frequency	1.5	1.8	2	2.5		GHz
Attenuation, Typ	4.9	5.4	5.7	6.4	4	dB/100ft
	16.08	17.72	18.7	21	13.12	dB/100m
Input Power (CW), Max	390	350	330	300		Watts

Mechanical Specifications

Diameter	0.405 in [10.29 mm]
Weight	0.072 lbs/ft [0.11 kg/m]
Min. Bend Radius (Installation)	1 in [25.4 mm]
Min. Bend Radius (Repeated)	4 in [101.6 mm]
Bending Moment	0.5 lbs-ft [0.68 N-m]
Tensile Strength	160 lbs [72.57 kg]
Flat Plate Crush	40 lbs/in [0.71 kg/mm]

Construction Specifications

Description	Material and Plating	Diameter
Inner Conductor	Beryllium Copper, 1 Strand	0.065 in [1.65 mm]
Conductor Type	Solid	
Dielectric	PE (F)	0.285 in [7.24 mm]
First Shield	Aluminum Tape	
Second Shield	Tinned Copper	
Jacket	PE, Black	0.405 in [10.29 mm]

Environmental Specifications

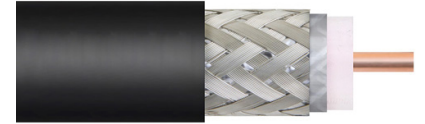
Temperature	
Operating Range	-40 to 85 deg C
Storage Range	-70 to 85 deg C

Compliance Certifications (see [product page](#) for current document)

Plotted and Other Data

Notes:

75 Ohm Low Loss Flexible LMR-400-75 Outdoor Rated Coax Cable Double Shielded with Black PE Jacket



LMR-400-75

75 Ohm Low Loss Flexible LMR-400-75 Outdoor Rated Coax Cable Double Shielded with Black PE Jacket from Pasternack Enterprises has same day shipment for domestic and International orders. Our RF, microwave and millimeter wave products maintain a 99.4% availability and are part of the broadest selection in the industry.

Click the following link (or enter part number in "SEARCH" on website) to obtain additional part information including price, inventory and certifications: [75 Ohm Low Loss Flexible LMR-400-75 Outdoor Rated Coax Cable Double Shielded with Black PE Jacket LMR-400-75](#)

URL: <https://www.pasternack.com/75-ohm-low-loss-flexible-lmr-400-pe-jacket-aluminum-tape-over-tinned-copper-outer-conductor-double-shielded-black-lmr-400-75-p.aspx>

The information contained within this document is accurate to the best of our knowledge and representative of the part described herein. It may be necessary to make modifications to the part and/or the documentation of the part in order to implement improvements. Pasternack Enterprises reserves the right to make such changes as required. Unless otherwise stated, all specifications are nominal. Pasternack Enterprises does not make any representation or warranty regarding the suitability of the part described herein for any particular purpose, and Pasternack Enterprises does not assume liability arising out of the use of any part or document.

LMR-400-75 CAD Drawing

75 Ohm Low Loss Flexible LMR-400-75 Outdoor Rated Coax Cable Double Shielded with Black PE Jacket

