

## N Male Right Angle Connector Crimp/Non-Solder Contact Attachment for LMR-400, PE-C400, PE-B400, PE-B405



### EZ-400-NMH-RA-X



## Times Microwave Systems Connector Specification

### Configuration

- N Male Connector
- 50 Ohms
- Right Angle Body Geometry
- Crimp/Non-Solder Contact Method
- Connector Interface Types: LMR-400, PE-C400, PE-B400, PE-B405

### Features

- Max. Operating Frequency 6 GHz
- Good VSWR of 1.35:1
- Gold Plated Beryllium Copper Contact
- 1.27  $\mu$ m minimum contact plating

### Applications

- General Purpose Test
- Custom Cable Assemblies

### Description

Pasternack's EZ-400-NMH-RA-X type N Right Angle, N, Standard, Connector is part of our full line of RF components available for same-day shipping. Our type N male connector operates up to a maximum frequency of 6 GHz and offers good VSWR of 1.35:1. Its right angle body geometry allows for easier connections in tight spaces.

Our type N male right angle connector EZ-400-NMH-RA-X datasheet specifications and drawing with dimensions are shown below in this PDF. Pasternack's broad catalog of RF, microwave and millimeter wave connectors allows designers to configure and customize their signal connections however they like. Whether the need is to provide an I/O for a board design, or simply create a custom cable assembly configuration, Pasternack has the right connector for the job. Pasternack can also expertly build your custom cable assemblies for you and ship same-day.

### Electrical Specifications

| Description                          | Minimum | Typical | Maximum | Units |
|--------------------------------------|---------|---------|---------|-------|
| Frequency Range                      | DC      |         | 6       | GHz   |
| VSWR                                 |         |         | 1.35:1  |       |
| Dielectric Withstanding Voltage (AC) |         |         | 2,500   | Vrms  |
| Impedance                            |         | 50      |         | Ohms  |

### Performance by Frequency

| Description         | F1      | F2 | F3 | F4 | F5 | Units |
|---------------------|---------|----|----|----|----|-------|
| Frequency Range     | DC to 3 |    |    |    |    | GHz   |
| Insertion Loss, Max | 0.1     |    |    |    |    | dB    |

### Mechanical Specifications

#### Size

|               |                       |
|---------------|-----------------------|
| Length        | 1.87 in [47.5 mm]     |
| Width         | 0.81 in [20.57 mm]    |
| Height        | 1.42 in [36.07 mm]    |
| Weight        | 0.2 lbs [90.72 g]     |
| Mating Torque | 44 in-lbs [[4.97 Nm]] |

N Male Right Angle Connector Crimp/Non-Solder Contact Attachment for LMR-400, PE-C400, PE-B400, PE-B405



**EZ-400-NMH-RA-X**

**Material Specifications**

| Description  | Material         | Plating                   |
|--------------|------------------|---------------------------|
| Contact      | Beryllium Copper | Gold<br>1.27 µm minimum   |
| Insulation   | PTFE             |                           |
| Body         | Brass            | Tri-Metal<br>2 µm minimum |
| Coupling Nut | Brass            | Tri-Metal<br>2 µm minimum |

**Environmental Specifications**

**Temperature**

Operating Range

-55 to +155 deg C

Shock

MIL-STD 202, Method 213, Condition I

Vibration

MIL-STD 202, Method 204, Condition B

**Compliance Certifications** (see [product page](#) for current document)

**Plotted and Other Data**

Notes:

N Male Right Angle Connector Crimp/Non-Solder Contact Attachment for LMR-400, PE-C400, PE-B400, PE-B405 from Pasternack Enterprises has same day shipment for domestic and International orders. Our RF, microwave and millimeter wave products maintain a 99.4% availability and are part of the broadest selection in the industry.

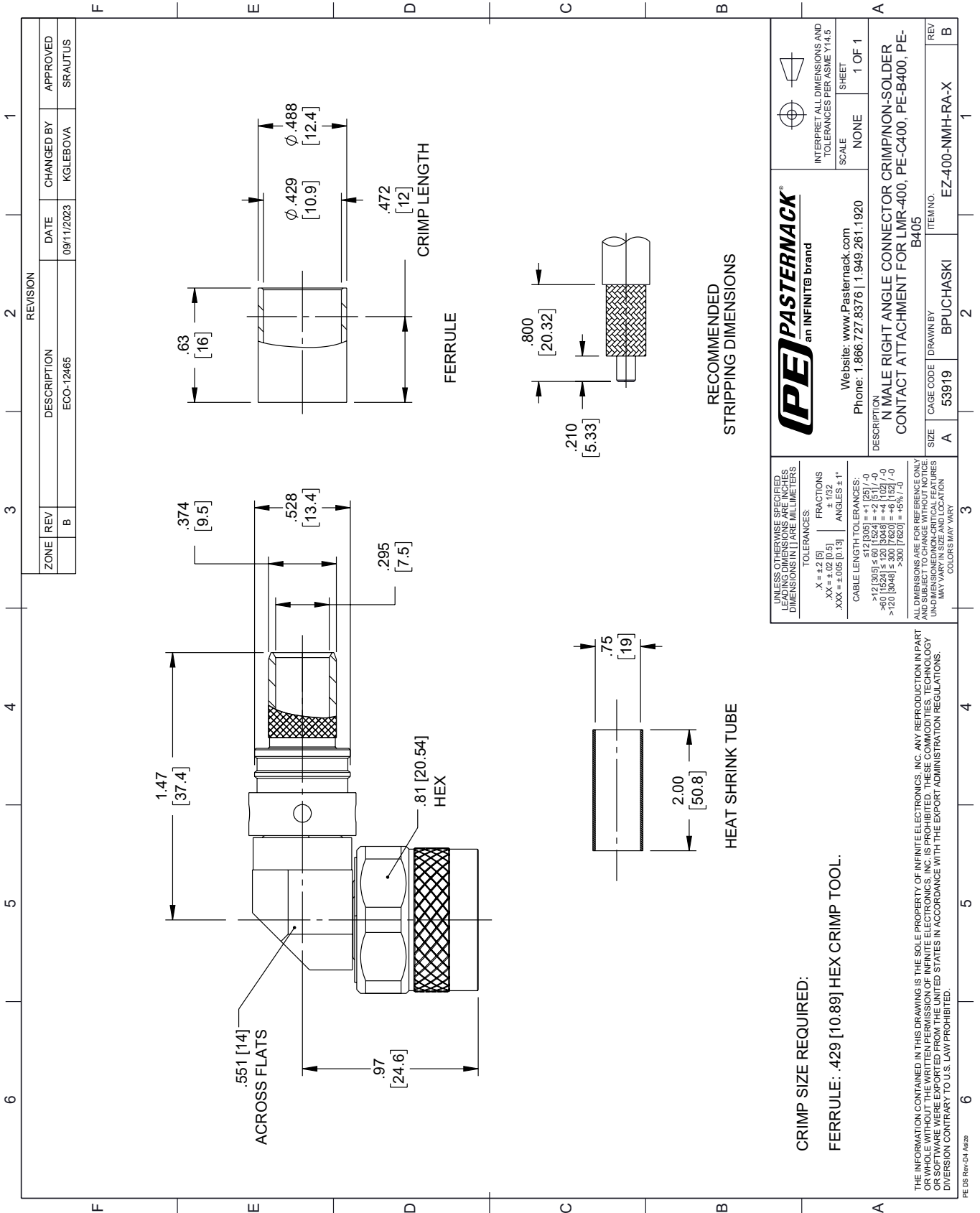
Click the following link (or enter part number in "SEARCH" on website) to obtain additional part information including price, inventory and certifications: [N Male Right Angle Connector Crimp/Non-Solder Contact Attachment for LMR-400, PE-C400, PE-B400, PE-B405 EZ-400-NMH-RA-X](#)

URL: <https://www.pasternack.com/n-male-lmr-400-pe-c400-pe-b400-pe-b405-connector-ez-400-nmh-ra-x-p.aspx>

The information contained within this document is accurate to the best of our knowledge and representative of the part described herein. It may be necessary to make modifications to the part and/or the documentation of the part in order to implement improvements. Pasternack Enterprises reserves the right to make such changes as required. Unless otherwise stated, all specifications are nominal. Pasternack Enterprises does not make any representation or warranty regarding the suitability of the part described herein for any particular purpose, and Pasternack Enterprises does not assume liability arising out of the use of any part or document.

# EZ-400-NMH-RA-X CAD Drawing

N Male Right Angle Connector Crimp/Non-Solder Contact Attachment for LMR-400, PE-C400, PE-B400, PE-B405



|   |                                    |
|---|------------------------------------|
| <b>REVISION</b><br>ZONE REV DESCRIPTION DATE CHANGED BY APPROVED<br>ECO-12465 B 09/11/2023 KGLEBOVA SRAUTUS   |                                    |
| <b>DESCRIPTION</b><br>N MALE RIGHT ANGLE CONNECTOR CRIMP/NON-SOLDER CONTACT ATTACHMENT FOR LMR-400, PE-C400, PE-B400, PE-B405   |                                    |
| <b>ITEM NO.</b><br>EZ-400-NMH-RA-X  |                                    |
| <b>SCALE</b><br>NONE  |                                    |
| <b>SHEET</b><br>1 OF 1  |                                    |
| <b>WEBSITE</b><br>www.Pasternack.com  |                                    |
| <b>PHONE</b><br>1.866.727.8376   1.949.261.1920   |                                    |
| <b>UNLESS OTHERWISE SPECIFIED, LEADING DIMENSIONS ARE IN INCHES. DIMENSIONS IN [ ] ARE MILLIMETERS.</b><br><b>TOLERANCES:</b><br>X = ±.2 [5]<br>.XX = ±.02 [0.5]<br>.XXX = ±.005 [0.13]<br><b>FRACTIONS</b><br>± 1/32<br><b>ANGLES</b> ± 1°<br><b>CABLE LENGTH TOLERANCES:</b><br>≤ 12 [305] = ± 1 [25] / -0<br>> 12 [305] ≤ 60 [1524] = ± 2 [51] / -0<br>> 60 [1524] ≤ 120 [3048] = ± 4 [102] / -0<br>> 120 [3048] ≤ 300 [7620] = ± 8 [203] / -0<br><b>DIMENSIONS ARE FOR REFERENCE ONLY! ALL DIMENSIONS ARE TAKEN FROM THE CENTERLINE UNLESS OTHERWISE SPECIFIED. DIMENSIONS IN SIZE AND LOCATION MAY VARY IN SIZE AND LOCATION. COLORS MAY VARY.</b> |                                    |
| <b>SIZE</b><br>A  | <b>DRAWN BY</b><br>BPUCHASKI       |
| <b>CAGE CODE</b><br>53919   | <b>ITEM NO.</b><br>EZ-400-NMH-RA-X |

**CRIMP SIZE REQUIRED:**  
**FERRULE: .429 [10.89] HEX CRIMP TOOL.**

RECOMMENDED STRIPPING DIMENSIONS

HEAT SHRINK TUBE

THE INFORMATION CONTAINED IN THIS DRAWING IS THE SOLE PROPERTY OF INFINITE ELECTRONICS, INC. ANY REPRODUCTION IN PART OR WHOLE WITHOUT THE WRITTEN PERMISSION OF INFINITE ELECTRONICS, INC. IS PROHIBITED. THESE COMMODITIES, TECHNOLOGY AND SERVICES ARE EXPORT RESTRICTED AND EXPORT FROM THE UNITED STATES IN ACCORDANCE WITH THE EXPORT ADMINISTRATION REGULATIONS. DIVISION CONTRARY TO U.S. LAW PROHIBITED.

PE DS Rev-D4 As3z

## N Male Right Angle Connector Crimp/Non-Solder Contact Attachment for LMR-400, PE-C400, PE-B400, PE-B405



### EZ-400-NMH-RA-X



## Times Microwave Systems Connector Specification

### Configuration

- N Male Connector
- 50 Ohms
- Right Angle Body Geometry
- Crimp/Non-Solder Contact Method
- Connector Interface Types: LMR-400, PE-C400, PE-B400, PE-B405

### Features

- Max. Operating Frequency 6 GHz
- Good VSWR of 1.35:1
- Gold Plated Beryllium Copper Contact
- 1.27  $\mu$ m minimum contact plating

### Applications

- General Purpose Test
- Custom Cable Assemblies

### Description

Pasternack's EZ-400-NMH-RA-X type N Right Angle, N, Standard, Connector is part of our full line of RF components available for same-day shipping. Our type N male connector operates up to a maximum frequency of 6 GHz and offers good VSWR of 1.35:1. Its right angle body geometry allows for easier connections in tight spaces.

Our type N male right angle connector EZ-400-NMH-RA-X datasheet specifications and drawing with dimensions are shown below in this PDF. Pasternack's broad catalog of RF, microwave and millimeter wave connectors allows designers to configure and customize their signal connections however they like. Whether the need is to provide an I/O for a board design, or simply create a custom cable assembly configuration, Pasternack has the right connector for the job. Pasternack can also expertly build your custom cable assemblies for you and ship same-day.

### Electrical Specifications

| Description                          | Minimum | Typical | Maximum | Units |
|--------------------------------------|---------|---------|---------|-------|
| Frequency Range                      | DC      |         | 6       | GHz   |
| VSWR                                 |         |         | 1.35:1  |       |
| Dielectric Withstanding Voltage (AC) |         |         | 2,500   | Vrms  |
| Impedance                            |         | 50      |         | Ohms  |

### Performance by Frequency

| Description         | F1      | F2 | F3 | F4 | F5 | Units |
|---------------------|---------|----|----|----|----|-------|
| Frequency Range     | DC to 3 |    |    |    |    | GHz   |
| Insertion Loss, Max | 0.1     |    |    |    |    | dB    |

### Mechanical Specifications

#### Size

|               |                       |
|---------------|-----------------------|
| Length        | 1.87 in [47.5 mm]     |
| Width         | 0.81 in [20.57 mm]    |
| Height        | 1.42 in [36.07 mm]    |
| Weight        | 0.2 lbs [90.72 g]     |
| Mating Torque | 44 in-lbs [[4.97 Nm]] |

N Male Right Angle Connector Crimp/Non-Solder Contact Attachment for LMR-400, PE-C400, PE-B400, PE-B405



**EZ-400-NMH-RA-X**

**Material Specifications**

| Description  | Material         | Plating                   |
|--------------|------------------|---------------------------|
| Contact      | Beryllium Copper | Gold<br>1.27 µm minimum   |
| Insulation   | PTFE             |                           |
| Body         | Brass            | Tri-Metal<br>2 µm minimum |
| Coupling Nut | Brass            | Tri-Metal<br>2 µm minimum |

**Environmental Specifications**

**Temperature**

Operating Range

-55 to +155 deg C

Shock

MIL-STD 202, Method 213, Condition I

Vibration

MIL-STD 202, Method 204, Condition B

**Compliance Certifications** (see [product page](#) for current document)

**Plotted and Other Data**

Notes:

N Male Right Angle Connector Crimp/Non-Solder Contact Attachment for LMR-400, PE-C400, PE-B400, PE-B405 from Pasternack Enterprises has same day shipment for domestic and International orders. Our RF, microwave and millimeter wave products maintain a 99.4% availability and are part of the broadest selection in the industry.

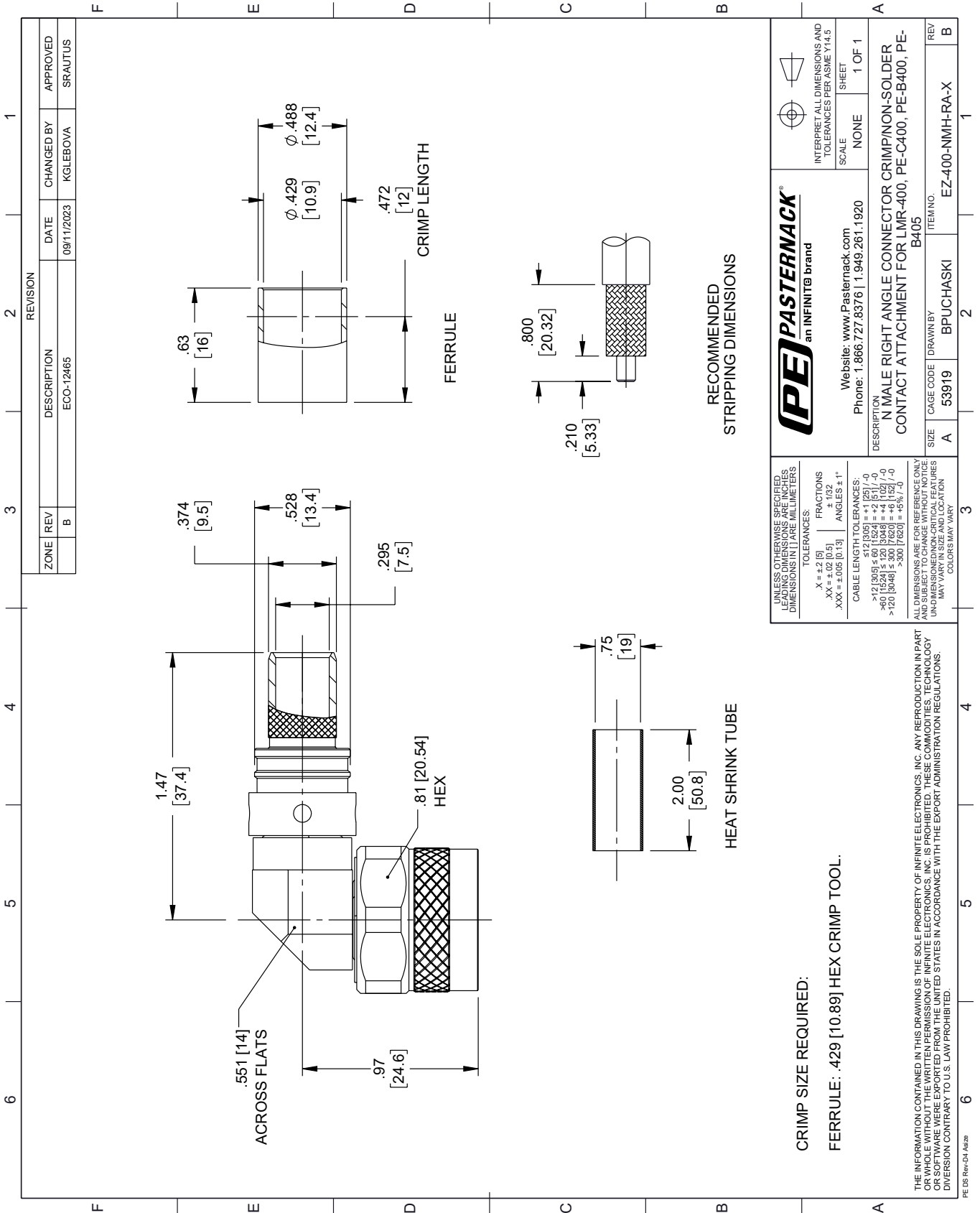
Click the following link (or enter part number in "SEARCH" on website) to obtain additional part information including price, inventory and certifications: [N Male Right Angle Connector Crimp/Non-Solder Contact Attachment for LMR-400, PE-C400, PE-B400, PE-B405 EZ-400-NMH-RA-X](#)

URL: <https://www.pasternack.com/n-male-lmr-400-pe-c400-pe-b400-pe-b405-connector-ez-400-nmh-ra-x-p.aspx>

The information contained within this document is accurate to the best of our knowledge and representative of the part described herein. It may be necessary to make modifications to the part and/or the documentation of the part in order to implement improvements. Pasternack Enterprises reserves the right to make such changes as required. Unless otherwise stated, all specifications are nominal. Pasternack Enterprises does not make any representation or warranty regarding the suitability of the part described herein for any particular purpose, and Pasternack Enterprises does not assume liability arising out of the use of any part or document.

# EZ-400-NMH-RA-X CAD Drawing

N Male Right Angle Connector Crimp/Non-Solder Contact Attachment for LMR-400, PE-C400, PE-B400, PE-B405



## Low Loss Flexible LMR-400-LLPX Plenum Rated Coax Cable Double Shielded with Red Fluoropolymer Jacket



### LMR-400-LLPX



### Times Microwave Systems Connector Specification

#### Configuration

- Low Loss, Plenum Flexible Cable
- 2 Shield(s)

#### Features

- UL CMP Plenum Rated
- Low Density PTFE Dielectric
- Low Loss
- Shielding >90 dB
- 1 Inch One Time Bend Radius
- Lightweight and Extremely Flexible

#### Applications

- Indoor Plenum Installations
- Land Mobile Radio (LMR)
- In-Building Wireless Systems

#### Description

Low Loss Flexible LMR-400-LLPX Plenum Rated Coax Cable Double Shielded with Red Fluoropolymer Jacket by Times Microwave is part of our full line of RF components available for same-day shipping. The LMR-400-LLPX coaxial cable features a low loss low density PTFE dielectric, a solid copper clad aluminum center conductor, and a dual shield of a tinned copper braid over aluminum tape. These design features combine to make the Times Microwave LMR-400-LLPX a flexible, low loss, and low PIM coax cable that is ideal for indoor plenum installations, land mobile radio (LMR), and in-building wireless systems. The red fluoropolymer jacket provides protection as well as resulting in a highly fire retardant cable.

Our datasheet specifications and drawing with dimensions for Times Microwave LMR-400-LLPX coax cable are shown below in this PDF. Whether the need is to provide a low PIM, low loss indoor cable run or simply create a custom cable assembly configuration, Pasternack has the right LMR-400-LLPX cable assembly for the job.

#### Electrical Specifications

| Description             | Minimum | Typical     | Maximum | Units        |
|-------------------------|---------|-------------|---------|--------------|
| Frequency Range         | DC      |             | 8       | GHz          |
| Impedance               |         | 50          |         | Ohms         |
| Velocity of Propagation |         | 76          |         | %            |
| Shielding Effectiveness | 90      |             |         | dB           |
| Nominal Capacitance     |         | 26.7 [87.6] |         | pF/ft [pF/m] |

#### Performance by Frequency Band

| Description           | F1   | F2   | F3   | F4   | F5    | Units    |
|-----------------------|------|------|------|------|-------|----------|
| Frequency             | 50   | 150  | 220  | 450  | 900   | MHz      |
| Attenuation, Typ      | 0.9  | 1.6  | 1.9  | 2.8  | 4     | dB/100ft |
|                       | 2.95 | 5.25 | 6.23 | 9.19 | 13.12 | dB/100m  |
| Input Power (CW), Max | 4.8  | 2.8  | 2.3  | 1.6  | 1.1   | kWatts   |

Low Loss Flexible LMR-400-LLPX Plenum Rated Coax Cable Double Shielded with Red Fluoropolymer Jacket



**LMR-400-LLPX**

| Description           | F6    | F7    | F8    | F9    | F10  | Units    |
|-----------------------|-------|-------|-------|-------|------|----------|
| Frequency             | 1     | 1.5   | 2     | 2.5   | 5.8  | GHz      |
| Attenuation, Typ      | 4.2   | 5.2   | 6.1   | 6.8   | 10.7 | dB/100ft |
|                       | 13.78 | 17.06 | 20.01 | 22.31 | 35.1 | dB/100m  |
| Input Power (CW), Max | 1,000 | 840   | 730   | 650   | 410  | Watts    |

**Mechanical Specifications**

|                             |                          |
|-----------------------------|--------------------------|
| Diameter                    | 0.37 in [9.4 mm]         |
| Weight                      | 0.104 lbs/ft [0.15 kg/m] |
| Min. Bend Radius (Repeated) | 4 in [101.6 mm]          |

**Construction Specifications**

| Description     | Material and Plating           | Diameter           |
|-----------------|--------------------------------|--------------------|
| Inner Conductor | Copper Clad Aluminum, 1 Strand | 0.095 in [2.41 mm] |
| Conductor Type  | Solid                          |                    |
| Dielectric      | PTFE (LD)                      | 0.285 in [7.24 mm] |
| First Shield    | Aluminum Tape                  |                    |
| Second Shield   | Tinned Copper Braid            |                    |
| Jacket          | Fluoropolymer, Red             | 0.37 in [9.4 mm]   |

**Environmental Specifications**

|                    |                  |
|--------------------|------------------|
| <b>Temperature</b> |                  |
| Operating Range    | -40 to 125 deg C |

**Compliance Certifications** (see [product page](#) for current document)

**Plotted and Other Data**

Notes:

## Low Loss Flexible LMR-400-LLPX Plenum Rated Coax Cable Double Shielded with Red Fluoropolymer Jacket



### LMR-400-LLPX

Low Loss Flexible LMR-400-LLPX Plenum Rated Coax Cable Double Shielded with Red Fluoropolymer Jacket from Pasternack Enterprises has same day shipment for domestic and International orders. Our RF, microwave and millimeter wave products maintain a 99.4% availability and are part of the broadest selection in the industry.

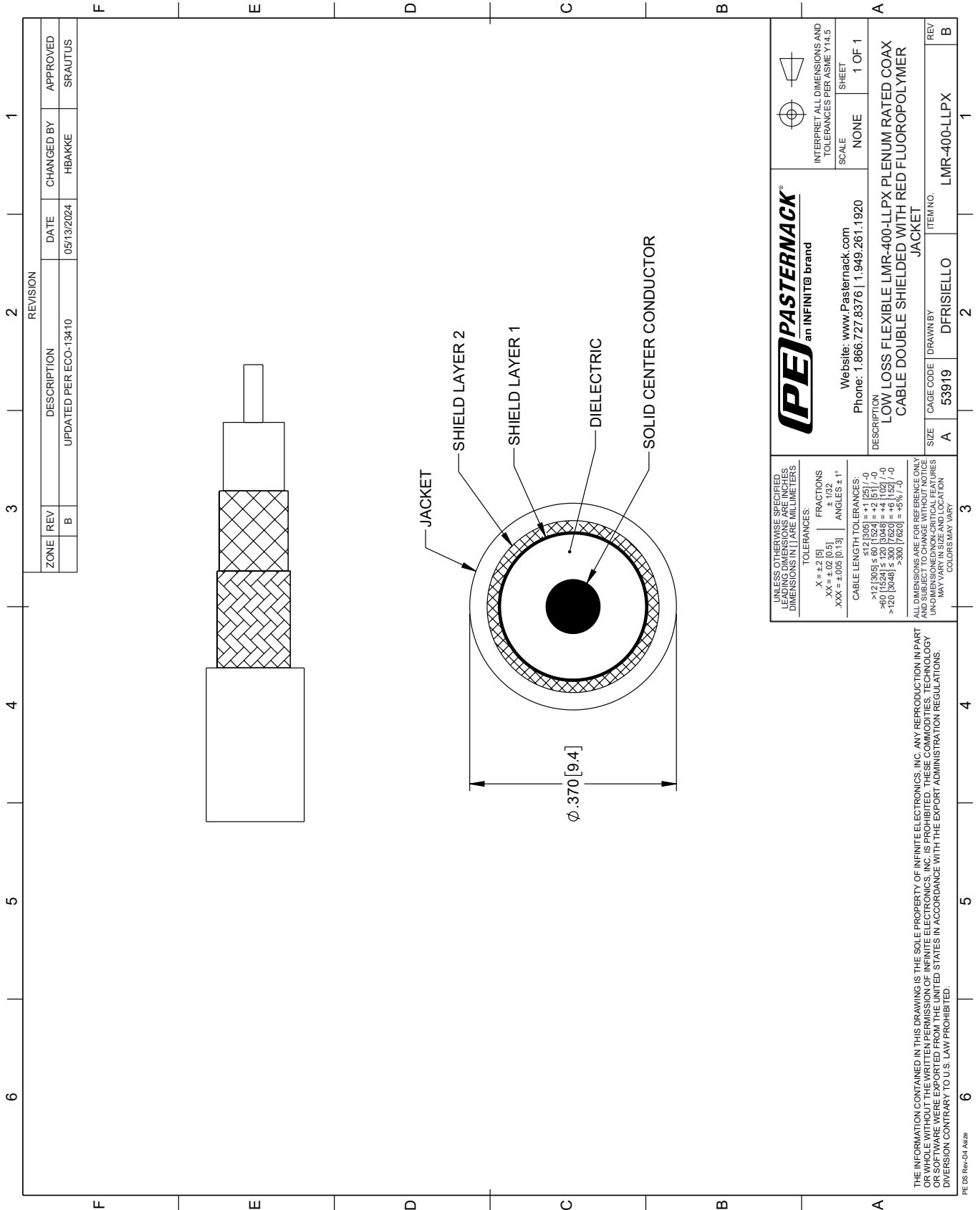
Click the following link (or enter part number in "SEARCH" on website) to obtain additional part information including price, inventory and certifications: [Low Loss Flexible LMR-400-LLPX Plenum Rated Coax Cable Double Shielded with Red Fluoropolymer Jacket LMR-400-LLPX](#)

URL: <https://www.pasternack.com/low-loss-flexible-lmr400llpx-fluoropolymer-jacket-aluminum-tape-over-tinned-copper-braid-outer-conductor-double-shielded-lmr-400-llpx-p.aspx>

The information contained within this document is accurate to the best of our knowledge and representative of the part described herein. It may be necessary to make modifications to the part and/or the documentation of the part in order to implement improvements. Pasternack Enterprises reserves the right to make such changes as required. Unless otherwise stated, all specifications are nominal. Pasternack Enterprises does not make any representation or warranty regarding the suitability of the part described herein for any particular purpose, and Pasternack Enterprises does not assume liability arising out of the use of any part or document.

# LMR-400-LLPX CAD Drawing

Low Loss Flexible LMR-400-LLPX Plenum Rated Coax Cable Double Shielded with Red Fluoropolymer Jacket



| REVISION |     | DATE                  | CHANGED BY | APPROVED   |          |
|----------|-----|-----------------------|------------|------------|----------|
| ZONE     | REV | DESCRIPTION           | DATE       | CHANGED BY | APPROVED |
|          | B   | UPDATED PER ECO-13410 | 05/13/2024 | HBAKKE     | SRAUTUS  |

**PE PASTERNAK**  
an INFINITE brand

Website: [www.Pasternack.com](http://www.Pasternack.com)  
Phone: 1.866.727.8376 | 1.949.261.1920

INTERPRET ALL DIMENSIONS AND TOLERANCES PER ASME Y14.5

SCALE: NONE  
SHEET: 1 OF 1

DESCRIPTION: LOW LOSS FLEXIBLE LMR-400-LLPX PLENUM RATED COAX CABLE DOUBLE SHIELDED WITH RED FLUOROPOLYMER JACKET

|      |           |            |              |
|------|-----------|------------|--------------|
| SIZE | CAGE CODE | DRAWN BY   | ITEM NO.     |
| A    | 53919     | DFRISIELLO | LMR-400-LLPX |

REV B

UNLESS OTHERWISE SPECIFIED, LEADING DIMENSIONS ARE IN INCHES. DIMENSIONS IN [ ] ARE MILLIMETERS.

TOLERANCES:  
 .X = ±.2 [5]  
 .XX = ±.02 [0.5]  
 .XXX = ±.005 [0.13]

FRACTIONS: ± 1/32  
 ANGLES ± 1°

CABLE LENGTH TOLERANCES:  
 ≤ 12 [305] ±.60 [15.24] = ±.2 [5.1] / -0  
 > 12 [305] ≤ 60 [1524] ±.12 [3.048] = ±.4 [10.2] / -0  
 > 60 [1524] ≤ 120 [3048] ±.24 [6.096] = ±.8 [20.3] / -0  
 > 120 [3048] ±.300 [7.620] = ±.9 [22.9] / -0

ALL DIMENSIONS ARE FOR REFERENCE ONLY. UNLESS OTHERWISE SPECIFIED, DIMENSIONS ARE NON-CRITICAL FEATURES. MAY VARY IN SIZE AND LOCATION. COLORS MAY VARY.

THE INFORMATION CONTAINED IN THIS DRAWING IS THE SOLE PROPERTY OF INFINITE ELECTRONICS, INC. ANY REPRODUCTION IN PART OR WHOLE WITHOUT THE WRITTEN PERMISSION OF INFINITE ELECTRONICS, INC. IS PROHIBITED. THESE COMMODITIES, TECHNOLOGY OR SERVICES WERE EXPORTED FROM THE UNITED STATES IN ACCORDANCE WITH THE EXPORT ADMINISTRATION REGULATIONS. DIVERSION CONTRARY TO U.S. LAW PROHIBITED.

PE DS Rev-04 Add2