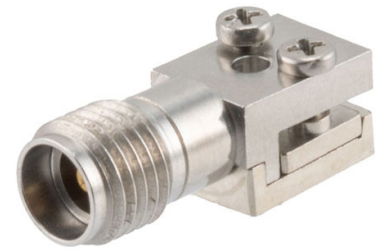


3.5mm Female 2 Hole PCB Narrow Body, 0.062 Inches End Launch PCB Connector, Solderless



PE45947

Configuration

- 3.5mm Female Connector
- 50 Ohms
- Straight Body Geometry
- 2 Hole Flange

Features

- Max. Operating Frequency 34 GHz
- Good VSWR of 1.3:1
- Gold Plated Beryllium Copper Contact

Applications

- General Purpose Test
- Rack and Panel Mount Applications
- PCB Applications

Description

Pasternack's PE45947, 3.5mm, Standard, connector with attachment for PCB is part of our full line of RF components available for same-day shipping. Our 3.5mm female connector operates up to a maximum frequency of 34 GHz and offers good VSWR of 1.3:1. This 3.5mm 2 hole flange connector allows designers to create external connections on their product enclosures, and can be used in a variety of other rack mount and panel mount applications.

Our 3.5mm female 2 hole flange connector PE45947 datasheet specifications and drawing with dimensions are shown below in this PDF. Pasternack's broad catalog of RF, microwave and millimeter wave connectors allows designers to configure and customize their signal connections however they like. Whether the need is to provide an I/O for a board design, or simply create a custom cable assembly configuration, Pasternack has the right connector for the job. Pasternack can also expertly build your custom cable assemblies for you and ship same-day.

Electrical Specifications

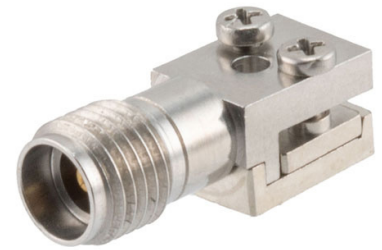
| Description | Minimum | Typical | Maximum | Units |
|--------------------------------------|---------|---------|---------|-------|
| Frequency Range | DC | | 34 | GHz |
| VSWR | | | 1.3:1 | |
| Operating Voltage (AC) | | | 335 | Vrms |
| Dielectric Withstanding Voltage (AC) | | | 1,000 | Vrms |
| Inner Conductor DC Resistance | | | 3 | mOhms |
| Outer Conductor DC Resistance | | | 2 | mOhms |
| Insulation Resistance | 5,000 | | | MOhms |
| RF Leakage | 100 | | | dB |
| Impedance | | 50 | | Ohms |

Mechanical Specifications

Size

| | |
|-----------------------|--------------------------------------|
| Length | 0.7 in [17.78 mm] |
| Width | 0.25 in [6.35 mm] |
| Height | 0.25 in [6.35 mm] |
| Weight | 0.035 lbs [15.88 g] |
| Mating Cycles | 500 Cycles |
| Mating Torque | 9.7 to 15 in-lbs [[1.10 to 1.70 Nm]] |
| Cable Retention Force | 6.1 lbs [2.77 kg] |

3.5mm Female 2 Hole PCB Narrow Body, 0.062 Inches
End Launch PCB Connector, Solderless



PE45947

Material Specifications

| Description | Material | Plating |
|-----------------|------------------|---------|
| Contact | Beryllium Copper | Gold |
| Insulation | Teflon | |
| Outer Conductor | Stainless Steel | |
| Body | Stainless Steel | |

Environmental Specifications

Temperature

Operating Range

-55 to +105 deg C

Humidity

MIL-STD-202, Method 106

Thermal Shock

MIL-STD-202, Method 107, Condition B

Salt Spray

MIL-STD-202, Method 101, Condition B

Compliance Certifications (see [product page](#) for current document)

Plotted and Other Data

Notes:

3.5mm Female 2 Hole PCB Narrow Body, 0.062 Inches End Launch PCB Connector, Solderless from Pasternack Enterprises has same day shipment for domestic and International orders. Our RF, microwave and millimeter wave products maintain a 99.4% availability and are part of the broadest selection in the industry.

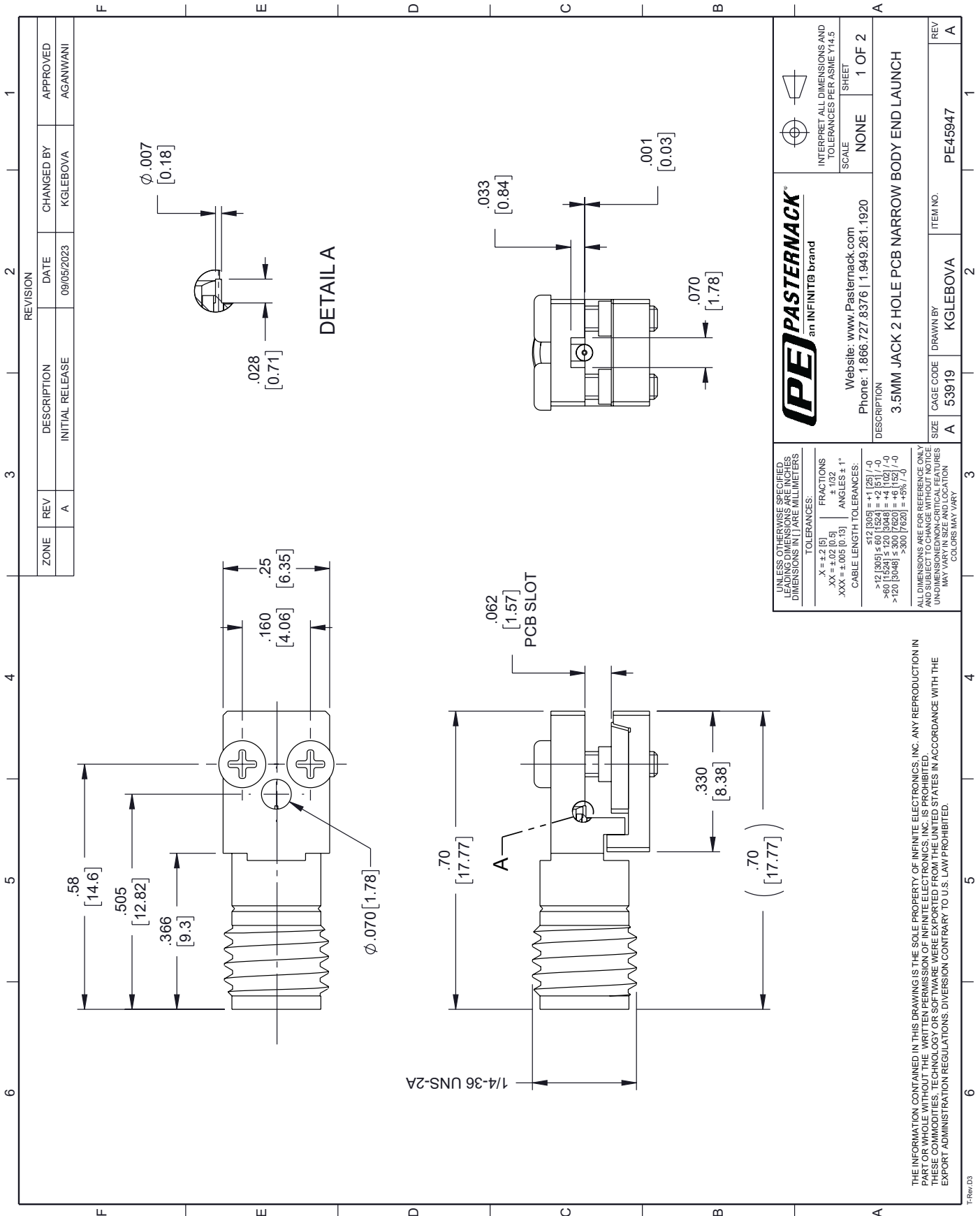
Click the following link (or enter part number in "SEARCH" on website) to obtain additional part information including price, inventory and certifications: [3.5mm Female 2 Hole PCB Narrow Body, 0.062 Inches End Launch PCB Connector, Solderless PE45947](#)

URL: <https://www.pasternack.com/3.5mm-female-pcb-connector-pe45947-p.aspx>

The information contained within this document is accurate to the best of our knowledge and representative of the part described herein. It may be necessary to make modifications to the part and/or the documentation of the part in order to implement improvements. Pasternack Enterprises reserves the right to make such changes as required. Unless otherwise stated, all specifications are nominal. Pasternack Enterprises does not make any representation or warranty regarding the suitability of the part described herein for any particular purpose, and Pasternack Enterprises does not assume liability arising out of the use of any part or document.

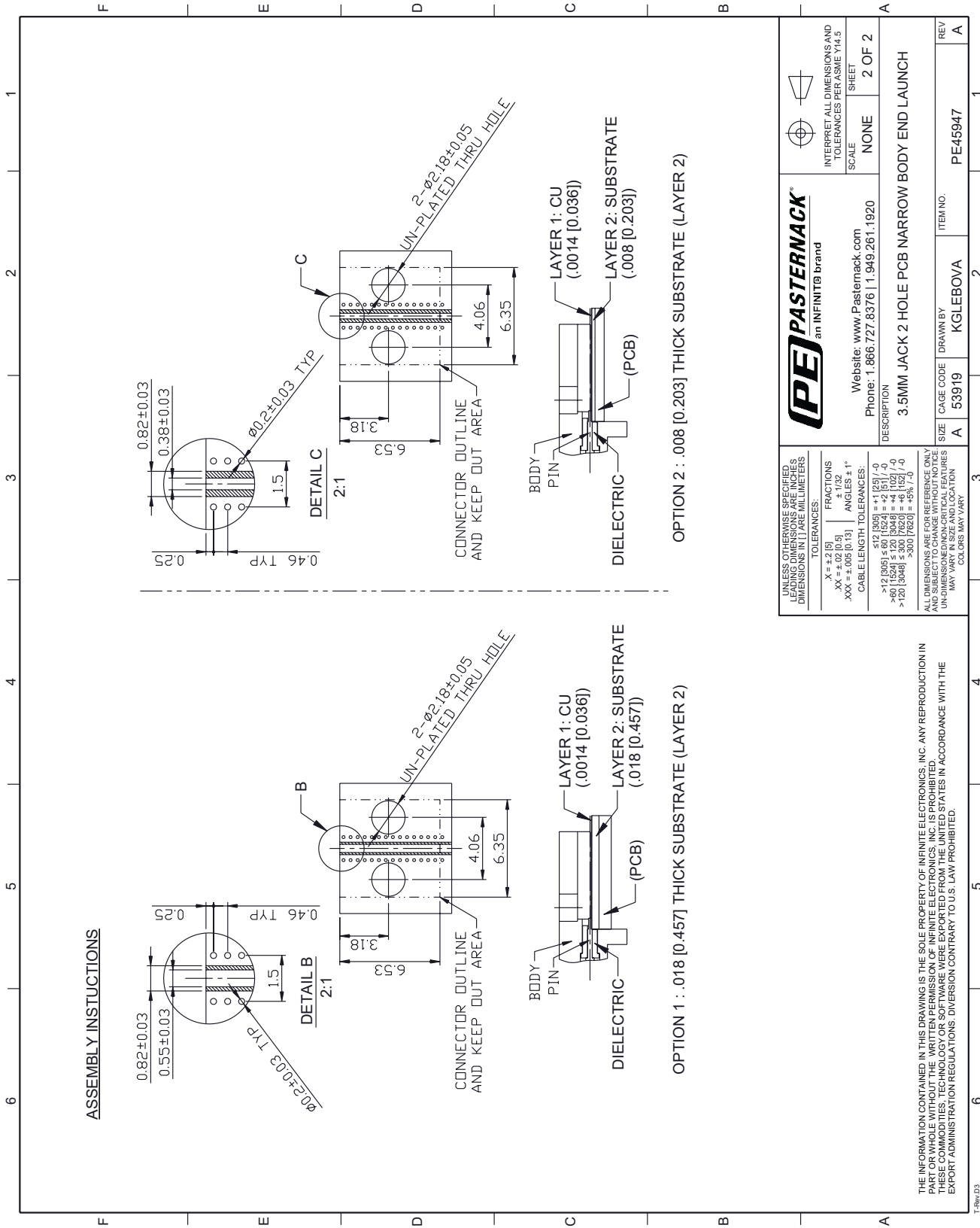
PE45947 CAD Drawing

3.5mm Female 2 Hole PCB Narrow Body, 0.062 Inches End Launch PCB Connector, Solderless



PE45947 CAD Drawing

3.5mm Female 2 Hole PCB Narrow Body, 0.062 Inches End Launch PCB Connector, Solderless



PE PASTERNAK
 an INFINIT® brand

INTERPRET ALL DIMENSIONS AND TOLERANCES PER ASME Y14.5

SCALE: NONE SHEET: 2 OF 2

Website: www.Pasternack.com
 Phone: 1.866.727.8376 | 1.949.261.1920

DESCRIPTION: 3.5MM JACK 2 HOLE PCB NARROW BODY END LAUNCH

| | | | | |
|------|------------|----------|----------|-----|
| SIZE | CAUSE CODE | DRAWN BY | ITEM NO. | REV |
| A | 53919 | KGLEBOVA | PE45947 | A |