



Non-Magnetic SMA Female Bulkhead Mount Connector, Crimp/Solder Attachment for RG174U .236 inch D Hole

RF Connectors Technical Data Sheet

PE45953

Configuration

- SMA Female Connector
- MIL-STD-348A
- 50 Ohms
- Straight Body Geometry

- Connector Interface Types: RG174, RG174NM
- Bulkhead
- Non-Magnetic Design

Features

- Max. Operating Frequency 6 GHz
- Good VSWR of 1.3:1

- Gold Plated Beryllium Copper Contact
- 50 µin minimum contact plating

Applications

- General Purpose Test
- Rack and Panel Mount Applications

- Custom Cable Assemblies
- Medical

- Quantum Computing
- Military and Aerospace

Description

Pasternack's PE45953, SMA, Non-Magnetic, Connector is part of our full line of RF components available for same-day shipping. Our SMA female connector operates up to a maximum frequency of 6 GHz and offers good VSWR of 1.3:1. This SMA bulkhead connector allows designers to create external connections on their product enclosures, and can be used in a variety of other rack mount and panel mount applications. Pasternack's Non Magnetic connectors are manufactured with materials that are especially adapted to non magnetism. Our non-magnetic connectors have a susceptibility of around 10^{-5} , as opposed to 10^{-2} for standard connectors made of brass/nickel materials. As a result, our non-magnetic connectors are transparent to the magnetic field, which means no field distortion and a higher Signal-to-Noise Ratio (SNR).

Our SMA female bulkhead connector PE45953 datasheet specifications and drawing with dimensions are shown below in this PDF. Pasternack's broad catalog of RF, microwave and millimeter wave connectors allows designers to configure and customize their signal connections however they like. Whether the need is to provide an I/O for a board design, or simply create a custom cable assembly configuration, Pasternack has the right connector for the job. Pasternack can also expertly build your custom cable assemblies for you and ship same-day.

Electrical Specifications

Description	Minimum	Typical	Maximum	Units
Frequency Range	DC		6	GHz
VSWR			1.3:1	
Operating Voltage (AC)			335	Vrms
Impedance		50		Ohms

Mechanical Specifications

Size

Length	0.70 in [17.70 mm]
Width	0.43 in [11.00 mm]
Height	0.43 in [11.00 mm]
Weight	0.02 lbs [8.16 g]

Click the following link (or enter part number in "SEARCH" on website) to obtain additional part information including price, inventory and certifications: [Non-Magnetic SMA Female Bulkhead Mount Connector, Crimp/Solder Attachment for RG174U .236 inch D Hole PE45953](#)



Non-Magnetic SMA Female Bulkhead Mount Connector,
Crimp/Solder Attachment for RG174U .236 inch D Hole

RF Connectors Technical Data Sheet

PE45953

Material Specifications

Description	Material	Plating
Contact	Beryllium Copper	Gold 50 µin minimum
Insulation	Teflon	
Outer Conductor	Beryllium Copper	Gold 3 µin minimum
Body	Beryllium Copper	Gold 3 µin minimum
Coupling Nut	Beryllium Copper	Gold 3 µin minimum
Gasket	Silicone	
Crimp Sleeve	Brass	Gold 3 µin minimum
Washer	Beryllium Copper	Gold 3 µin minimum

Environmental Specifications

Temperature

Operating Range -65 to +165 deg C

Compliance Certifications (see [product page](#) for current document)

Plotted and Other Data

Notes:

Click the following link (or enter part number in "SEARCH" on website) to obtain additional part information including price, inventory and certifications: [Non-Magnetic SMA Female Bulkhead Mount Connector, Crimp/Solder Attachment for RG174U .236 inch D Hole PE45953](#)



Non-Magnetic SMA Female Bulkhead Mount Connector,
Crimp/Solder Attachment for RG174U .236 inch D Hole

RF Connectors
Technical Data Sheet

PE45953

Non-Magnetic SMA Female Bulkhead Mount Connector, Crimp/Solder Attachment for RG174U .236 inch D Hole from Pasternack Enterprises has same day shipment for domestic and International orders. Our RF, microwave and millimeter wave products maintain a 99.4% availability and are part of the broadest selection in the industry.

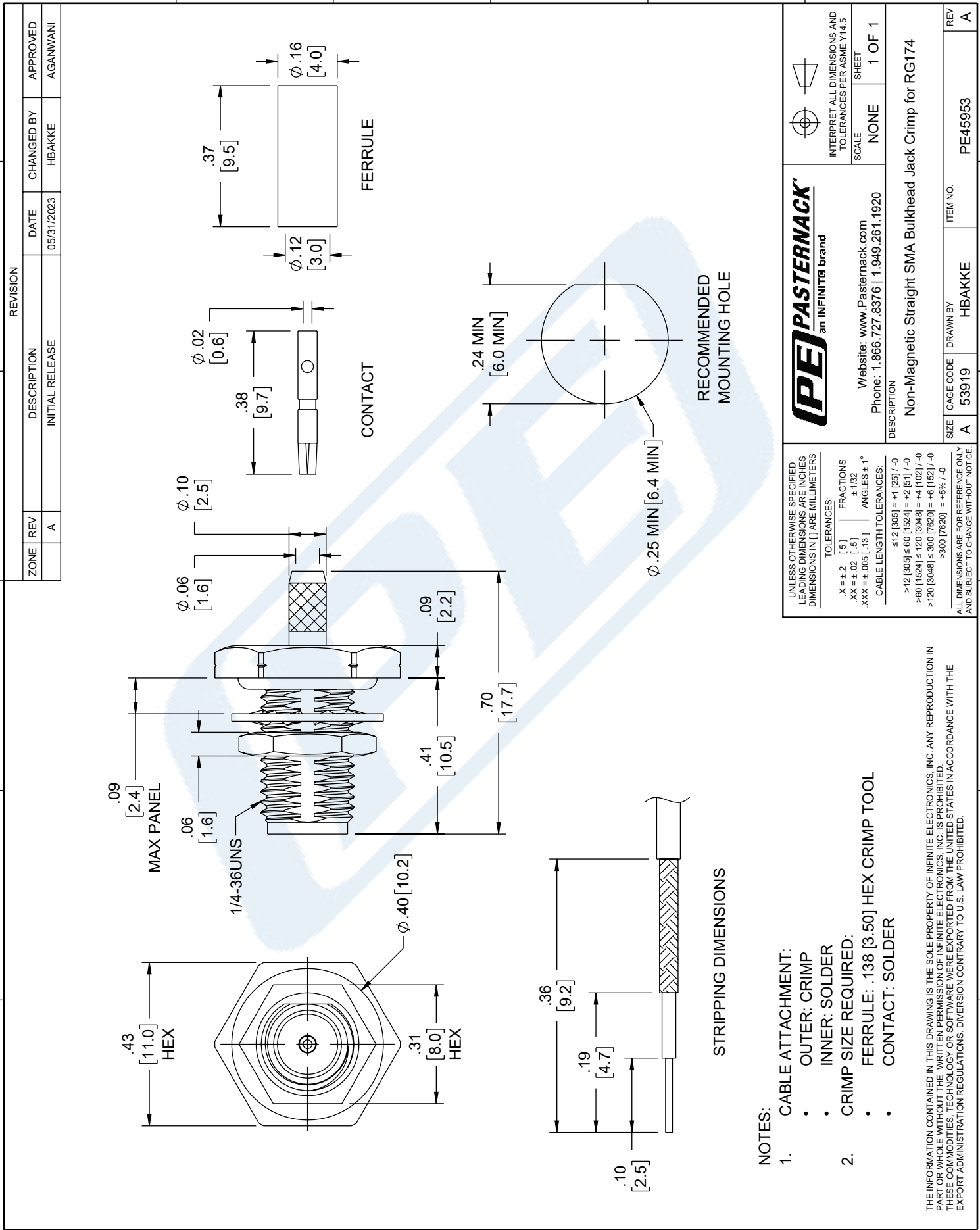
Click the following link (or enter part number in "SEARCH" on website) to obtain additional part information including price, inventory and certifications: [Non-Magnetic SMA Female Bulkhead Mount Connector, Crimp/Solder Attachment for RG174U .236 inch D Hole PE45953](#)

URL: <https://www.pasternack.com/sma-female-rg316-ds-rg188-ds-connector-pe45953-p.aspx>

The information contained in this document is accurate to the best of our knowledge and representative of the part described herein. It may be necessary to make modifications to the part and/or the documentation of the part, in order to implement improvements. Pasternack reserves the right to make such changes as required. Unless otherwise stated, all specifications are nominal. Pasternack does not make any representation or warranty regarding the suitability of the part described herein for any particular purpose, and Pasternack does not assume any liability arising out of the use of any part or documentation.

PE45953 CAD Drawing

Non-Magnetic SMA Female Bulkhead Mount Connector, Crimp/
Solder Attachment for RG174U .236 inch D Hole



NOTES:

1. CABLE ATTACHMENT:
 - OUTER: CRIMP
 - INNER: SOLDER
2. CRIMP SIZE REQUIRED:
 - FERRULE: .138 [3.50] HEX CRIMP TOOL
 - CONTACT: SOLDER

THE INFORMATION CONTAINED IN THIS DRAWING IS THE SOLE PROPERTY OF INFINITE ELECTRONICS, INC. ANY REPRODUCTION IN PART OR WHOLE WITHOUT THE WRITTEN PERMISSION OF INFINITE ELECTRONICS, INC. IS PROHIBITED. THESE COMMODITIES, TECHNOLOGY OR SOFTWARE WERE EXPORTED FROM THE UNITED STATES IN ACCORDANCE WITH THE EXPORT ADMINISTRATION REGULATIONS. DIVERSION CONTRARY TO U.S. LAW PROHIBITED.