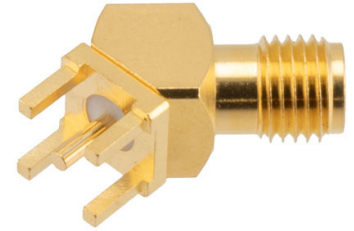


SMA Female PCB Mount Connector, 45 Degree angle with round contact 0.05 inches diameter, 27GHz VSWR1.3



PE45996

Configuration

- SMA Female Connector
- 50 Ohms
- 45 Degree Body Geometry
- PCB

Features

- Max. Operating Frequency 27 GHz
- Good VSWR of 1.3:1
- Gold over Nickel over Copper Plated Beryllium Copper Contact

Applications

- General Purpose Test

Description

Pasternack's PE45996 45 Degree SMA Connector is part of our full line of RF components available for same-day shipping. Our SMA female connector operates up to a maximum frequency of 27 GHz and offers good VSWR of 1.3:1.

Our SMA female 45 degree PCB connector PE45996 datasheet specifications and drawing with dimensions are shown below in this PDF. Pasternack's broad catalog of RF, microwave and millimeter wave connectors allows designers to configure and customize their signal connections however they like. Whether the need is to provide an I/O for a board design, or simply create a custom cable assembly configuration, Pasternack has the right connector for the job. Pasternack can also expertly build your custom cable assemblies for you and ship same-day.

Electrical Specifications

Description	Minimum	Typical	Maximum	Units
Frequency Range	DC		27	GHz
VSWR			1.3:1	
Insertion Loss			0.2	dB
Dielectric Withstanding Voltage (AC)			1,500	Vrms
Inner Conductor DC Resistance			3	mOhms
Outer Conductor DC Resistance			2	mOhms
Insulation Resistance	5,000			MOhms
Impedance		50		Ohms

Performance by Frequency

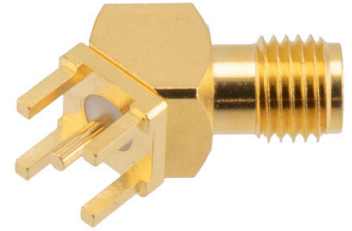
Description	F1	F2	F3	F4	F5	Units
Frequency Range	DC to 18	18 to 27				GHz
VSWR, Max	1.2:1	1.3:1				

Mechanical Specifications

Size

Length	0.454 in [11.53 mm]
Width	0.276 in [7.01 mm]
Height	0.571 in [14.5 mm]
Weight	0.011 lbs [4.99 g]

SMA Female PCB Mount Connector, 45 Degree angle with round contact 0.05 inches diameter, 27GHz VSWR1.3



PE45996

Mating Cycles	100 Cycles
---------------	------------

Material Specifications

Description	Material	Plating
Contact	Beryllium Copper	Gold over Nickel over Copper
Insulation	Teflon	
Body	Brass	Gold over Nickel over Copper
Crimp Sleeve	Brass	Gold over Nickel over Copper

Environmental Specifications

Temperature	
Operating Range	-65 to +165 deg C
Humidity	MIL-STD-202, Method 106
Thermal Shock	MIL-STD-202, Method 107, Condition B
Salt Spray	MIL-STD-202, Method 101, Condition B

Compliance Certifications (see [product page](#) for current document)

Plotted and Other Data

Notes:

SMA Female PCB Mount Connector, 45 Degree angle with round contact 0.05 inches diameter, 27GHz VSWR1.3 from Pasternack Enterprises has same day shipment for domestic and International orders. Our RF, microwave and millimeter wave products maintain a 99.4% availability and are part of the broadest selection in the industry.

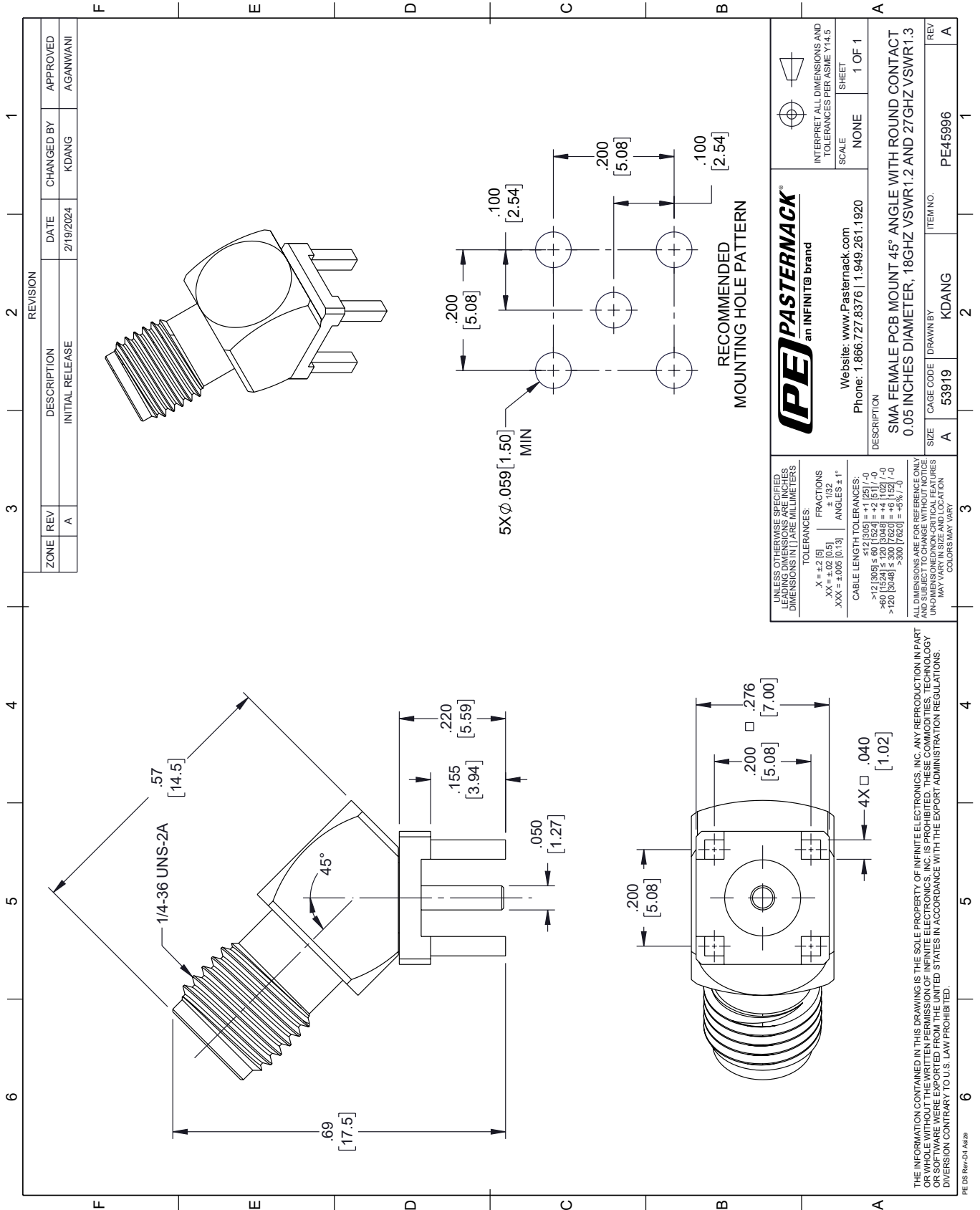
Click the following link (or enter part number in "SEARCH" on website) to obtain additional part information including price, inventory and certifications: [SMA Female PCB Mount Connector, 45 Degree angle with round contact 0.05 inches diameter, 27GHz VSWR1.3 PE45996](#)

URL: <https://www.pasternack.com/sma-female-connector-pe45996-p.aspx>

The information contained within this document is accurate to the best of our knowledge and representative of the part described herein. It may be necessary to make modifications to the part and/or the documentation of the part in order to implement improvements. Pasternack Enterprises reserves the right to make such changes as required. Unless otherwise stated, all specifications are nominal. Pasternack Enterprises does not make any representation or warranty regarding the suitability of the part described herein for any particular purpose, and Pasternack Enterprises does not assume liability arising out of the use of any part or document.

PE45996 CAD Drawing

SMA Female PCB Mount Connector, 45 Degree angle with round contact 0.05 inches diameter, 27GHz VSWR1.3



ZONE		REV	DESCRIPTION	DATE	CHANGED BY	APPROVED
		A	INITIAL RELEASE	2/19/2024	KDANG	AGANWANI

REVISION	
1	

PE PASTERNAK
an INFINITE brand

Website: www.Pasternack.com
Phone: 1.866.727.8376 | 1.949.261.1920

INTERPRET ALL DIMENSIONS AND TOLERANCES PER ASME Y14.5
SCALE: NONE
SHEET: 1 OF 1

UNLESS OTHERWISE SPECIFIED, LEADING DIMENSIONS ARE IN INCHES, DIMENSIONS IN [] ARE MILLIMETERS.
TOLERANCES: X = ±.2 [5] FRACTIONS ±.132
.XX = ±.02 [0.5] ANGLES ± 1°
.XXX = ±.005 [0.13]
CABLE LENGTH TOLERANCES: >12 [305] ≤ 60 [1524] = ±.1 [25] / -0
>60 [1524] ≤ 120 [3048] = ±.4 [102] / -0
>120 [3048] ≤ 300 [7620] = ±.6 [152] / -0
ALL DIMENSIONS ARE FOR REFERENCE ONLY. UNDIMENSIONED NON-CRITICAL FEATURES MAY VARY IN SIZE AND LOCATION. COLORS MAY VARY.

DESCRIPTION: SMA FEMALE PCB MOUNT 45° ANGLE WITH ROUND CONTACT 0.05 INCHES DIAMETER, 18GHZ VSWR1.2 AND 27GHZ VSWR1.3
SIZE: A
CAGE CODE: 53919
DRAWN BY: KDANG
ITEM NO.: PE45996
REV: A

THE INFORMATION CONTAINED IN THIS DRAWING IS THE SOLE PROPERTY OF INFINITE ELECTRONICS, INC. ANY REPRODUCTION IN PART OR WHOLE WITHOUT THE WRITTEN PERMISSION OF INFINITE ELECTRONICS, INC. IS PROHIBITED. THESE COMMODITIES, TECHNOLOGY OR SOFTWARE ARE EXPORTED FROM THE UNITED STATES IN ACCORDANCE WITH THE EXPORT ADMINISTRATION REGULATIONS. DIVISION CONTRARY TO U.S. LAW PROHIBITED.

PE DS Rev-D4 Add2