

Mini SMP (SMPM) Male Smooth Bore VITA  
67.3 Connector Solder Attachment for PE-P047,  
PE-P047HF, PE-P047LL, PE-P047FLX



**PE49819**

**Configuration**

- Smooth Bore Mini SMP Male Connector
- 50 Ohms
- Straight Body Geometry
- Connector Interface Types: PE-P047, PE-P047HF, PE-P047LL, PE-P047FLX, FM-SR047ALTN-COIL, FM-SR047CU-COIL, FM-SR047CUTN-COIL
- VITA 67 Design

**Features**

- Max. Operating Frequency 40 GHz
- Good VSWR of 1.4:1
- Gold Plated Beryllium Copper Contact
- Blind Mate Connector

**Applications**

- General Purpose Test
- Custom Cable Assemblies
- VITA 67.3 Plug-In
- High Density Applications

**Description**

Pasternack's PE49819 Mini SMP male smooth bore VITA 67.3 connector with solder attachment for PE-P086, PE-P086HF, PE-P086LL, and PE-P086FLX is part of our full line of RF components available for same-day shipping. Our Mini SMP male smooth bore VITA 67.3 connector operates up to a maximum frequency of 40 GHz and offers excellent VSWR of 1.4:1. The Pasternack blind mate connector is ideal for applications where direct visual or tactile access to the connection point is not possible, for example, when two circuit boards need to be mated.

Our Mini SMP male smooth bore VITA 67.3 connector PE49819 datasheet specifications and drawing with dimensions are shown below in this PDF. Pasternack's broad catalog of RF, microwave and millimeter wave connectors allows designers to configure and customize their signal connections however they like. Whether the need is to provide an I/O for a board design, or simply create a custom cable assembly configuration, Pasternack has the right connector for the job. Pasternack can also expertly build your custom cable assemblies for you and ship same-day.

**Electrical Specifications**

Description	Minimum	Typical	Maximum	Units
Frequency Range	DC		40	GHz
VSWR			1.4:1	
Impedance		50		Ohms

**Mechanical Specifications**

**Size**

- Length 0.45 in [11.43 mm]
- Width 0.17 in [4.32 mm]
- Height 0.17 in [4.32 mm]
- Weight 0.0016 lbs [0.73 g]

Mini SMP (SMPM) Male Smooth Bore VITA 67.3 Connector Solder Attachment for PE-P047, PE-P047HF, PE-P047LL, PE-P047FLX



## PE49819

### Material Specifications

Description	Material	Plating
Contact	Beryllium Copper	Gold
Insulation	PTFE	
Outer Conductor	Passivated Stainless Steel	
Body	Passivated Stainless Steel	

Mechanical Specification Notes:  
500 mating cycles when mated with a Smooth Bore connector.

### Environmental Specifications

#### Temperature

Operating Range

-65 to +165 deg C

Humidity

MIL-STD-202, Method 106, Less Step 7B

Shock

MIL-STD-202, Method 213, Condition I

Vibration

MIL-STD-202, Method 204, Condition D

Thermal Shock

MIL-STD-202, Method 107, Condition B

**Compliance Certifications** (see [product page](#) for current document)

### Plotted and Other Data

Notes:

- PE49819 works with PE49823 Mini SMP VITA 67.3 10 Port Plug-In Module C and PE49825 Mini SMP VITA 67.3 14 Port Plug-In Module C

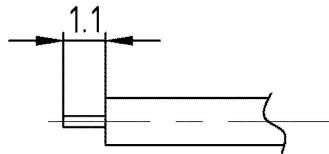
Mini SMP (SMPM) Male Smooth Bore VITA  
67.3 Connector Solder Attachment for PE-P047,  
PE-P047HF, PE-P047LL, PE-P047FLX



## PE49819

### Assembly Instruction

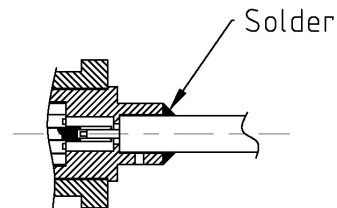
#### Cable Assembly Instructions



Trim insulator and outer conductor to dimensions shown.  
Be careful not to nick the center conductor.

**NOTE:**

To minimize cable dielectric growth during soldering operation,  
normalize cable thermal cycle per MIL-DTL-17 prior to final trim.



Insert cable into body, until outer conductor flush with body.  
Solder outer conductor to body.

**NOTE:**

For PE49817, PE49819 and PE49829

Mini SMP (SMPM) Male Smooth Bore VITA  
67.3 Connector Solder Attachment for PE-P047,  
PE-P047HF, PE-P047LL, PE-P047FLX



**PE49819**

Mini SMP (SMPM) Male Smooth Bore VITA 67.3 Connector Solder Attachment for PE-P047, PE-P047HF, PE-P047LL, PE-P047FLX from Pasternack Enterprises has same day shipment for domestic and International orders. Our RF, microwave and millimeter wave products maintain a 99.4% availability and are part of the broadest selection in the industry.

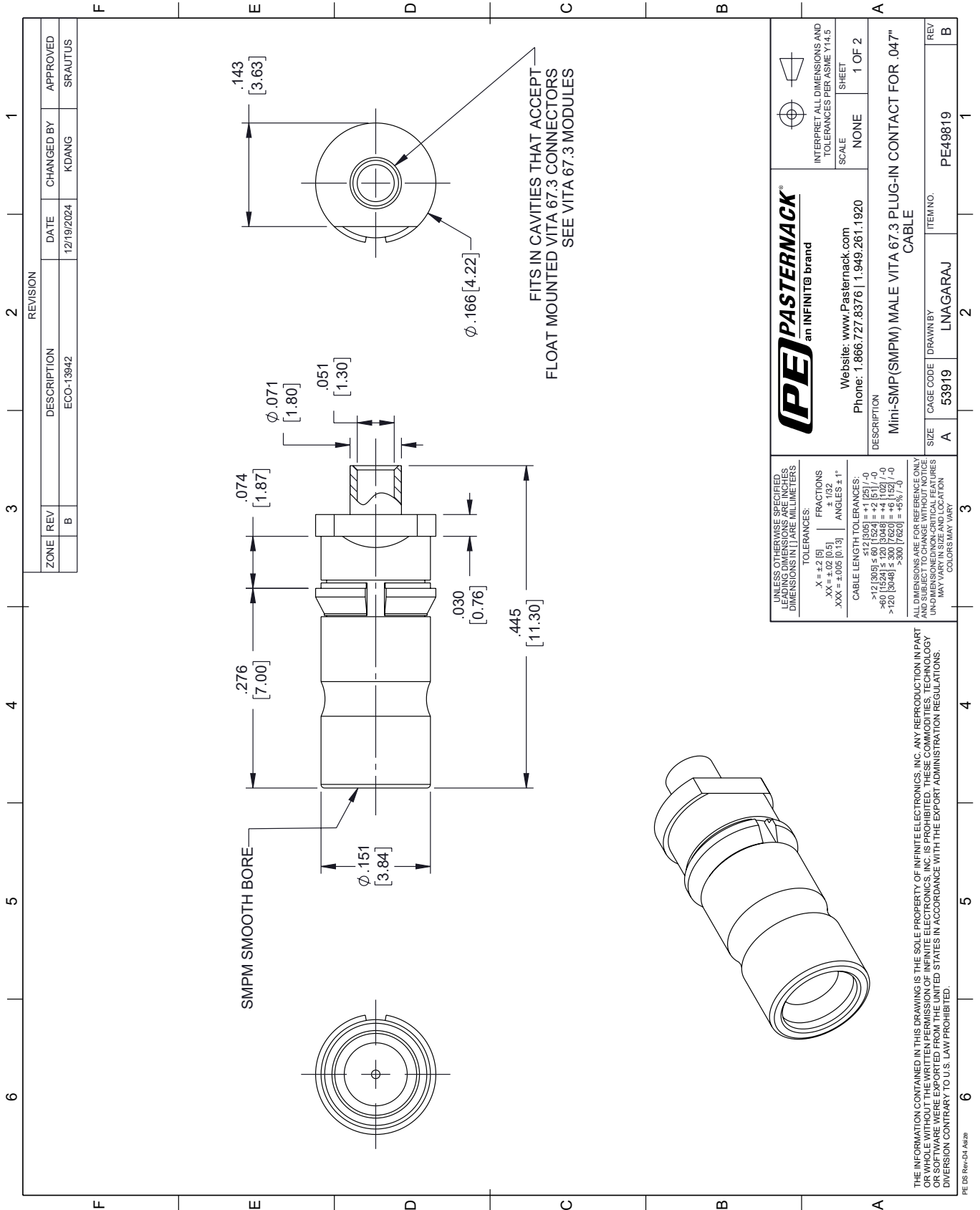
Click the following link (or enter part number in "SEARCH" on website) to obtain additional part information including price, inventory and certifications: [Mini SMP \(SMPM\) Male Smooth Bore VITA 67.3 Connector Solder Attachment for PE-P047, PE-P047HF, PE-P047LL, PE-P047FLX PE49819](https://www.pasternack.com/mini-smp-male-smooth-bore-pe-p047-pe-p047hf-connector-pe49819.html)

URL: <https://www.pasternack.com/mini-smp-male-smooth-bore-pe-p047-pe-p047hf-connector-pe49819.html>

The information contained within this document is accurate to the best of our knowledge and representative of the part described herein. It may be necessary to make modifications to the part and/or the documentation of the part in order to implement improvements. Pasternack Enterprises reserves the right to make such changes as required. Unless otherwise stated, all specifications are nominal. Pasternack Enterprises does not make any representation or warranty regarding the suitability of the part described herein for any particular purpose, and Pasternack Enterprises does not assume liability arising out of the use of any part or document.

# PE49819 CAD Drawing

Mini SMP (SMPM) Male Smooth Bore VITA 67.3 Connector Solder Attachment  
for PE-P047, PE-P047HF, PE-P047LL, PE-P047FLX



**PE PASTERNAK**  
an INFINITI® brand

Website: [www.Pasternack.com](http://www.Pasternack.com)  
Phone: 1.866.727.8376 | 1.949.261.1920

INTERPRET ALL DIMENSIONS AND TOLERANCES PER ASME Y14.5  
SCALE NONE  
SHEET 1 OF 2

DESCRIPTION: Mini-SMP(SMPM) MALE VITA 67.3 PLUG-IN CONTACT FOR .047" CABLE  
ITEM NO. PE49819  
CAGE CODE LNAGARAJ  
SIZE A 53919  
DRAWN BY LNAGARAJ

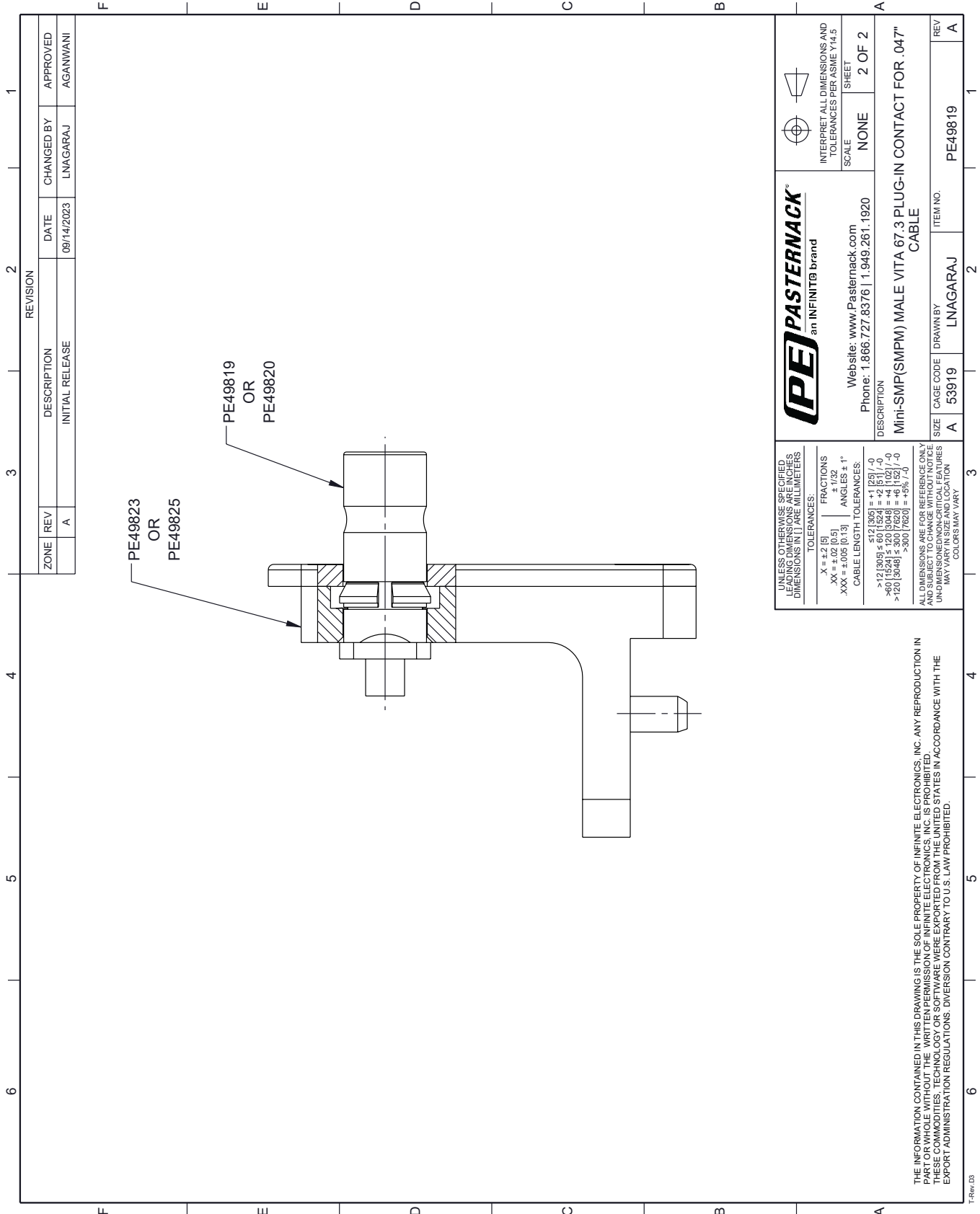
UNLESS OTHERWISE SPECIFIED, LEADING DIMENSIONS ARE IN INCHES, DIMENSIONS IN [ ] ARE MILLIMETERS.  
TOLERANCES: X = ±.2 [5] ±.132  
XX = ±.02 [0.51] ±.005  
XXX = ±.005 [0.13] ±.001  
FRACTIONS: ±.132  
ANGLES ± 1°  
CABLE LENGTH TOLERANCES:  
≤ 12 [305] ±.60 [15.24] = ±.2 [5.1] / -0  
> 12 [305] ≤ 60 [1524] = ±.4 [10.2] / -0  
> 60 [1524] ≤ 120 [3048] = ±.4 [10.2] / -0  
> 120 [3048] ≤ 300 [7620] = ±.6 [15.2] / -0  
ALL DIMENSIONS ARE FOR REFERENCE ONLY. UNDIMENSIONED/NON-CRITICAL FEATURES MAY VARY IN SIZE AND LOCATION. COLORS MAY VARY.

THE INFORMATION CONTAINED IN THIS DRAWING IS THE SOLE PROPERTY OF INFINITE ELECTRONICS, INC. ANY REPRODUCTION IN PART OR WHOLE WITHOUT THE WRITTEN PERMISSION OF INFINITE ELECTRONICS, INC. IS PROHIBITED. THESE COMMODITIES, TECHNOLOGY OR SERVICES ARE EXPORTED FROM THE UNITED STATES IN ACCORDANCE WITH THE EXPORT ADMINISTRATION REGULATIONS. DIVERSION CONTRARY TO U.S. LAW PROHIBITED.

PE DS Rev-04 Add2

# PE49819 CAD Drawing

Mini SMP (SMPM) Male Smooth Bore VITA 67.3 Connector Solder Attachment for PE-P047, PE-P047HF, PE-P047LL, PE-P047FLX



ZONE		REV	DESCRIPTION	DATE	CHANGED BY	APPROVED
		A	INITIAL RELEASE	08/14/2023	LNAGARAJ	AGANWANI

REVISION	
1	

		INTERPRET ALL DIMENSIONS AND TOLERANCES PER ASME Y14.5 SCALE: NONE SHEET: 2 OF 2	
Website: <a href="http://www.Pastermack.com">www.Pastermack.com</a> Phone: 1.866.727.8376   1.949.261.1920		DESCRIPTION: Mini-SMP(SMPM) MALE VITA 67.3 PLUG-IN CONTACT FOR .047" CABLE	
UNLESS OTHERWISE SPECIFIED LEADING DIMENSIONS ARE IN INCHES DIMENSIONS IN [ ] ARE MILLIMETERS TOLERANCES: .X = ±.2 [5] .XX = ±.02 [0.5] .XXX = ±.005 [0.13]		FRACTIONS: ± 1/32 ANGLES: ± 1° CABLE LENGTH TOLERANCES: ≤ 12 [305] = ±.12 [3.05] > 12 [305] ≤ 60 [1524] = ±.25 [6.35] > 60 [1524] ≤ 120 [3048] = ±.4 [102] > 120 [3048] ≤ 300 [7620] = ±.5% [1.5]	
ALL DIMENSIONS ARE FOR REFERENCE ONLY UNLESS OTHERWISE SPECIFIED UNDIMENSIONED NON-CRITICAL FEATURES MAY VARY IN SIZE AND LOCATION COLORS MAY VARY		CAGE CODE: 53919 DRAWN BY: LNAGARAJ ITEM NO.: PE49819	

THE INFORMATION CONTAINED IN THIS DRAWING IS THE SOLE PROPERTY OF INFINITE ELECTRONICS, INC. ANY REPRODUCTION IN PART OR WHOLE WITHOUT THE WRITTEN PERMISSION OF INFINITE ELECTRONICS, INC. IS PROHIBITED. THESE COMMODITIES, TECHNOLOGY OR SOFTWARE WERE EXPORTED FROM THE UNITED STATES IN ACCORDANCE WITH THE EXPORT ADMINISTRATION REGULATIONS. DIVERSION CONTRARY TO U.S. LAW PROHIBITED.